

# Manifold and Rack Kit

Model T6000  
Model T7800  
Model T7950  
Model T8000



## General Information

### MANIFOLD KITS

#### *T6000, T7800 and T7950 Transducers*

Current to Pneumatic (I/P or E/P)

The Manifold Kits for the T6000, T7800 and T7950 Series Transducers are available for mounting 3, 5, 10 or 15 transducer units. These manifolds have a common supply port to all the transducers. Internal check valves in the inlet and outlet ports permit the installation and removal of individual transducers without affecting other units on the manifold.

Supply port connections are provided on the end and rear of the manifold. Outlet ports are located on the rear and bottom of the manifold. Mounting brackets for flush or extended mounting from the back wall are available. These options allow the user to select the combination of supply ports, outlet ports and mounting configurations to maximize usage of available space.

#### *T8000 Series Transducers*

Pneumatic to Current (P/I)

Manifold kits for the T8000 Series Transducers are also available for mounting 3, 5, 10 or 15 transducer units. All input ports on the manifold have internal check valves to seal off the input signal(s) if a transducer is removed from the manifold.

Since each housing may contain two individual P/I transducers, the quantity of P/I's on the manifold has the capability of doubling. Rear and bottom input port connections and flush or extended mounting brackets allow the user to configure the manifold to maximize the use of available space.

E

Models  
T6000  
T7800  
T7950  
T8000



### RACK KITS

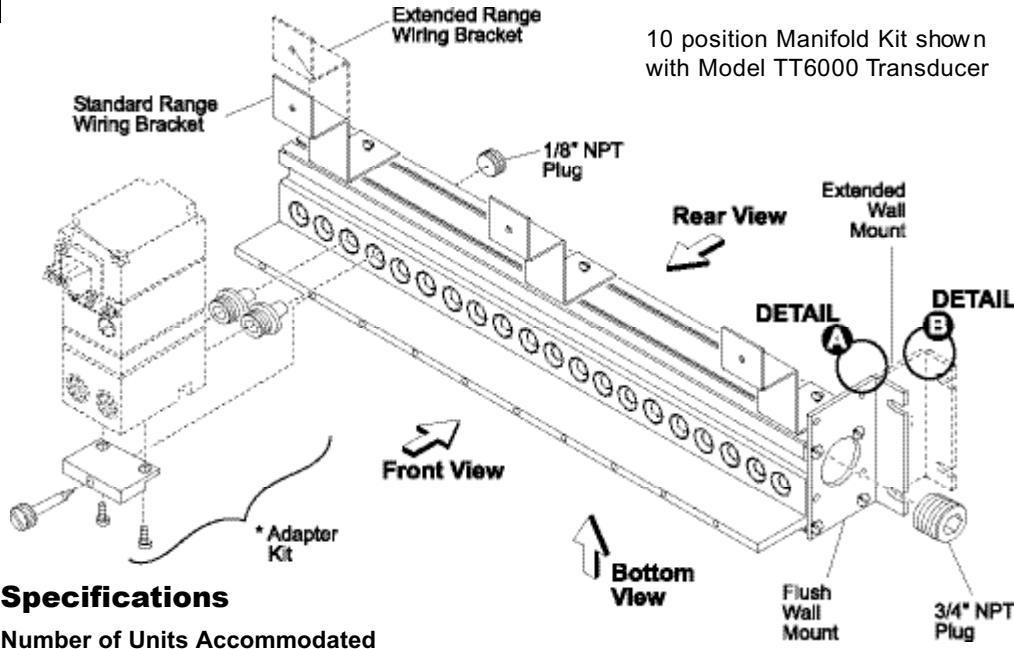
#### *T6000, T7800 and T8000 Transducers*

All T6000, T7800 and T8000 Rack Kits utilize a 10 unit manifold described in the above manifold kits. The rack kit includes additional hardware to permit installation in a standard 19" Rack.

It is suggested that transducers used with rack kits include the "R" option. This option faces the electrical terminal block connector to the rear of the transducer permitting connections to the transducer to be made from the rear of the rack.

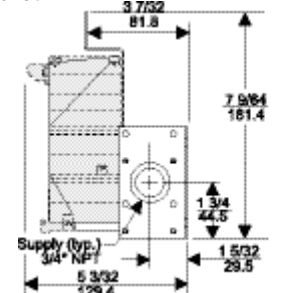
Manifold Kits

Model T6000, T7950 & T7800 Current to Pneumatic

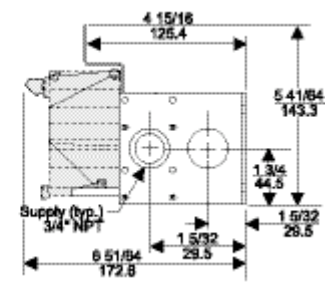


10 position Manifold Kit shown with Model TT6000 Transducer

**Detail A** - Extended Range Unit shown with Flush Wall Mount Bracket.



**Detail B** - Standard Range Unit shown with Extended Wall Mount Bracket.



Specifications

Number of Units Accommodated

3, 5, 10 or 15

Check Valves (Internal)

Inlet and outlet ports

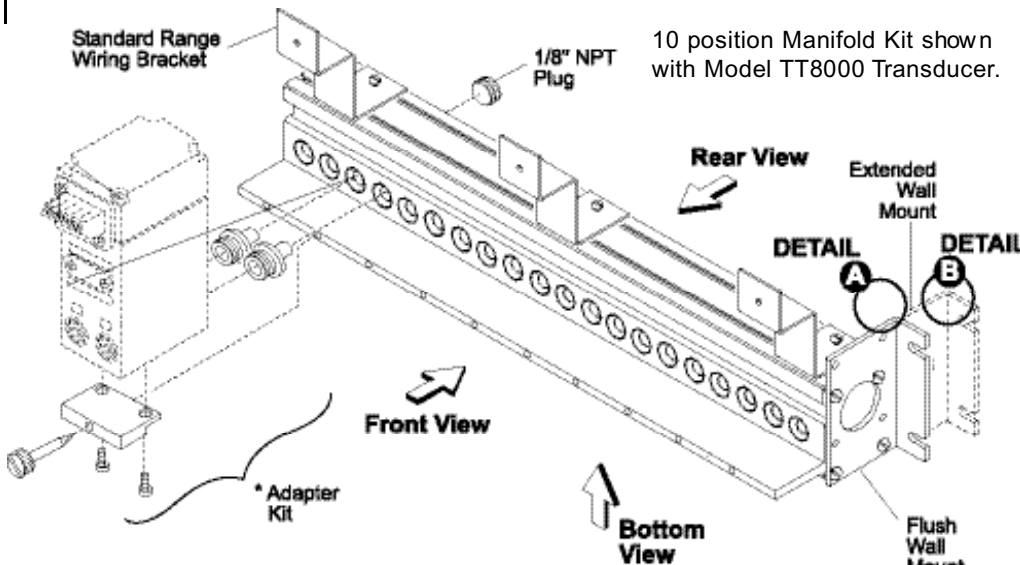
Supply Ports

3/4" NPT on manifold ends (2) 3/8" NPT on rear

Outlet Ports

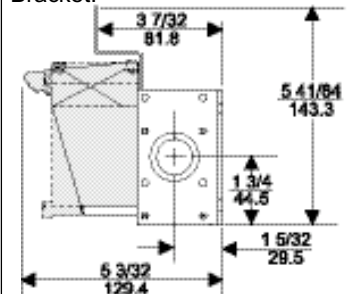
1/8" NPT vertically on the bottom, 1/8" NPT horizontally on the rear

Model T8000 Pneumatic to Current

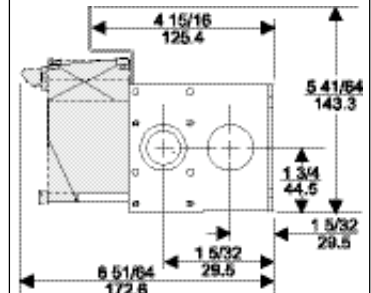


10 position Manifold Kit shown with Model TT8000 Transducer.

**Detail A** - Standard Range Unit shown with Flush Wall Mount Bracket.



**Detail B** - Standard Range Unit shown with Extended Wall Mount Bracket.



Specifications

Number of Units Accommodated

3, 5, 10 or 15

Check Valves (Internal)

Inlet ports

Inlet Ports

1/8" NPT vertically on the bottom, 1/8" NPT horizontally on the rear

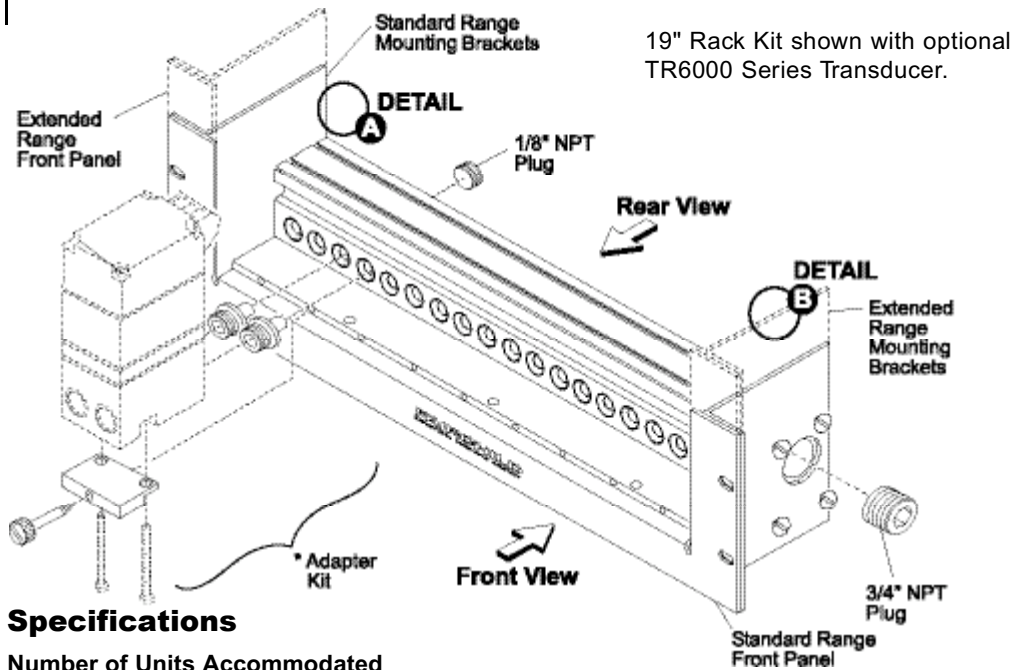
Models  
T6000  
T7800  
T7950  
T8000



# Manifold and Rack Kit

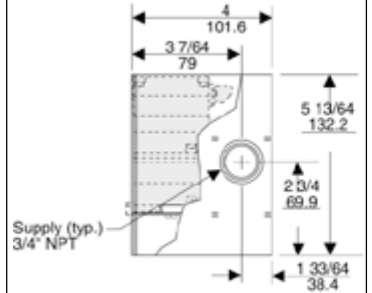
## Rack Kits: Dimensions

### Model T6000 & T7800 Current to Pneumatic

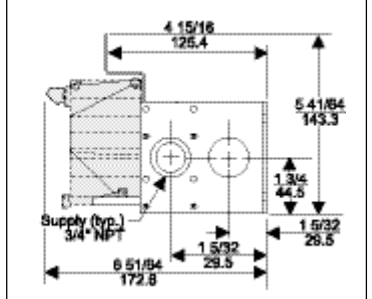


19" Rack Kit shown with optional TR6000 Series Transducer.

**Detail A** - Standard Range Front Panel shown with Standard Range Mounting Brackets



**Detail B** - Extended Range Front Panel shown with Extended Range Mounting Brackets



### Specifications

**Number of Units Accommodated**

Up to 10

**Check Valves (Internal)**

Inlet and outlet ports

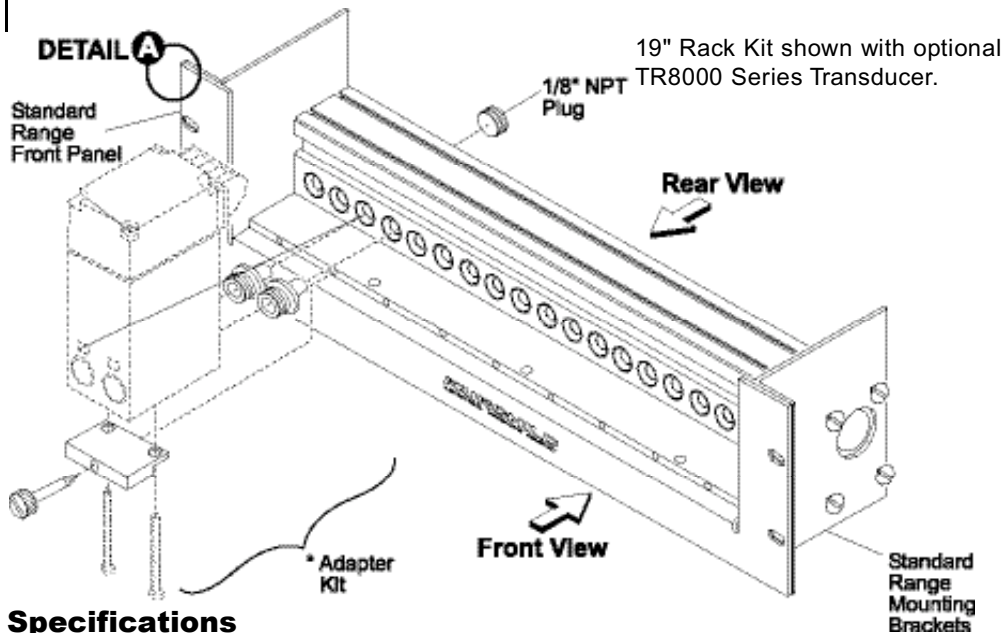
**Supply Ports**

3/4" NPT on manifold ends, (2) 3/8" NPT on rear

**Outlet Ports**

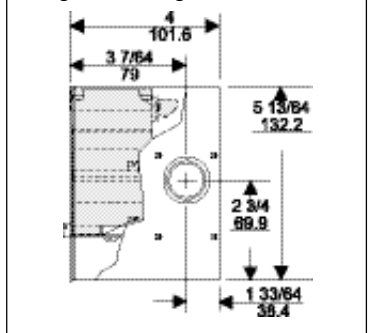
1/8" NPT vertically on the bottom, 1/8" NPT horizontally on the rear

### Model T8000 Pneumatic to Current



19" Rack Kit shown with optional TR8000 Series Transducer.

**Detail A** - Standard Range Front Panel shown with Standard Range Mounting Brackets



### Specifications

**Number of Units Accommodated**

Up to 10

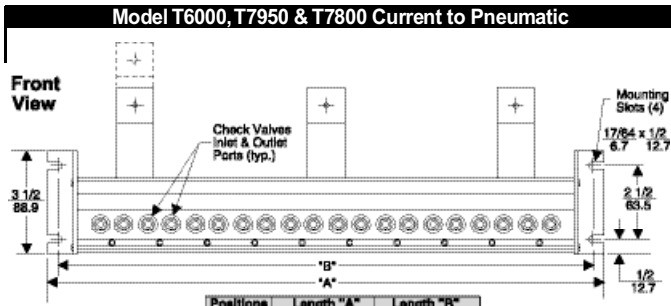
**Check Valves (Internal)**

Inlet ports

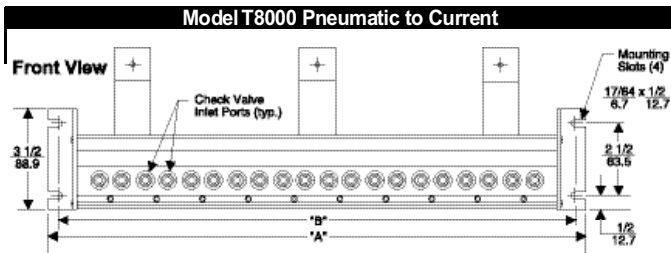
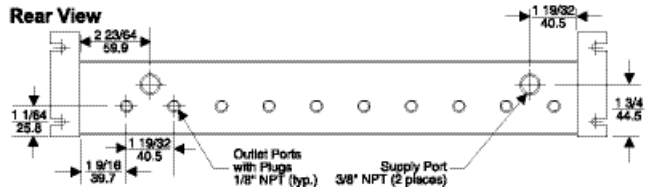
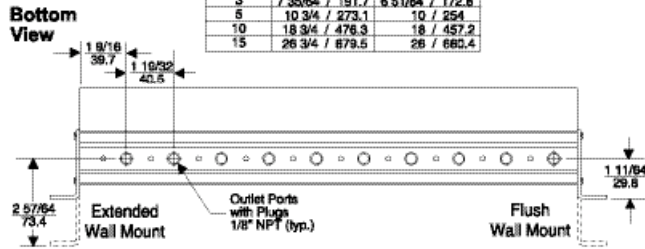
**Inlet Ports**

1/8" NPT vertically on the bottom, 1/8" NPT horizontally on the rear

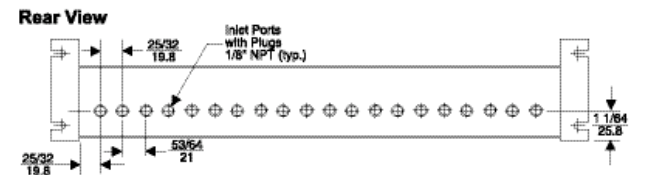
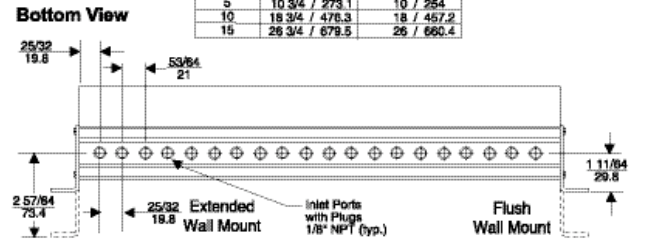
## Manifold Kits: Dimensions



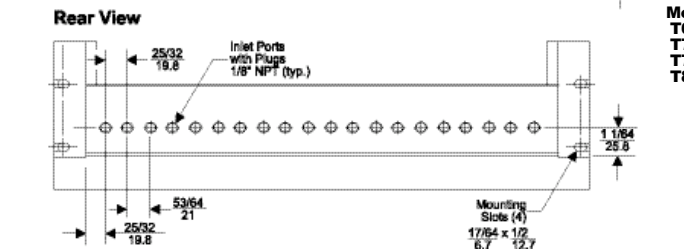
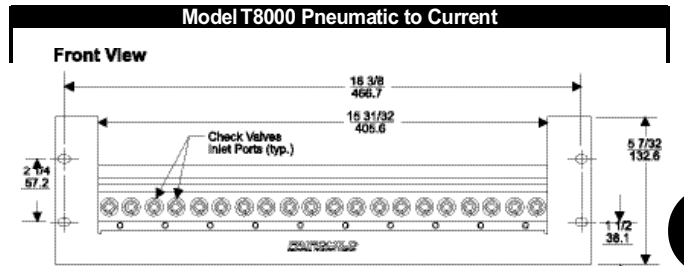
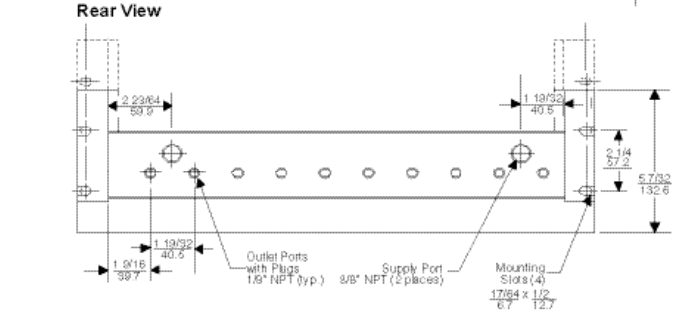
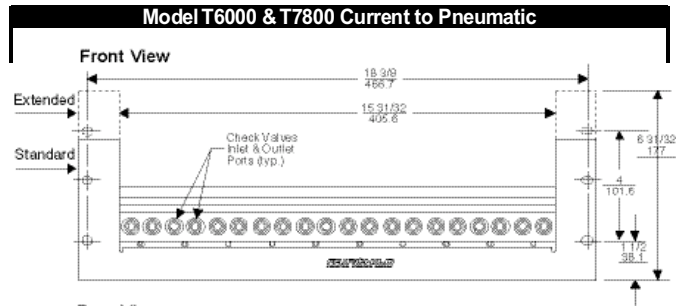
Positions	Length "A" Inches / mm	Length "B" Inches / mm
3	7 35/64 / 191.7	6 51/64 / 172.6
5	10 3/4 / 273.1	10 / 254
10	18 3/4 / 478.3	18 / 457.2
15	26 3/4 / 679.5	26 / 660.4



Positions	Length "A" Inches / mm	Length "B" Inches / mm
3	7 35/64 / 191.7	6 51/64 / 172.6
5	10 3/4 / 273.1	10 / 254
10	18 3/4 / 478.3	18 / 457.2
15	26 3/4 / 679.5	26 / 660.4



## Rack Kits: Dimensions



Models  
T6000  
T7800  
T7950  
T8000

# Manifold and Rack Kit

## Specifications

### Materials of Construction

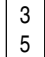
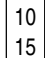
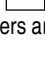

Manifold and Brackets .....	Aluminum
Screws.....	Zinc Plated Steel
Check Valves .....	Brass
Elastomers.....	Buna N

## Catalog Information

### MANIFOLD KIT for Model T6000, T7950 & T7800

**Manifold Kit Number** \*1833 

**Type of Wall Mount**  
 Flush .....   
 Extended ..... 

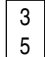
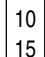
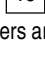

**Number of Transducer Positions**  
 Three .....   
 Five .....   
 Ten .....   
 Fifteen ..... 

Wire Duct Brackets for Standard and Extended Range Transducers are included.

### MANIFOLD KIT for Model T8000

**Manifold Kit Number** \*1853 

**Type of Wall Mount**  
 Flush .....   
 Extended ..... 

**Number of Transducer Positions**  
 Three .....   
 Five .....   
 Ten .....   
 Fifteen ..... 

Wire Duct Brackets for Standard and Extended Range Transducers are included.

### RACK KIT for Model T6000 & T7800

**Rack Kit Number**

**Type of Range**  
 Standard ..... \* 18340-1  
 Extended (T6000 Only) ..... \* 18368-1

### RACK KIT for Model T8000

**Type of Range**  
 Standard ..... \* 18536-1

\* Adapter Kits for Transducers are included.

## Installation

For installation instructions, refer to the *Model T6000/T7800 Series Manifold and Adapter Kit Installation, Operation and Maintenance Instructions*, IS-400MFLD6, the *T6000 Series I/P, E/P Rack Kit Installation, Operation and Maintenance Instructions*, IS-400RACK6, the *T8000 Series Manifold and Adapter Kit Installation, Operation and Maintenance Instructions*, IS-400MFLD8 and the *T8000 Series I/P, E/P Rack Kit Installation, Operation and Maintenance Instructions*, IS-400RACK8.



Models  
 T6000  
 T7800  
 T7950  
 T8000