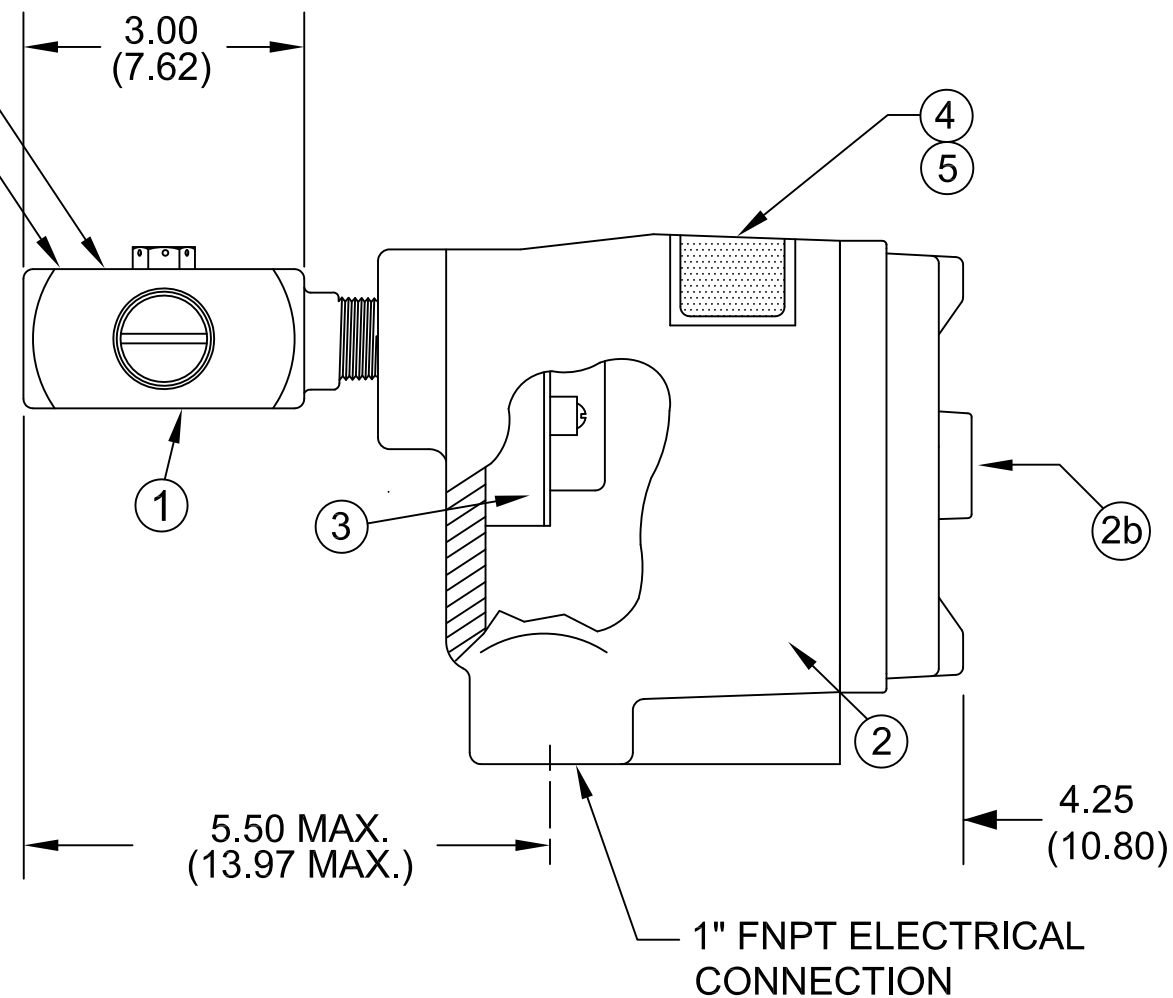



FLOW DIRECTION INDICATOR
 FLAT UP AND
 LEVEL $\pm 2^\circ$



Information contained in this document is confidential and proprietary information of Telematic Controls Inc. This document may not be reproduced or distributed for any reason without express written permission of Telematic Controls Inc. All rights of design, invention and copyright are reserved.

APPROVALS		DATE	
DRN	MW	14MAY13	
CHKD	EC	16MAY13	
APP	TDH	04JUN13	
All dimensions are shown in inches with cm shown in brackets TOLERANCES ARE: DECIMALS ANGLES .X \pm 0.1 $\pm 0.5^\circ$.XX \pm 0.02 .XXX \pm 0.007			TITLE CLASSIC 830 Series Threaded InLine Horizontal with Bleed Port Remote Electronics
SIZE A3	DWG NO D15-830-RA3D-0035AH-3	REV 2	
SCALE NTS		SHEET 1 OF 4	


Rev	Description	App.	Date
0	Initial release	Chidley	16Jul02
1	Edited text		13Apr11
2	Changed footer note, Added confidential note Modified Title box & Rev. Table.	TDH	04Jun13

ITEM	DESCRIPTION	PART NUMBER	QTY
*1	Sensor ; InLine ; Threaded	P42-RA3D-0035-XXXXM	1
2	Flameproof Enclosure (1" x 1" FNPT) c/w Terminal Assembly	N10-100A-E	1
a	<input type="checkbox"/> Glass Lens Cover - Flameproof	M10-1G00	1
b	<input checked="" type="checkbox"/> Blind Cover - Flameproof	M10-1B00	1
3	Remote Terminal Assembly For Sensor Enclosure	1790-0622-C	1
4	Nameplate, Foil	2400-0002	1
5	Nameplate, Overlay	2401-0001	1

***1. Sensor Assembly Selection Guide:**
P42-RA3D-0035-XXXXM, Where XXXXM = the following:

w/Bleed Port = AxxxM
Horizontal Orientation = xHxxM Vertical Orientation = xVxxM
No Injection Tube = xx0xM 1/4" I.D. Injection Tube = xx1xM 1/8" I.D. Injection Tube = xx2xM
No Mounting Bracket Kit = xxxAx Mounting Bracket Kit = xxxBx
Molex Sensor Connection = xxxxM

Information contained in this document is confidential and proprietary information of Telematic Controls Inc. This document may not be reproduced or distributed for any reason without express written permission of Telematic Controls Inc. All rights of design, invention and copyright are reserved.

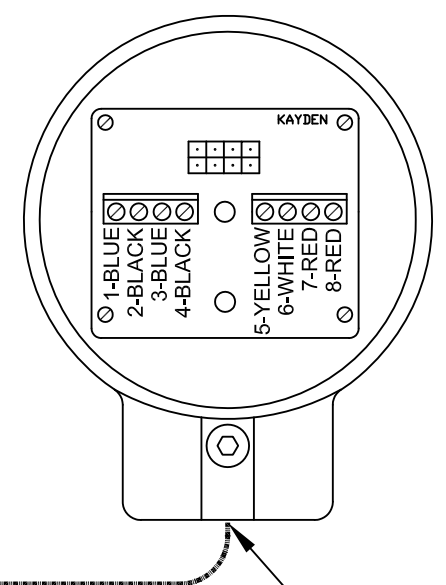
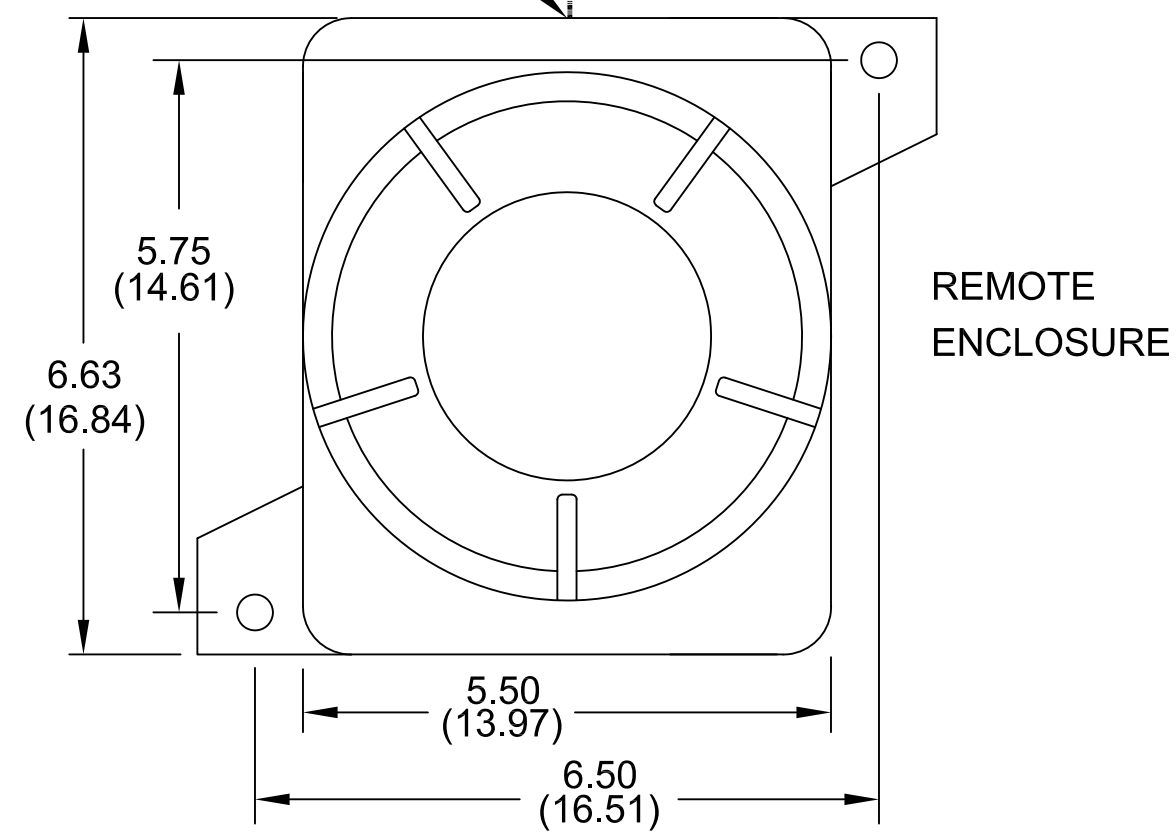
APPROVALS		DATE	
DRN	MW	14MAY13	
CHKD	EC	16MAY13	
APP	TDH	04Jun13	
All dimensions are shown in inches with cm shown in brackets TOLERANCES ARE: DECIMALS ANGLES .X ± 0.1 ±0.5° .XX ± 0.02 .XXX ± 0.007			TITLE Parts List - CLASSIC 830 Series Threaded InLine Horizontal with Bleed Port Remote Electronics
SIZE	DWG NO	REV	
A3	D15-830-RA3D-0035AH-4	2	
SCALE NTS		SHEET 2 OF 4	

Rev	Description	App.	Date
0	Initial release	Chidley	17Jul02
1	Edited text		13Apr11
2	Changed footer note. Added confidential note. Modified Title box & Rev. Table. Modified small table.	TDH	04Jun13

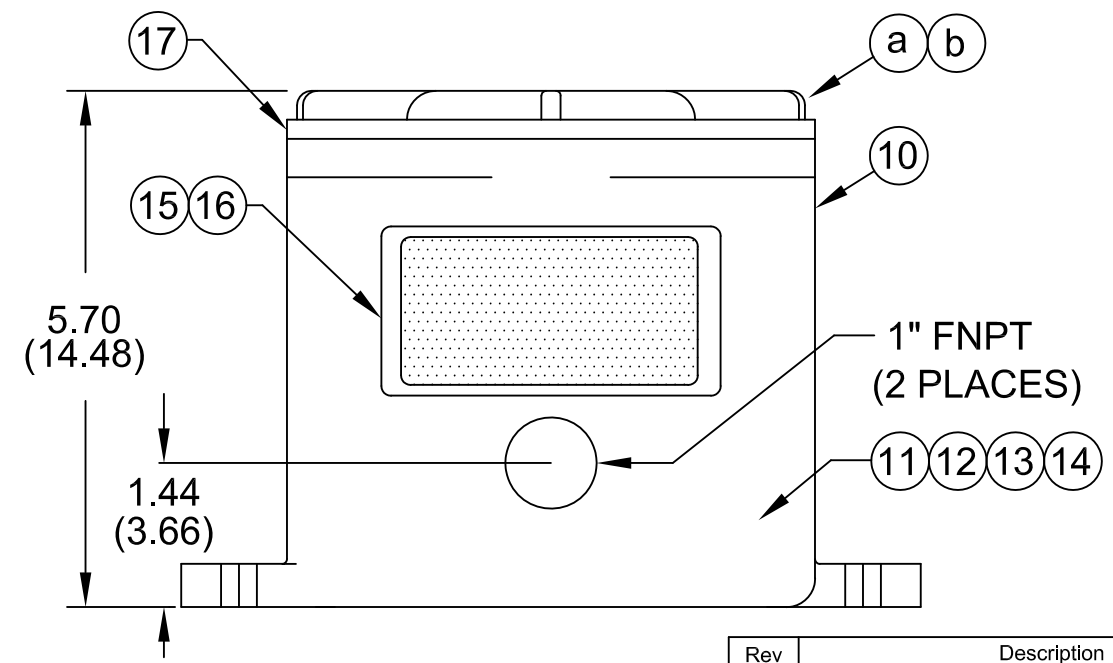
1" FNPT ELECTRONIC CONNECTION

FIELD WIRING

SENSOR ENCLOSURE



1" FNPT ELECTRICAL CONNECTION



Information contained in this document is confidential and proprietary information of Telematic Controls Inc. This document may not be reproduced or distributed for any reason without express written permission of Telematic Controls Inc. All rights of design, invention and copyright are reserved.

APPROVALS	DATE
DRN MW	13MAY13
CHKD EC	21MAY13
APP TDH	03JUN13

KAYDEN[®]
INSTRUMENTS

All dimensions are shown in inches with cm shown in brackets

TOLERANCES ARE:

DECIMALS	ANGLES
.X ± 0.1	±0.5°
.XX ± 0.02	
.XXX ± 0.007	

TITLE: CLASSIC Series Remote Electronics Flameproof Enclosure (CSA)

SIZE A3 | DWG NO. 7730-0000-1-CSA | REV 0

SCALE NTS | SHEET 3 OF 4

Rev	Description	App.	Date
0	Initial release	TDH	03Jun13

NOTES:
1. Wire according to connection diagram.

ITEM	DESCRIPTION	PART NUMBER	QTY
10	Flameproof Remote Enclosure	1409-1201	1
a	<input type="checkbox"/> Glass Lens Cover - Flameproof	1409-1208	1
b	<input type="checkbox"/> Blind Cover - Flameproof	1409-1207	1
11	Terminal Assembly	2511-0012	1
12	Ground Screw	2540-0023	1
13	CLASSIC Electronics Module	L10-800-C-E	1
14	Mounting Screws (316 SS)	2540-0007	2
15	Nameplate, Foil	2400-0007	1
16	Nameplate, Overlay	2401-0001	1
17	Cover Gasket	1499-1301	1

Information contained in this document is confidential and proprietary information of Telematic Controls Inc. This document may not be reproduced or distributed for any reason without express written permission of Telematic Controls Inc. All rights of design, invention and copyright are reserved.

APPROVALS		DATE		KAYDEN [®] I N S T R U M E N T S
DRN	MW	13MAY13		
CHKD	EC	21MAY13		
APP	TDH	03JUN13		
All dimensions are shown in inches with cm shown in brackets TOLERANCES ARE: DECIMALS ANGLES .X ± 0.1 ±0.5° .XX ± 0.02 .XXX ± 0.007				TITLE Parts List - CLASSIC Series Remote Electronics Flameproof Enclosure (CSA)
SIZE A3	DWG NO. 7730-0000-2-CSA		REV 0	
SCALE NTS			SHEET 4 OF 4	

Rev	Description	App.	Date
0	Initial release	TDH	03Jun13