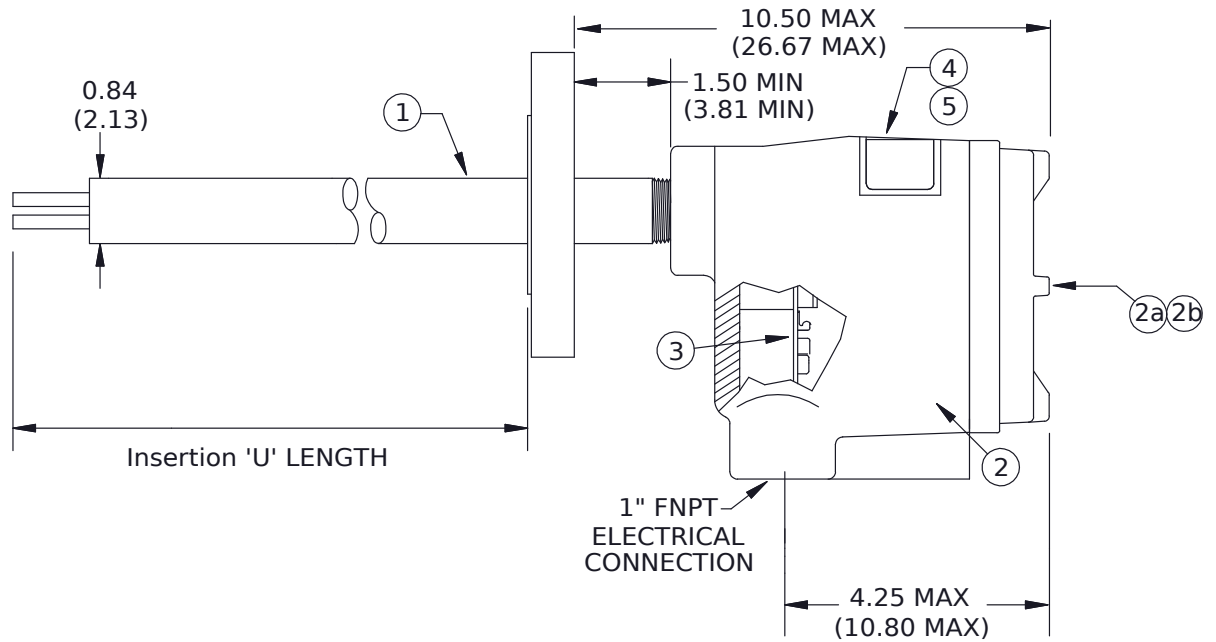
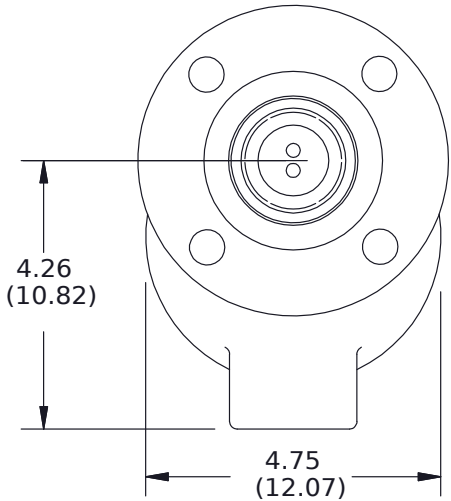


8 7 6 5 4 3 2 1

REVISIONS				
ZONE	REV.	DESCRIPTION	DATE	APPROVED
All	0	Initial Release	20Jun01	Chidley
	1	Update Gland Dim.	08Apr11	
	2	Edited footer note. Modified confidential note. Edited Title Block and Rev. Table. Modified dimensions. Added Bubble 1.	03Jun13	TDH
C5	3	Changed dimension from 1.05 to 0.84	21Jun21	BT



**NOTES:**

1. This drawing is a reference document only.

UNLESS OTHERWISE SPECIFIED:	NAME	DATE
DIMENSIONS ARE IN INCHES	DRAWN MW	16MAY13
TOLERANCES:	CHECKED EC	21MAY13
ANGULAR: 0.5°	ENG APPR. TDH	03JUN13
ONE PLACE DECIMAL ±0.1		
TWO PLACE DECIMAL ±0.02		
THREE PLACE DECIMAL ±0.007		
INTERPRET GEOMETRIC TOLERANCING PER:		
MATERIAL	COMMENTS:	
FINISH		
DO NOT SCALE DRAWING		



TITLE:  
**CLASSIC 812 - Flanged Series Remote Sensor Assembly Mounting Drawing**

SIZE	DWG. NO.	REV
<b>B</b>	D15-812-RAA-XXXX-RE	3

SCALE: NTS      WEIGHT:      SHEET 1 OF 4


8 7 6 5 4 3 2 1

8 7 6 5 4 3 2 1

BOM			
ITEM	DESCRIPTION	PART NUMBER	QTY
1	Sensor; Flanged	Custom	1
2	Flameproof Enclosure (1/2" x 1" FNPT) c/w Terminal Assembly	N10-100A-C	1
2a	<input type="checkbox"/> Glass Lens Cover - Flameproof	M10-1G00	1
2b	<input checked="" type="checkbox"/> Blind Cover - Flameproof	M10-1B00	1
3	Remote Terminal Assy For Sensor Enclosure (12-24 VDC, 115-230 VAC)	1790-0622-C	1
4	Nameplate, Foil	2400-0002	1
5	Nameplate, Overlay	2401-0001	1

NOTES:

- 1. This drawing is a reference document only.

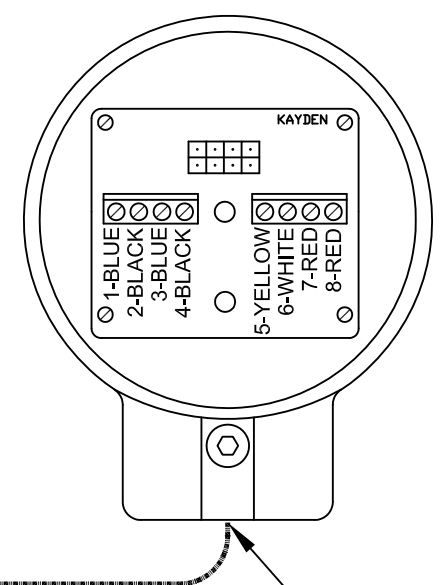
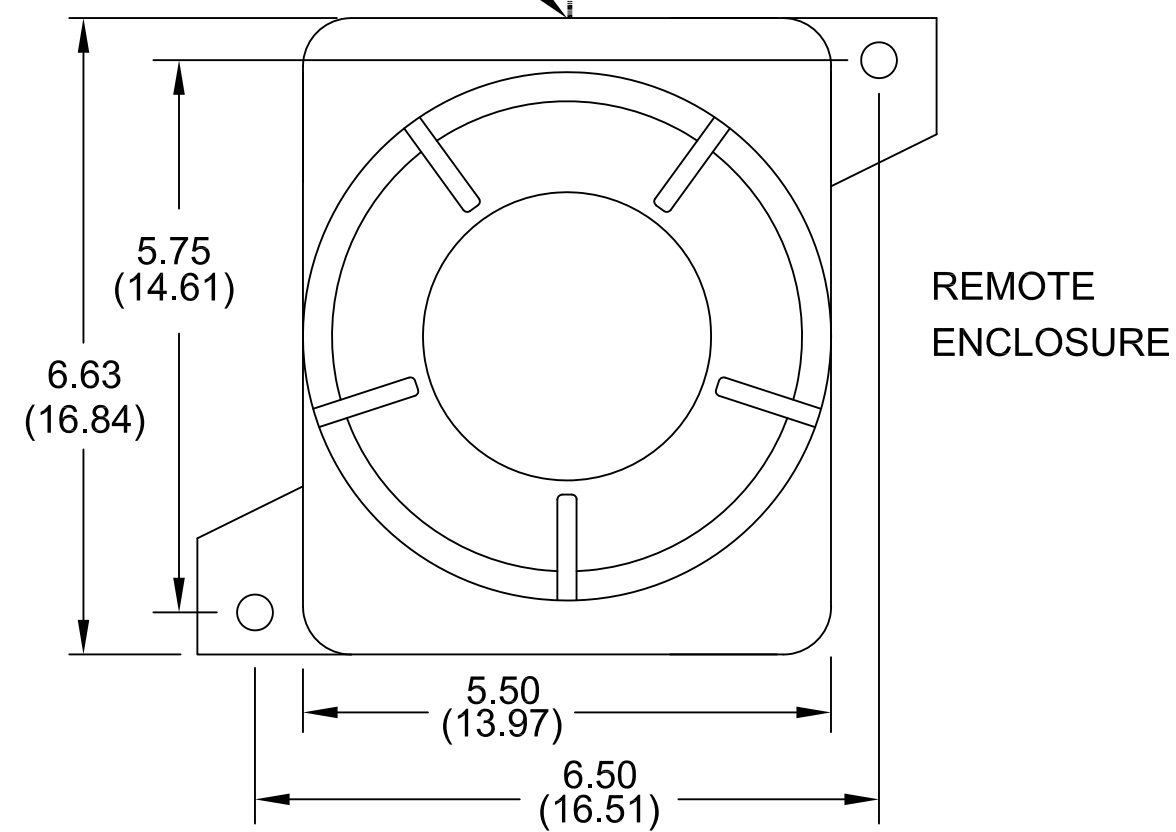
UNLESS OTHERWISE SPECIFIED:  DIMENSIONS ARE IN INCHES  TOLERANCES: ANGULAR: 0.5° ONE PLACE DECIMAL ±0.1 TWO PLACE DECIMAL ±0.02 THREE PLACE DECIMAL ±0.007  INTERPRET GEOMETRIC TOLERANCING PER:  MATERIAL  FINISH  DO NOT SCALE DRAWING		NAME	DATE	
	DRAWN	MW	16MAY13	
	CHECKED	EC	21MAY13	
	ENG APPR.	TDH	03JUN13	
	COMMENTS:			TITLE:  Parts List - CLASSIC 812 - Flanged Series Remote Sensor Assembly
	SIZE	DWG. NO.	REV	
	<b>B</b>	D15-812-RAA-XXXX-RE	3	
	SCALE: NTS	WEIGHT:	SHEET 2 OF 4	

8 7 6 5 4 3 2 1

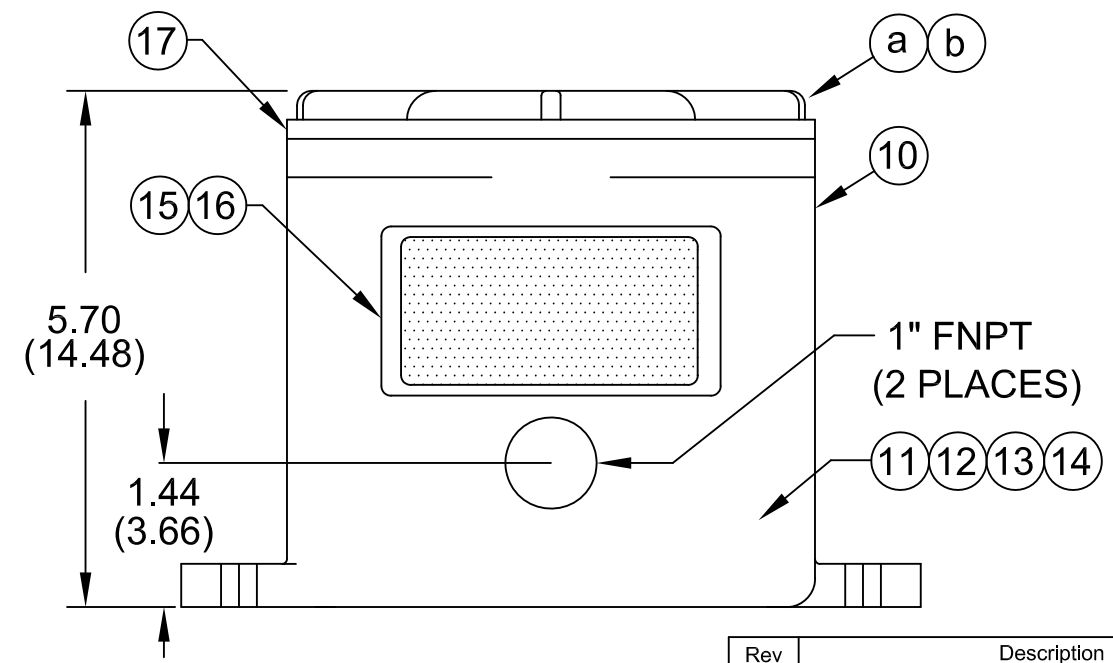
1" FNPT ELECTRONIC CONNECTION

FIELD WIRING

SENSOR ENCLOSURE



1" FNPT ELECTRICAL CONNECTION



Information contained in this document is confidential and proprietary information of Telematic Controls Inc. This document may not be reproduced or distributed for any reason without express written permission of Telematic Controls Inc. All rights of design, invention and copyright are reserved.

APPROVALS	DATE
DRN MW	13MAY13
CHKD EC	21MAY13
APP TDH	03JUN13

**KAYDEN**<sup>®</sup>  
INSTRUMENTS

All dimensions are shown in inches with cm shown in brackets

TOLERANCES ARE:

DECIMALS	ANGLES
.X ± 0.1	±0.5°
.XX ± 0.02	
.XXX ± 0.007	

TITLE: CLASSIC Series Remote Electronics Flameproof Enclosure (CSA)

SIZE A3 | DWG NO. 7730-0000-1-CSA | REV 0

SCALE NTS | SHEET 3 OF 4

Rev	Description	App.	Date
0	Initial release	TDH	03Jun13

NOTES:  
1. Wire according to connection diagram.

