



CustomControlSensors

Hazardous Areas Adjustable Pressure Switch

6900GE*K** - Diaphragm Sensor with Turck® Connector

DESCRIPTION

- Turck® electrical connection for easy “plug and play” in Class I, Division 2 applications
- Turck® connector provides superior ingress protection
- No electrical junction box required.
- Highly reliable devices utilizing the CCS Dual-Snap® Belleville disc spring principle pioneered by CCS’ engineers.
- Engineering based on aerospace technology.
- Rigid, compact and internally adjustable for convenient field set point adjustment.
- Repeatable and stable set points.
- Vibration and shock resistant.
- High cycle life.
- High over-pressure capability. (System and Proof)
- Hermetically sealed electrical assembly for environmental protection.

SERIES:

- 6900GE*
- 6900GZE*

ADJUSTABLE SET POINT RANGE:

- 1 to 3400 PSIG
- 0.07 to 234 bar
- 6.89 to 23400 kPa

OPERATING TEMPERATURE:

Temperature limits change with O-ring selection.

- 40° to 176°F
- 40° to 80°C

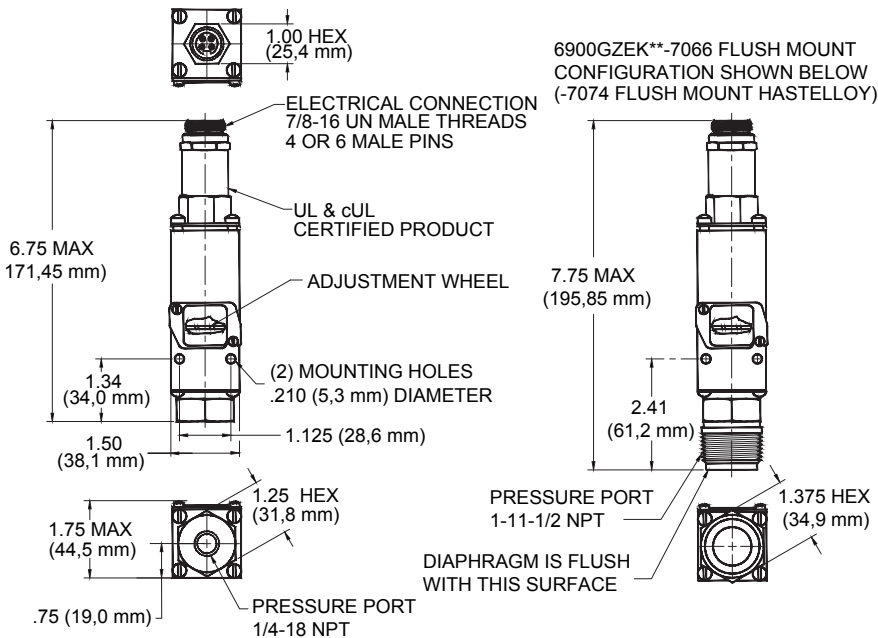
STANDARD FEATURES:

- CE Mark
- CRN
- Dual Seal: ANSI/ISA-12.27.01
- NACE MR0175 / ISO 15156
- NEMA: 4, 7, 9, 13 / IP66
- U.L. / cUL
- Hermetically Sealed Electrical Assembly
- 316 SST Electrical Assembly



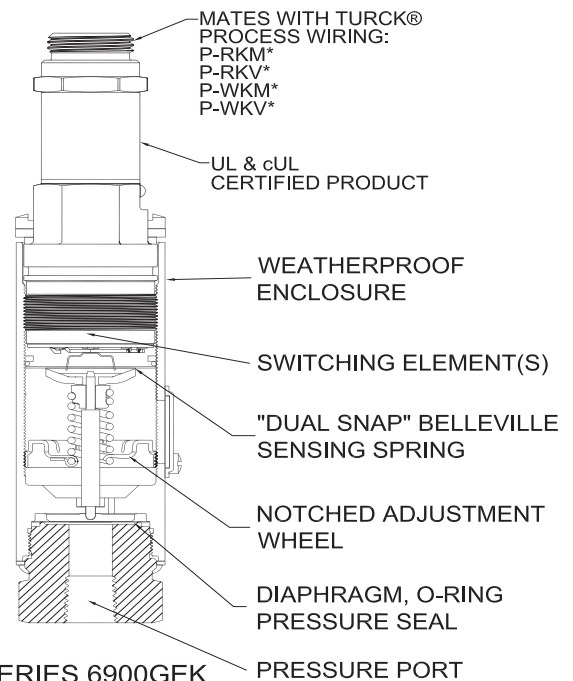
SHIPPING WEIGHT: APPROXIMATELY 18 OUNCES (510 GRAMS)

INSTALLATION DRAWING



*See Installation & Maintenance Instructions 10-1228

DESIGN PRINCIPLES



FIELD SETTING: Loosen access cover. Adjust adjustment screw using screwdriver slot as illustrated, then attach to a variable pressure source with a suitable gage, and check that the circuit continuity operates at the pressures desired. Clockwise to increase settings. Counterclockwise to decrease setting.

NOTE: DO NOT USE ELECTRICAL HEX FOR TORQUING.





CustomControlSensors

Hazardous Areas Adjustable Pressure Switch

6900GE*K** - Diaphragm Sensor with Turck® Connector

OPERATING AND ORDERING DATA

SERIES 6900GE*K**	WETTED PARTS: 1/4"-18 NPT ALUMINUM PRESSURE PORT, POLYIMIDE DIAPHRAGM, BUNA N O-RING				
	ADJUSTABLE SET POINT RANGE		APPROX. DEAD BAND PSI (BAR)	SYSTEM PRESSURE PSIG (BAR)	PROOF PRESSURE PSIG (BAR)
	INCREASING PRESSURE PSIG (BAR)	DECREASING PRESSURE PSIG (BAR)			
6900GE*K**12	3-20 (0.21-1.4)	1-18 (0.07-1.2)	2 (0.14)	500 (34.5)	750 (51.7)
6900GE*K**14	6-75 (0.41-5.1)	2-71 (0.14-4.9)	4 (0.28)		
6900GE*K**16	12-150 (0.8-10.3)	4-142 (0.28-9.8)	8 (0.6)		
6900GE*K**18	30-375 (2.0-25.9)	10-355 (0.7-24.4)	20 (1.4)	1500 (103)	2000 (138)
6900GE*K**20	300-1000 (20.7-69)	250-950 (17.2-66)	50 (3.5)	2000 (138)	3000 (207)
6900GE*K**22	700-2200 (48.3-152)	600-2100 (41.4-145)	100 (6.9)	3000 (207)	4500 (310)
6900GE*K**24	1800-3400 (124-234)	1580-3180 (109-219)	220 (15.2)	5000 (345)	7500 (517)

SERIES 6900GZE*K**	WETTED PARTS: 1/2"-14 NPT 316 STAINLESS STEEL PRESSURE PORT & DIAPHRAGM, VITON O-RING				
	ADJUSTABLE SET POINT RANGE		APPROX. DEAD BAND PSI (BAR)	SYSTEM PRESSURE PSIG (BAR)	PROOF PRESSURE PSIG (BAR)
	INCREASING PRESSURE PSIG (BAR)	DECREASING PRESSURE PSIG (BAR)			
6900GZE*K**12	3-20 (0.21-1.4)	1-18 (0.07-1.2)	2 (0.14)	500 (34.5)	750 (51.7)
6900GZE*K**14	9-75 (0.6-5.1)	3-69 (0.21-4.8)	6 (0.41)		
6900GZE*K**16	18-150 (1.2-10.3)	6-138 (0.41-9.5)	12 (0.8)		
6900GZE*K**18	45-375 (3.1-25.9)	15-345 (1.0-23.8)	30 (2.0)	1500 (103)	2000 (138)
6900GZE*K**20	300-1000 (20.7-69)	225-925 (15.5-64)	75 (5.1)	2000 (138)	3000 (207)
6900GZE*K**22	700-2200 (48.3-152)	520-2020 (35.9-139)	180 (12.4)	3000 (207)	4500 (310)
6900GZE*K**24	1800-3400 (124-234)	1520-3120 (105-215)	280 (19.3)	5000 (345)	7500 (517)

SERIES 6900GZE*K**-7066 FLUSH MOUNT	WETTED PARTS: 1" 316 STAINLESS STEEL PRESSURE PORT & WELDED DIAPHRAGM				
	ADJUSTABLE SET POINT RANGE		APPROX. DEAD BAND PSI (BAR)	SYSTEM PRESSURE PSIG (BAR)	PROOF PRESSURE PSIG (BAR)
	INCREASING PRESSURE PSIG (BAR)	DECREASING PRESSURE PSIG (BAR)			
6900GZE*K**12-7066	3-15 (0.21-1.0)	1-13 (0.07-0.9)	2 (0.14)	500 (34.5)	750 (52)
6900GZE*K**14-7066	12-75 (0.83-5.1)	6-69 (0.41-4.8)	6 (0.41)		
6900GZE*K**16-7066	18-150 (1.2-10.3)	6-138 (0.41-9.5)	12 (0.8)		
6900GZE*K**18-7066	45-375 (3.1-25.9)	15-345 (1.0-23.8)	30 (2.0)	1500 (103)	2000 (138)
6900GZE*K**20-7066	300-1000 (20.7-69)	225-925 (15.5-64)	75 (5.1)	2000 (138)	3000 (207)
6900GZE*K**22-7066	700-2200 (48.3-152)	520-2020 (35.9-139)	180 (12.4)	3000 (207)	4500 (310)

HOW TO ORDER

Follow these steps to build your part number:

1. Specify the series based on your required set point, range, dead band, system pressure and proof pressure.
2. Add desired options model code letter (*).
3. Add required wiring code (**=4O, 6O, 4D, 4C).
4. Add the applicable standard suffix number.

(Ex: 6900GCEK4D12-7044)

PRESSURE CONVERSION

1 BAR = 14.5 PSI
1 kPa = 0.145 PSI

OPTIONS MODEL CODES (*)

- A: Viton® O-Ring (STD on GZE models)
- C: + Suffix for Different Welded Capsule Materials
- F: Ethylene Propylene O-Ring

OPTIONAL STANDARD MODIFIED SUFFIXES

- 7008: Gold Contacts
- 7042: Stainless Steel Body
- 7044: Monel Port and Diaphragm
- 7045: Hastelloy C-276 Port and Diaphragm
- 7074: 1" Flush Mount Hastelloy C-276 Port & Welded Diaphragm
- 7082: 316 SST Port, Piston & Body, E.N.P. Front cover & Locks, 1/4"-18 NPT Female Pressure port.
- 7088: 1/4" -18 NPT Female 316 Stainless Steel Pressure Port
- 7089: 1/2" -14 NPT Male 316 Stainless Steel Pressure Port

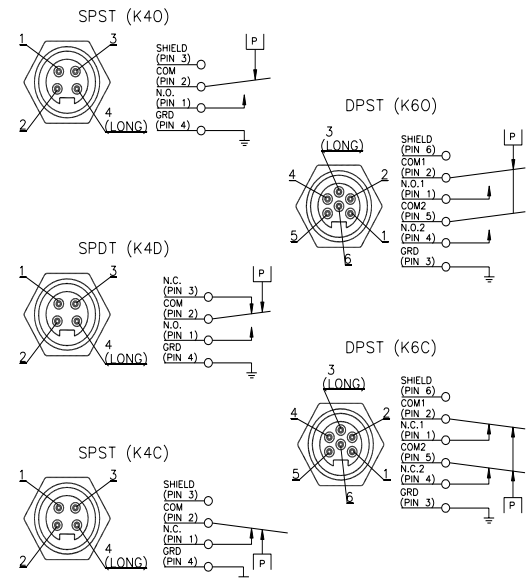
ELECTRICAL ENCLOSURE CERTIFICATIONS

- * UL Laboratories Inc. Listed (File E32961) for hazardous locations.
- * Field device rated for: Class I, Division 2, Groups A, B, C or D.
- * See Hazardous Location - Installation Drawing Field Device CCS-ENG NI - 2.404

ELECTRICAL CHARACTERISTICS RATING OF SWITCH ELEMENT

VOLTS	AMPERES		
	SPST	SPDT	DPST
30 DC	Res.	Res.	Res.
	600 mA		
*30 DC	600 mA		
*Gold Contacts -7008 Suffix			

SCHEMATIC AND WIRING CODE (**)



Note: Additional modified standard suffixes are available, consult CCS sales department or CCS Representative.

CERTIFICATIONS

Consult CCS website for complete certification and approval listing.

DUAL-SNAP®

ccsdualsnap.com

Models: 6900GE*K**, Page 2 of 2
Form 830G, 6.15.15