

6100-6105

REACTION TORQUE METERS (HIGH CAPACITIES)

Universal non-rotating torque meters combining accuracy, sturdiness and easiness to install.

Model 6100 - 500 Nm



Features

- Easy to install, Compact design
- Protection IP 65
- Material :
 - o stainless steel (6100)
 - o nickel plated steel (6105)
- Cable length: 3m
- Available options (non exhaustive list):
 - o high service temperature (up to 180 °C)
 - o ATEX intrinsic safety Ex II 1GD Ex ia IIC T6 or T4 Ga Ex ia IIIC T80 °C Da
 - o amplified (0..10 V, 4..20 mA) and digital output signal (RS-232C, RS-485, USB)
 - o double strain-gage bridge
- Also available as standard reference torque meters

Applications

The SENSY's load cells 6100-6105 are perfectly designed to the following applications :

- Torque measurement on machines
- Servo control or torque limitation on industrial process
- Calibration of screw drivers
- Torque measurement in laboratories

Capacities

6100 - 6105 : 300 - 500 - 1000 - 2000 - 5000 - 10000 Nm
Higher capacity on request

Specifications	0.25	
Combined error	< ± 0.25	% F.S.
Linearity error	< ± 0.25	% F.S.
Repeatability error	< ± 0.1	% F.S.
Creep error over 30 min.	< ± 0.1	% F.S.
Zero shift after loading	< ± 0.025	% F.S.
Reference temperature	23	°C
Nominal temperature range	-10...+45	°C
Service temperature range	-30...+70	°C
Storage temperature range	-50...+85	°C
Temperature coefficient of the sensitivity	< ± 0.05	% F.S./10 °C
Temperature coefficient of zero signal	< ± 0.035	% F.S./10 °C
Zero balance	± 0.02	mV/V
Sensitivity tolerance	< ± 0.3	%
Input resistance	352 ± 2	Ohm
Output resistance	352 ± 2	Ohm
Insulation resistance (50V)	> 5000	Megaohm
Reference excitation voltage	10	VDC
Nominal range of excitation voltage	3..12	VDC
Nominal sensitivity	1.5	mV/V
Safe load limit	130	% F.S.
Breaking load	>300	% F.S.
Static lateral force limit	50	% F.S.
Permissible dynamic loading	50	% F.S.

STATIC TORQUEMETER

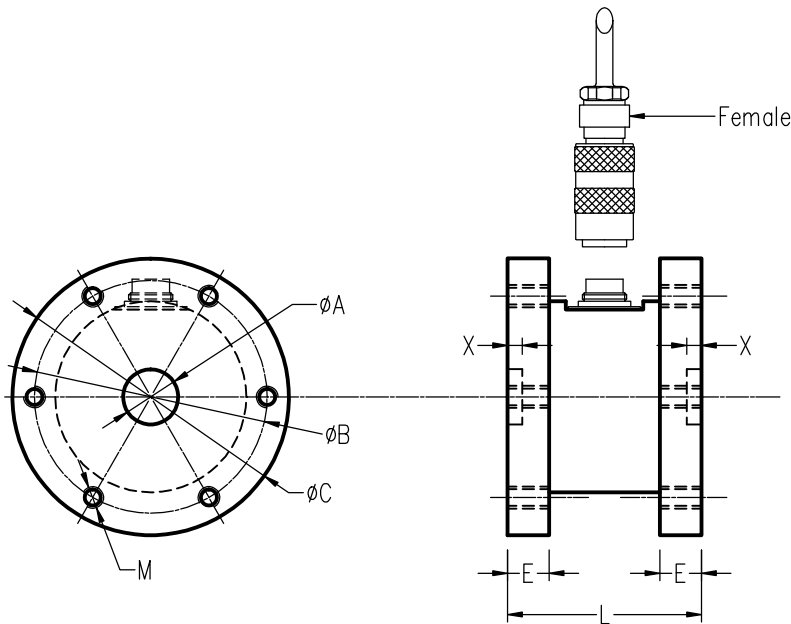
model 6100 stainless steel
 model 6105 alloy steel
REACTION TORQUE TRANSDUCER

Range : 300 – 10000 Nm 1mV/V IP 65

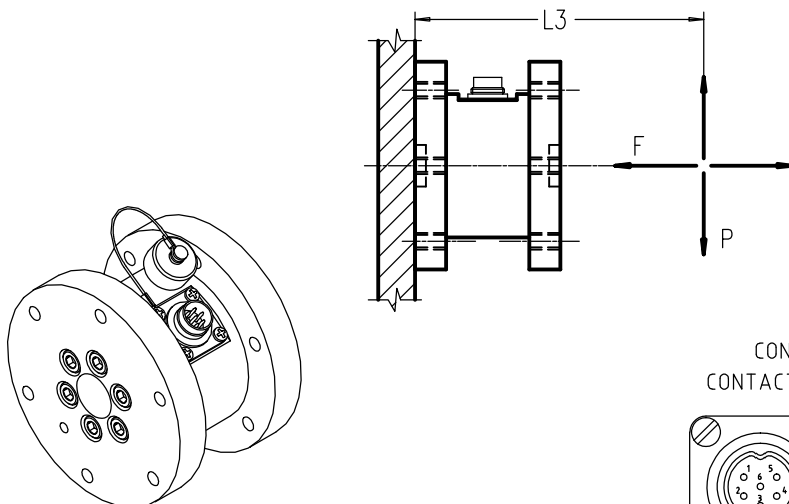
Cable length : 3 m



ATEX CERTIFIED

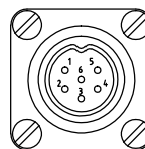


CAPACITIES	ϕA	ϕB	ϕC	E	L	M	X	F max (kN)	L3xP max (N x m)	Torsional stiffness kNm/rad	Weight (kg)
300 – 500 Nm	20 H7	84	99	15	70	M8 (6 x 60')	10	7-12	80-170	170-215	2.2
1000 – 2000 – 5000 Nm	20 H7	127	149	18	100	M12 (8 x 45')	15	18-35-55	330-700-1300	220-600-1300	7-7-7.5
10000 Nm	20 H7	150	179	25	120	M16 (8 x 45')	15	84	2000	3400	12.8



CONNECTOR -CONNECTEUR DIN 45322

CONTACT N° 1 *Yellow Jaune* Excitation -
 4 *Brown Brun* Excitation +



2 *Green Vert* :Signal+ :Signal -
 3 *White Blanc* :Signal- :Signal +
 5 *Grey Gris* Calibration
 6 *Pink Rose* Calibration

Standard : Cable screen not connected to transducer
 Option f : Cable screen connected to transducer