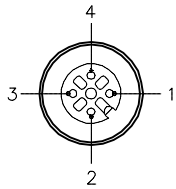


FEMALE END VIEW

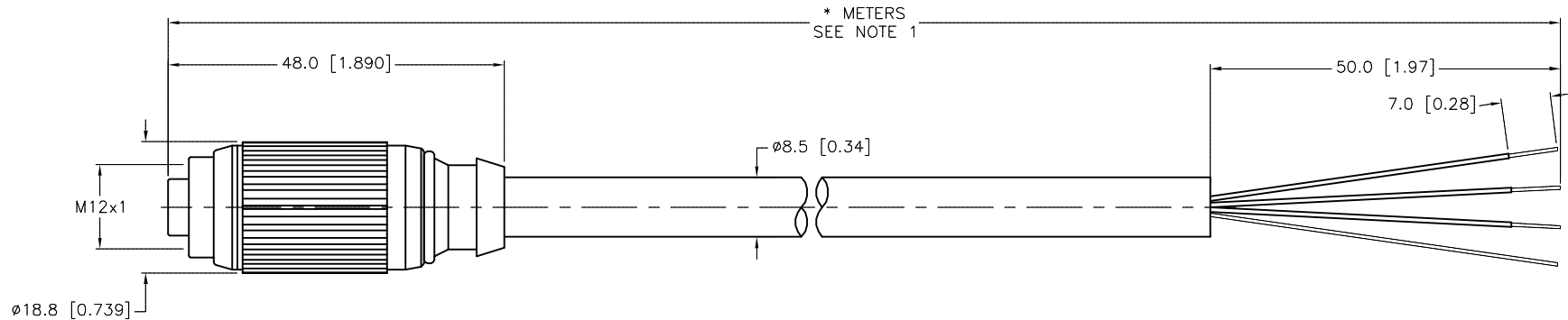


- 1 = BLUE
- 2 = BROWN
- 3 = DRAIN
- 4 = GREEN/YELLOW



SPECIFICATIONS

CONTACT CARRIER MATERIAL	NYLON OR TPU
MOLDED HEAD MATERIAL/COLOR	TPU/BLACK
CONTACT MATERIAL/PLATING	BRASS/GOLD
COUPLING NUT MATERIAL/FINISH	STAINLESS STEEL/PASSIVATED
RATED CURRENT [A]	4.0 A
RATED VOLTAGE [V]	250 V
OUTER JACKET MATERIAL/COLOR	TPU/BLACK
CONDUCTOR INSULATION MATERIAL	XLPE
CONDUCTORS	3x18 AWG
DRAIN/SHIELD	20 AWG DRAIN/ALUMINUM FOIL SHIELD
TEMPERATURE RATING	-55°C to +105°C (-67°F to +221°F)
PROTECTION CLASS	NEMA 1,3,4,6P AND IEC IP68, IP69K
CONDUCTOR ARRANGEMENT	1 SHIELDED TWISTED PAIR, 1 GROUND, 1 DRAIN



CABLE LENGTH	TOLERANCE*
ALL LENGTHS	+ 4% (OR 50mm) OF LENGTH - 0% (OR 0mm) OF LENGTH WHICHEVER IS GREATER
STRIP LENGTH	TOLERANCE*
0-7mm	±0.5mm
8-29mm	±1.0mm
30-49mm	±2.0mm
50-69mm	±3.0mm
70-100mm	±4.0mm
OVER 100mm	±5.0mm

*** UNLESS OTHERWISE SPECIFIED**

NOTES:

- "*" INDICATES CABLE LENGTH IN METERS. CONTACT TURCK TO ORDER SPECIFIC LENGTHS.
- CABLE APPROVAL: ITC-ER DIRECT BURIAL 18AWG/3 105C (UL FILE#) SUNLIGHT RESISTANT OR PLTC-ER 105C OR CSA CMX-OUTDOOR-CM (CSA FILE#) 105C FT1"

SOURCE DRAWING - FOR REFERENCE ONLY

RELATED DOCUMENTS 1. 2. 3. 4.	3RD ANGLE PROJECTION	THIS DRAWING IS CONFIDENTIAL AND THE PROPERTY OF TURCK INC. USE OF THIS DOCUMENT WITHOUT WRITTEN PERMISSION IS PROHIBITED.	TURCK INC High Technology Sensors and Automation Controls 3000 CAMPUS DRIVE MINNEAPOLIS, MN 55441 1-800-544-7769 (763) 553-7300 (763) 553-0708 fax turck.com	
	DRFT RDS DATE 11/09/10 APVD SCALE 1=1.0		DESCRIPTION P-RKGV 4T-188-*	
MATERIAL SEE SPECIFICATIONS	ALL DIMENSIONS DISPLAYED ON THIS DRAWING ARE FOR REFERENCE ONLY CONTACT TURCK FOR MORE INFORMATION	UNIT OF MEASUREMENT MILLIMETER [INCH]		IDENTIFICATION NO.
FINISH SEE SPECIFICATIONS		DO NOT SCALE THIS DRAWING		REV D
D UPDATE CABLE JACKET MATERIAL AND DIAMETER	RDS	03/25/13	41705	
REV DESCRIPTION	BY	DATE	ECO NO.	
FILE: 777026929			SHEET 1 OF 1	