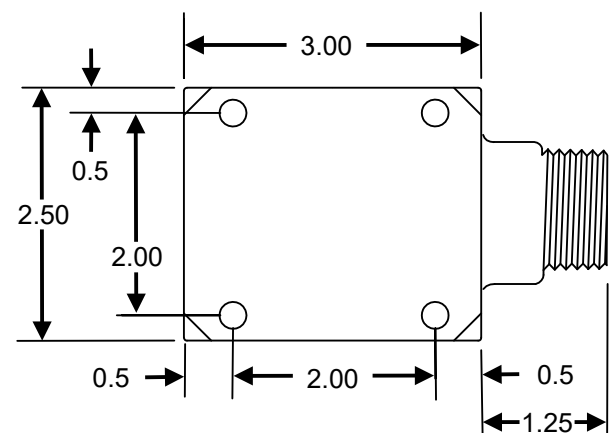



DETAIL - MOUNTING HOLES



Rev	Description	App.	Date
0	Initial release	Chidley	16Jul02
1	Edited text		25Jan11
2	Changed footer note. Added confidential note. Modified Title box & Rev. Table.	TDH	04Jun13
3	Added sensor mounting hole locations	DRS	10Oct24

Information contained in this document is confidential and proprietary information of Telematic Controls Inc. This document may not be reproduced or distributed for any reason without express written permission of Telematic Controls Inc. All rights of design, invention and copyright are reserved.

APPROVALS		DATE			
DRN	MW	15MAY13			
CHKD	EC	23MAY13			
APP	TDH	04Jun13			
All dimensions are shown in inches with cm shown in brackets TOLERANCES ARE: DECIMALS ANGLES .X ± 0.1 ±0.5° .XX ± 0.02 .XXX ± 0.007			TITLE CLASSIC 830 Series Threaded InLine Vertical with Bleed Port Local Electronics		
SIZE	DWG NO.		REV		
A3	D15-830-RA3D-0035AV-1		3		
SCALE NTS			SHEET 1 OF 2		

ITEM	DESCRIPTION	PART NUMBER	QTY
*1	Sensor ; InLine ; Threaded	P42-RA3D-0035-XXXXM	1
2	Flameproof Enclosure (1" x 1" FNPT)	N10-100A-E	1
	c/w Terminal Assembly		
a	<input checked="" type="checkbox"/> Glass Lens Cover - Flameproof	M10-1G00	1
b	<input type="checkbox"/> Blind Cover - Flameproof	M10-1B00	1
3	CLASSIC Electronics Module	L10-800-C-E	1
	(12 - 24 VDC, 115 - 230 VAC)		
4	Nameplate, Foil	2400-0002	1
5	Nameplate, Overlay	2401-0001	1

***1. Sensor Assembly Selection Guide:**
P42-RA3D-0035-XXXXM, Where XXXXM = the following:

w/Bleed Port = AxxxM
Horizontal Orientation = xHxxM
Vertical Orientation = xVxxM
No Injection Tube = xx0xM
1/4" I.D. Injection Tube = xx1xM
1/8" I.D. Injection Tube = xx2xM
No Mounting Bracket Kit = xxxAx
Mounting Bracket Kit = xxxBx
Molex Sensor Connection = xxxxM

Information contained in this document is confidential and proprietary information of Telematic Controls Inc. This document may not be reproduced or distributed for any reason without express written permission of Telematic Controls Inc. All rights of design, invention and copyright are reserved.

APPROVALS	DATE	KAYDEN[®] INSTRUMENTS		
DRN MW	15MAY13			
CHKD EC	23MAY13			
APP TDH	04JUN13	TITLE Parts List - CLASSIC 830 Series Threaded InLine Vertical with Bleed Port Local Electronics		
All dimensions are shown in inches with cm shown in brackets		SIZE A3	DWG NO. D15-830-RA3D-0035AV-2	REV 3
TOLERANCES ARE:		SCALE NTS SHEET 2 OF 2		
DECIMALS .X ± 0.1 .XX ± 0.02 .XXX ± 0.007		ANGLES ±0.5°		

Rev	Description	App.	Date
0	Initial release	Chidley	17Jul02
1	Edited text		25Jan11
2	Changed footer note. Added confidential note. Modified Title box & Rev. Table. Modified small table	TDH	04Jun13
3	Added sensor mounting hole locations	DRS	10Oct24