



PT30 SERIES

- Gauge, compound, absolute and vacuum ranges from 2 psig to 15,000 psig
- Compact size
- Current and voltage outputs available
- 316 Stainless Steel wetted parts
- RoHS compliant
- Built to CE standards to suppress RFI, EMI and ESD
- cULus pending

APPLICATIONS

- Hydraulics & pneumatics
- Automotive
- Pumps & compressors
- Refrigeration controls
- Mobile equipment
- General industrial

SPECIFICATIONS

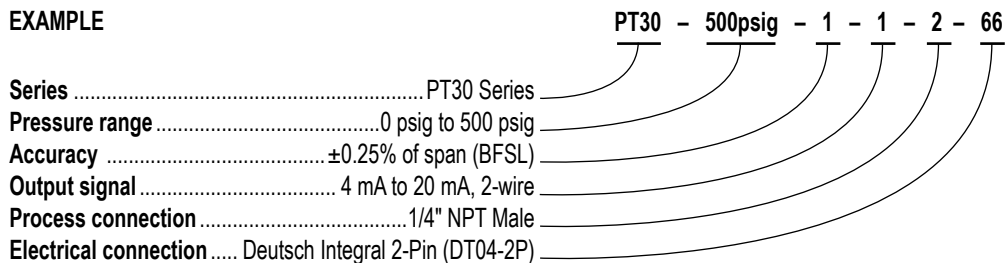
Output signals	4 mA to 20 mA, 2-wire; 0 Vdc to 5 Vdc, 3-wire; 1 Vdc to 5 Vdc, 3-wire; 0 Vdc to 10 Vdc, 3-wire; 0.5 to 4.5 Vdc, 3-wire; 0.5 to 4.5 Vdc ratiometric, 3-wire	
Pressure ranges	Gauge, compound, absolute and vacuum ranges from 2 psi to 15,000 psi	
Accuracy*	±0.25% of span, non-linearity best fit straight line per IEC 61298-2 at reference conditions	
Response time	< 1 ms	
Service life	> 10 million load cycles	
Temperature ranges*	Compensated :	-4 °F to 185 °F (-20 °C to 85 °C)
	Media:	-22 °F to 221 °F (-30 °C to 105 °C)
	Ambient:	-4 °F to 185 °F (-20 °C to 85 °C)
	Storage:	-40 °F to 257 °F (-40 °C to 125 °C)
Power requirement*	12 Vdc to 36 Vdc:	4 mA to 20 mA, 2-wire 0 Vdc to 5 Vdc, 3-wire 1 Vdc to 5 Vdc, 3-wire 0 Vdc to 10 Vdc, 3-wire 0.5 to 4.5 Vdc non-ratiometric, 3-wire
	4.5 Vdc to 5.5 Vdc:	0.5 to 4.5 Vdc ratiometric, 3-wire
Proof pressure	< 7,500 psi:	2 times full scale
	7,500 – 10,000 psi:	1.5 times full scale
	> 10,000 psi:	1.2 times full scale
Burst pressure	< 7,500 psi:	3 times full scale
	7,500 – 10,000 psi:	2 times full scale
	> 10,000 psi:	1.5 times full scale
Measuring element	316 Stainless Steel	
Process connection	316 Stainless Steel	
Electrical connection	Stainless Steel and Glass Filled PA	
Housing material	304 Stainless Steel	
Environmental rating	IP65: DIN EN 175301-803 Form A, DIN EN 175301-803 Form C IP67: 4-pin Bayonet, 6-pin Bayonet, Packard, M12 x 1 (4-pin), Deutsch IP68: Integral cable (gauge reference devices < 400 psi are IP67)	
Electromagnetic rating	Immunity per IEC 61000-6-2 Radiation per IEC 61000-6-3	
Electrical protection	Reverse polarity and short circuit protection	
Shock	200 g's according to IEC 60068-2-27	
Vibration	20 g's according to IEC 60068-2-6	
Weight	Approximately 4.5 oz.	

* See user manual for detailed specifications

ORDERING INFORMATION								
SERIES	PT30							
PRESSURE RANGES	15psiv	-15 psig to 0 psig	15psig	0 psig to 15 psig	1000psig	0 psig to 1,000 psig	15psia	0 psia to 15 psia
	15psic	-15 psig to 15 psig	30psig	0 psig to 30 psig	1500psig	0 psig to 1,500 psig	30psia	0 psia to 30 psia
	30psic	-15 psig to 30 psig	60psig	0 psig to 60 psig	2000psig	0 psig to 2,000 psig	60psia	0 psia to 60 psia
	60psic	-15 psig to 60 psig	100psig	0 psig to 100 psig	3000psig	0 psig to 3,000 psig	100psia	0 psia to 100 psia
	100psic	-15 psig to 100 psig	150psig	0 psig to 150 psig	4000psig	0 psig to 4,000 psig	150psia	0 psia to 150 psia
	200psic	-15 psig to 200 psig	200psig	0 psig to 200 psig	5000psig	0 psig to 5,000 psig	200psia	0 psia to 200 psia
	300psic	-15 psig to 300 psig	300psig	0 psig to 300 psig	6000psig	0 psig to 6,000 psig	300psia	0 psia to 300 psia
	2psig	0 psig to 2 psig	500psig	0 psig to 500 psig	7500psig	0 psig to 7,500 psig		
	5psig	0 psig to 5 psig	600psig	0 psig to 600 psig	10000psig	0 psig to 10,000 psig		
	10psig	0 psig to 10 psig	750psig	0 psig to 750 psig	15000psig	0 psig to 15,000 psig		
psiv = vacuum gauge pressure psic = compound gauge pressure psig = gauge pressure psia = absolute pressure Other ranges available upon request.								
ACCURACY	1 ±0.25% (of span, non-linearity, BFSL per IEC 61298-2 at reference conditions)							
OUTPUT SIGNALS	1	4 mA to 20 mA, 2-wire	3	1 Vdc to 5 Vdc, 3-wire	13	0.5 Vdc to 4.5 Vdc, 3-wire (ratiometric)		
	2	0 Vdc to 5 Vdc, 3-wire	5	0 Vdc to 10 Vdc, 3-wire	31	0.5 Vdc to 4.5 Vdc, 3-wire (non-ratiometric)		
PROCESS CONNECTIONS	1	1/8" NPT male	24	7/16-20 Female Schrader	72	9/16-18 Male SAE -6 (J1926-2)		
	2	1/4" NPT male	46	G 1/4 A Male ISO 1179-2				
	8	1/2" NPT male	50	7/16-20 Male SAE -4 (J1926-2)				
ELECTRICAL CONNECTIONS	2	4-pin Bayonet	17	DIN EN 175301-803 Form C w/ 3 ft. cable	46	Deutsch Integral 3-Pin (DT04-3P)		
	3	6-pin Bayonet	18	DIN EN 175301-803 Form A w/ 3 ft. cable	66	Deutsch Integral 2-Pin (DT04-2P)		
	7	DIN EN 175301-803 Form C	21	Deutsch Integral 4-Pin (DT04-4P)	70	DIN EN 175301-803 Form C w/o mating connector		
	8	DIN EN 175301-803 Form A	25	M12 x 1 (4-pin)	80	DIN EN 175301-803 Form A w/o mating connector		
	14	DIN EN 175301-803 Form A w/ 1/2" NPT female conduit	34	Packard 3-Pin				
			36	3 ft. Integral cable				
OPTION	ST8 Threaded Orifice (0.8 mm)							

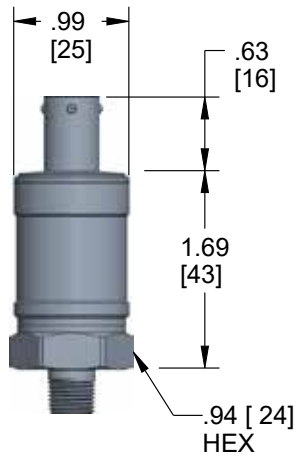
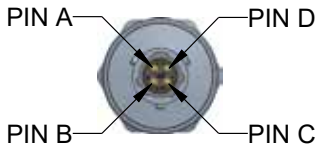
Please consult your local NOSHOK Distributor or NOSHOK, Inc. for availability and delivery information.

EXAMPLE

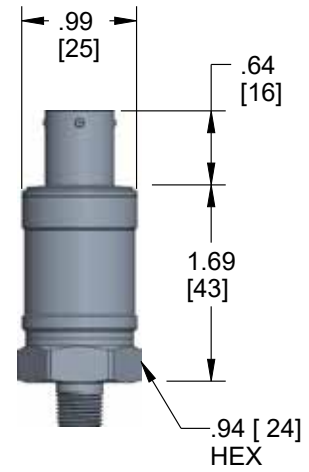
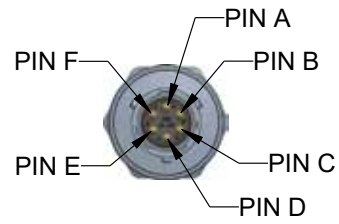


Dimensions

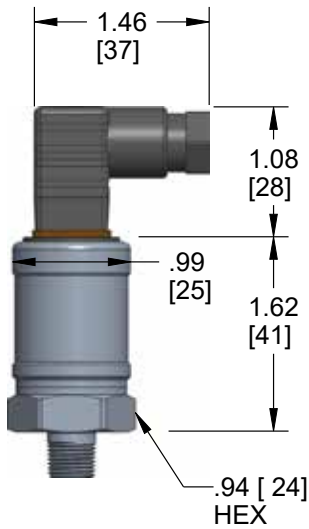
PT30-2 (4-Pin Bayonet)



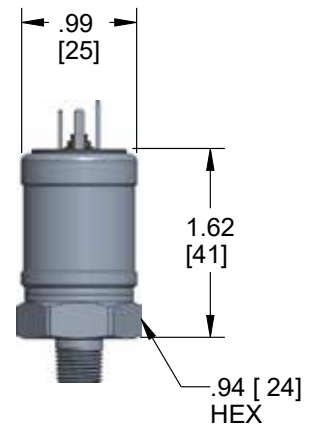
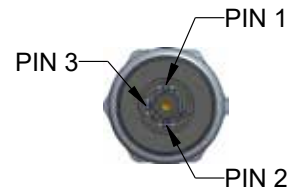
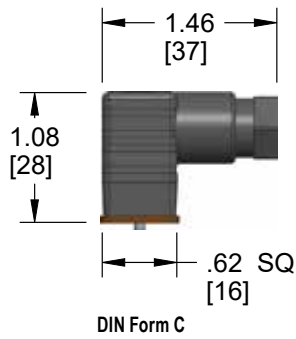
PT30-3 (6-Pin Bayonet)



PT30 (DIN EN 175301-803 Form C)

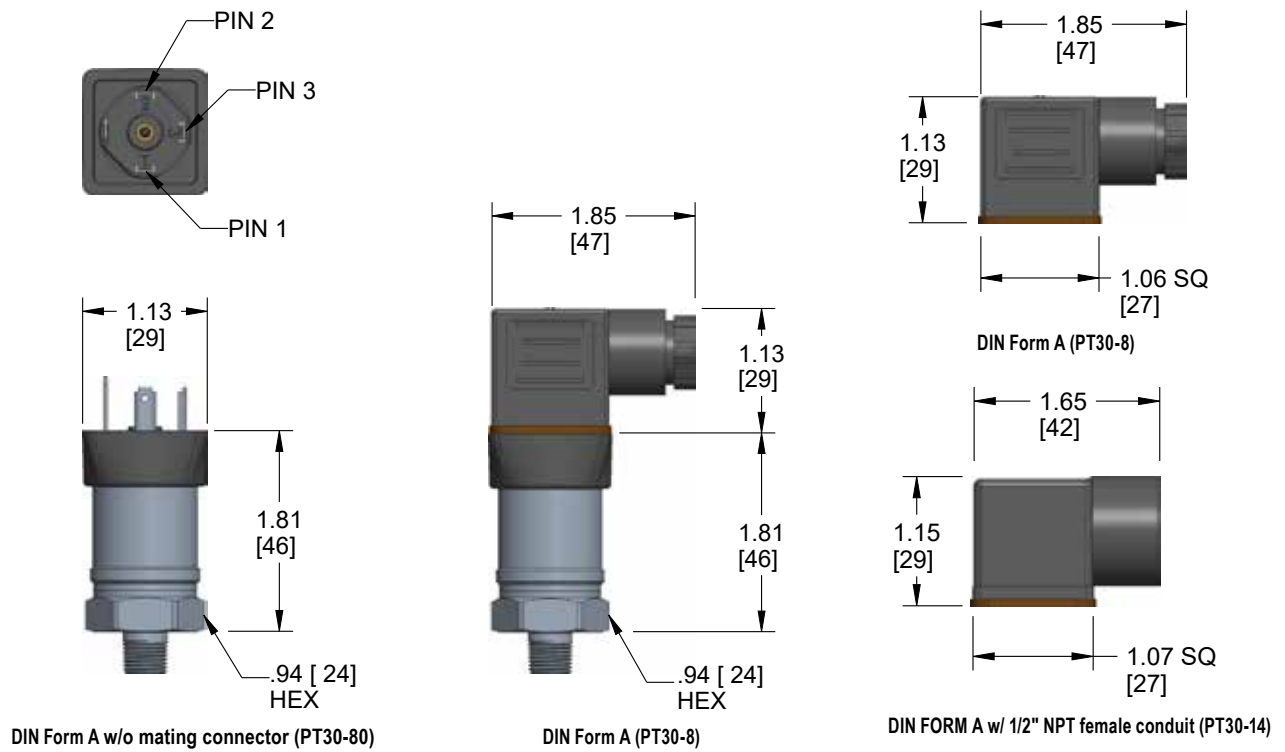


DIN Form C (PT30-7)

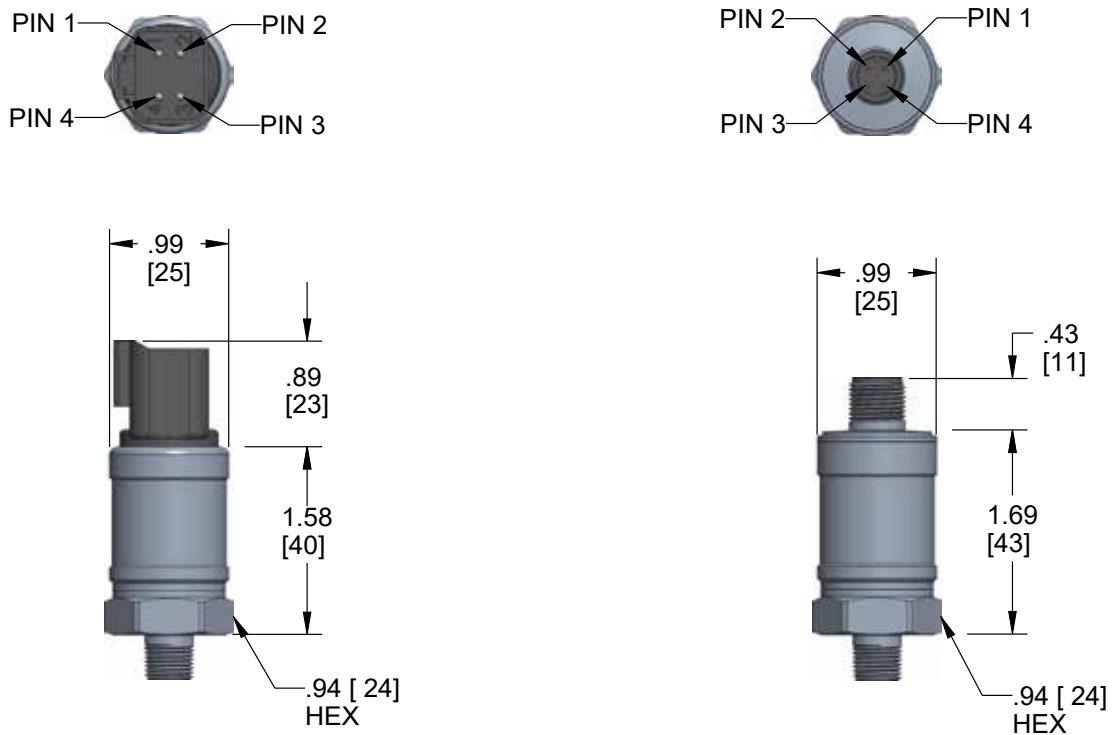


DIN Form C w/o mating connector (PT30-70)

PT30 (DIN EN 175301-803 Form A)

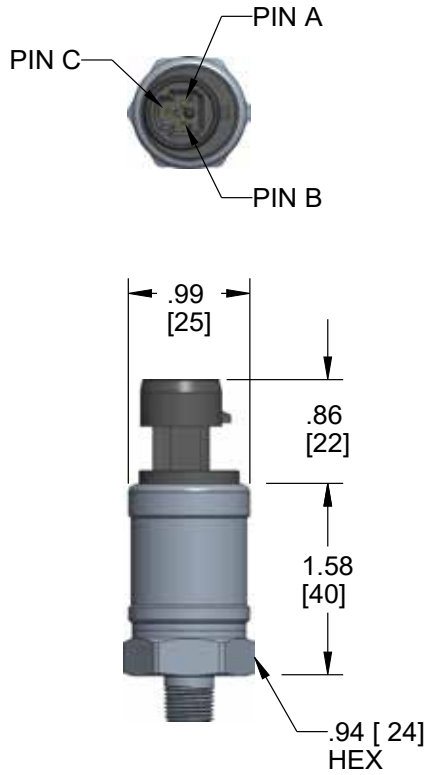


PT30-21 (Deutsch Integral 4-Pin DT04-4P) PT30-25 (M12 x 1 4-pin)

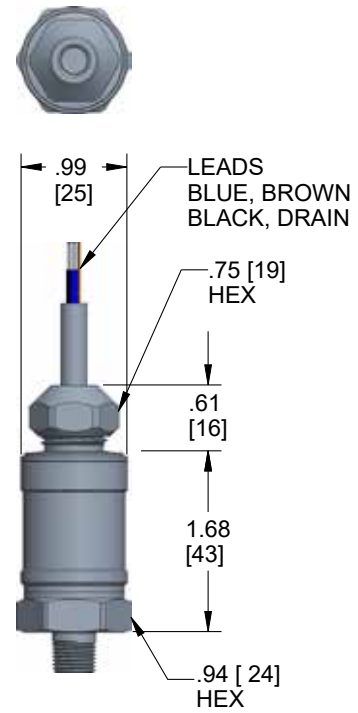


Dimensions

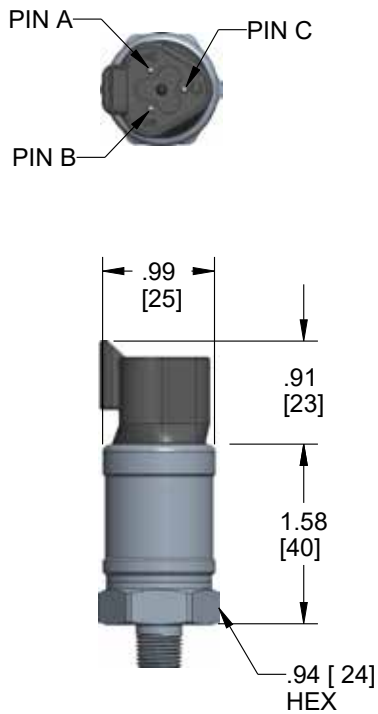
PT30-34 (Packard 3-Pin)



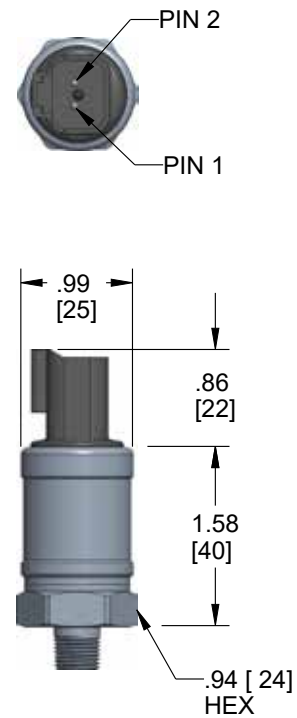
PT30-36 (3 ft. Integral Cable)



PT30-46 (Deutsch Integral 3-Pin DT04-3P)



PT30-66 (Deutsch Integral 2-Pin DT04-2P)



PT30 Process Connections

