

5000

CUSTOM MADE LOAD PIN

Custom made load pin designed to be installed at the same place of a common axle without any big changes of the existing mechanical environment.

Model 5000 - 3 t



Features

- CE certified for hoisting applications and lifts
- Sturdy design
- Stainless steel
- Protection IP 65 (... IP68 : see options)
- Easy to install
- Cable length: 6m
- Complete range of "CE" certified electronics, load limiters and displays available
- Available options (non exhaustive list):
 - o ATEX intrinsic safety Ex II 1GD Ex ia IIC T6 or T4 Ga Ex ia IIIC T80 C Da
 - o protection IP68
 - o high service temperature (up to 180 °C)
 - o amplified output (V or mA)
 - o certified redundant version for SIL3 applications

Applications

The SENSY's load cell 5000 is perfectly designed to the following applications :

- SL - FORCE : Force measurement on cylinders, industrial weighing
- SL - HOIST : Hoisting devices and crane's security in combination with a load limitation electronics
- SL - LIFT : Load limitation for lifts

Capacities

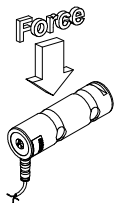
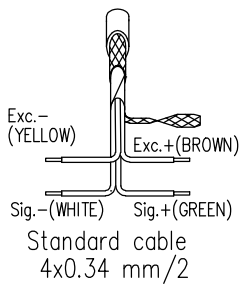
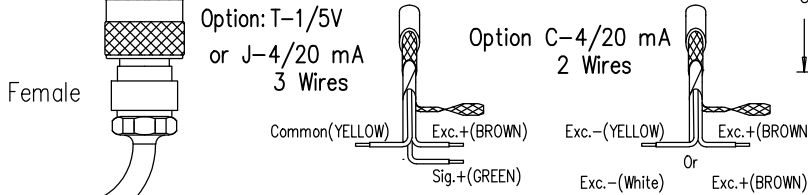
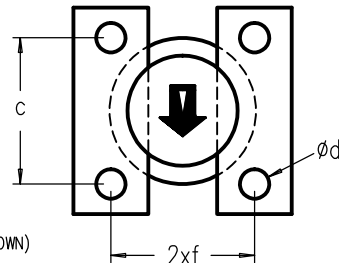
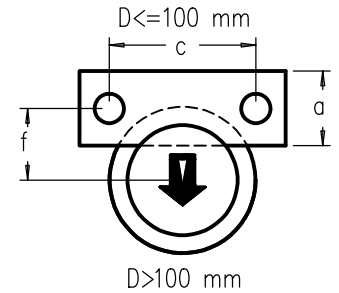
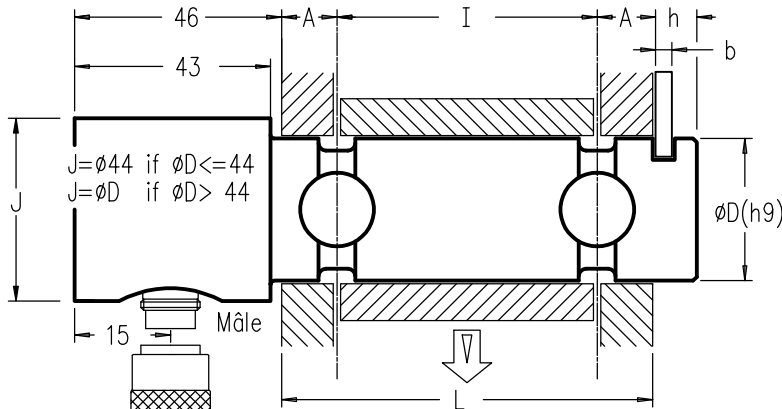
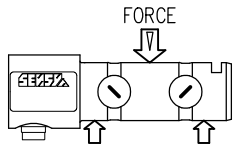
- from 0.5 to 400t (dimensions : see next page)
- from 500t to 3000t (dimensions on request)

Specifications	SL - FORCE	SL - HOIST	SL - LIFT	
Repeatability error	< ± 0.25	< ± 0.25	< ± 0.25	% F.S.
Creep error over 30 min.	< ± 0.3	< ± 0.3	< ± 0.2	% F.S.
Zero shift after loading	< ± 0.5	< ± 0.5	< ± 0.5	% F.S.
Reference temperature	23	23	23	C
Nominal temperature range	-10...+45	-10...+45	-10...+45	C
Service temperature range	-30...+70	-30...+70	-30...+70	C
Storage temperature range	-50...+85	-50...+85	-50...+85	C
Temperature coefficient of the sensitivity	< ± 0.2	< ± 0.2	< ± 0.2	% F.S./10 C
Temperature coefficient of zero signal	< ± 0.2	< ± 0.2	< ± 0.2	% F.S./10 C
Zero balance	± 0.02	± 0.02	± 0.02	mV/V
Input resistance	352 ± 2	352 ± 2	352 ± 2	Ohm
Output resistance	352 ± 2	352 ± 2	352 ± 2	Ohm
Insulation resistance (50V)	> 5000	> 5000	> 5000	Megaohm
Reference excitation voltage	10	10	10	VDC
Nominal range of excitation voltage	3..12	3..12	3..12	VDC
Nominal sensitivity	1.5	1	0.5	mV/V
Safe load limit	150	200	300	% F.S.
Breaking load	> 300	> 500	> 1000	% F.S.
Static lateral force limit	100	150	200	% F.S.
Permissible dynamic loading	50	75	100	% F.S.

F.S.: full scale - Specifications subject to change without notice

LOAD CELLS

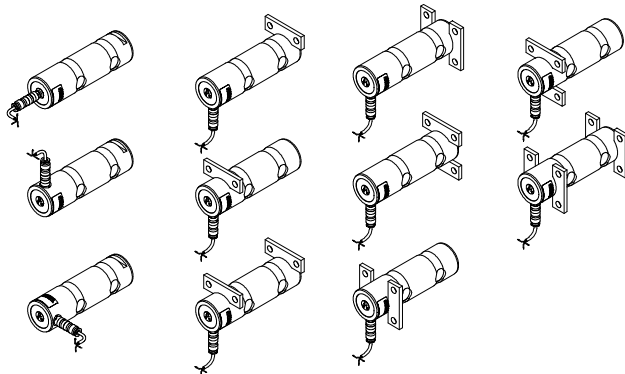
model 5000 stainless steel
 Range 1-1000 t. IP65 (IP67 or IP68 option)
DOUBLE SHEAR BEAM AXLE
 Cable length : 6 m



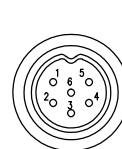
REFERENCE DIMENSIONS										DIMENSIONS STANDARD		
CAP.(t)	øD(h9)	A(min)	I(min)	a	b	c	ød	f	h	øD RANGE	a,b,c,ød,f,h	
0.5	20	7...10	20	25	6	50	11	18	12	18 - 25	Depending directly on the diameter according to DIN 15058	
1.5	30	12	25					22		20 - 35		
2	32		30					23		24 - 40		
3	36		35					24		28 - 45		
4	40		40					26		32 - 50		
6.3	44	14	50					30		8		70
8	49			35	32.5	45 - 60						
10	54			40	35	50 - 65						
16	59			70	36	55 - 79						
20	64	15	60	40	10	100	17	37.5	20	60 - 88		
30	70							50		45	65 - 99	
40	88							60		52	76 - 105	
63	98							70		56	90 - 130	
80	108	20	80	50	12	140	21	60		25	100-140	
100	120							80			70	118-150
125	128							90	72.5		120-160	
140 - 1000 t			to customer design specifications							139-450...		

Some configurations

Configurator on www.loadpin.com



FEMALE-MALE CONNECTOR DIN 45322



- | CONTACT N° | | | } Standard cable |
|------------|------------|----------|------------------|
| 1 | Excitation | - Yellow | |
| 2 | Signal | + Green | |
| 3 | Signal | - White | |
| 4 | Excitation | + Brown | |
| 5 | Sense | - Grey | |
| 6 | Sense | + Pink | |

Cable screen not connected to transducer
 Option f : Cable screen connected to transducer
 (6 wires cable in option)

Cable screen connected to transducer for option t,C,J