



# L1319

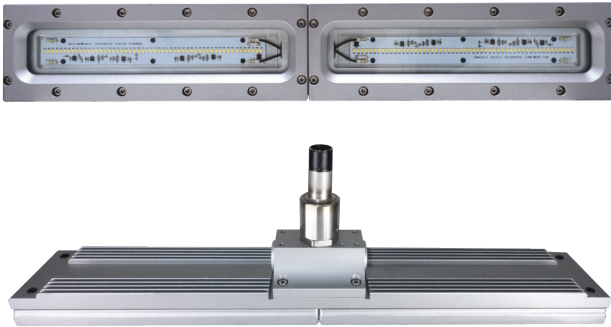
## Luminaires For Use In Hazardous Locations

**CID1**  
Group  
B, C, D

**CIID2**  
Group  
F, G

**IP67**

**NEMA**  
6



### Protection

#### 40W

- Class I, Division 1, Group B, C, D
- Class II, Division 2, Groups F and G
- Class III

#### 60W

- Class I, Division 1, Group B, C, D

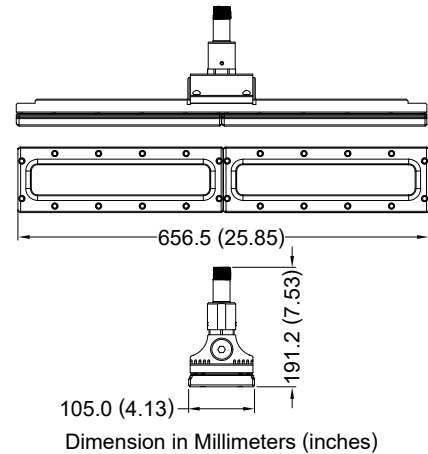
### Standards

- UL 844
- UL 1598 Luminaires
- UL 8750
- CSA C22.2 No. 137-M1981
- CSA C22.2 No. 30-M1986
- CSA C22.2 No. 25-1996
- CSA C22.2 No. 250.0
- CSA C22.2 No. 250.13

Net Weight: 7.4 kg (16.3 lb)

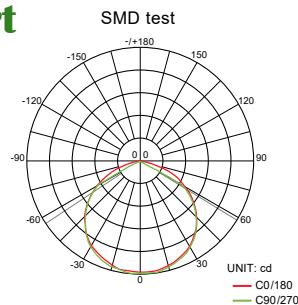
## Technical Data

Rated Voltage (±10%)	120V / 277V AC		
Watts (±10%)	40W / 60W		
Amps	40W 120V: 0.33A, 277V: 0.14A / 60W 120V: 0.50A, 277V: 0.22A		
Color of LED Light	3000K (Warm White) / 5000K (Cool White)		
Ambient Temperature	CID1: -40°C ~ +55°C, T6 / CIID2: +55°C, T6		
Power Factor	cos ≥ 0.9		
CRI	Cool White ≥ 70 / Warm White ≥ 80		
Lumen (±10%)	SMD	40W	60W
	3000K	3600lm	5400lm
	5000K	4000lm	6000lm
Beam Angle	X-116° / Y-113°		
Frequency	50 / 60 Hz		
Degree of Protection	IP67 / NEMA 6		
Material	<ul style="list-style-type: none"> <li>• Enclosure: Aluminum alloy</li> <li>• Glass: Tempered glass</li> </ul>		
LED Service Life	60,000 hrs		
Entrance Thread	1 × NPT 3/4"		

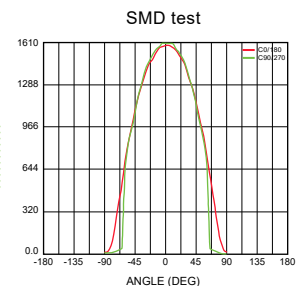


## Optical Report

Polar Luminous Intensity Distribution



Luminous Intensity Distribution Diagram



## Model Code

<b>THT</b>	<b>E</b>	<b>1319</b>	<b>A</b>	<b>C</b>	<b>H</b>	<b>C</b>	<b>9</b>	<b>D0</b>	<b>C90</b>
						①	②	③	④

① **C.C.T.**

C=Cool White  
W=Warm White

② **Voltage**

6=120V  
9=277V

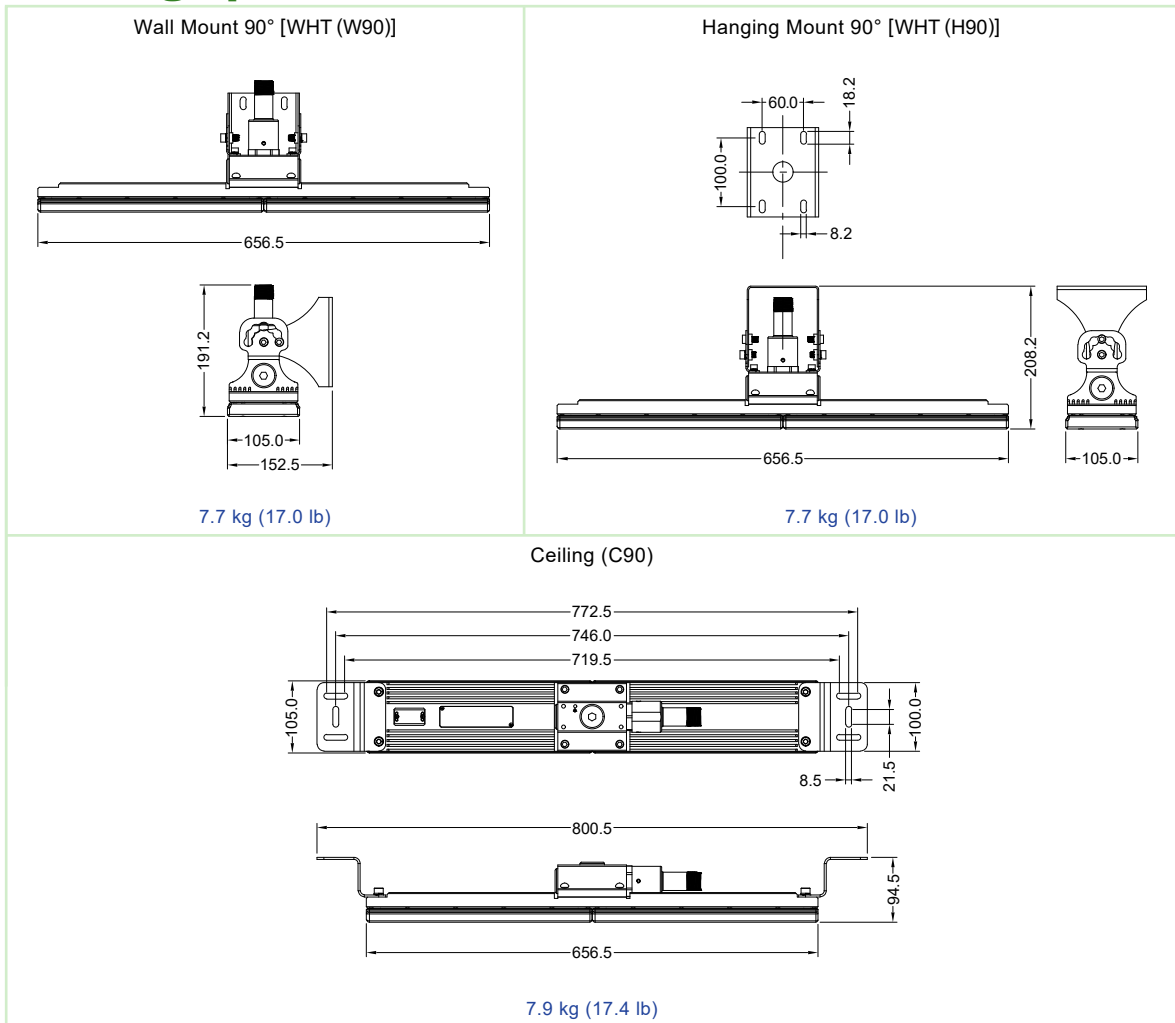
③ **Wattage**

D0=40W  
F0=60W

④ **Mounting Bracket Type**

C90=Ceiling  
WHT(W90)= Wall Mount 90°  
WHT(H90)=Hanging Mount 90°

## Mounting Option & Dimensions (All in mm)



### Applicable Area

- Oil Refinery Complex
- Painting Facility
- Transporting Liquefied
- Offshore Platform
- Petrochemical Complex
- Transporting Nature Gas
- Petroleum Gas
- (Oil and Natural Gas)