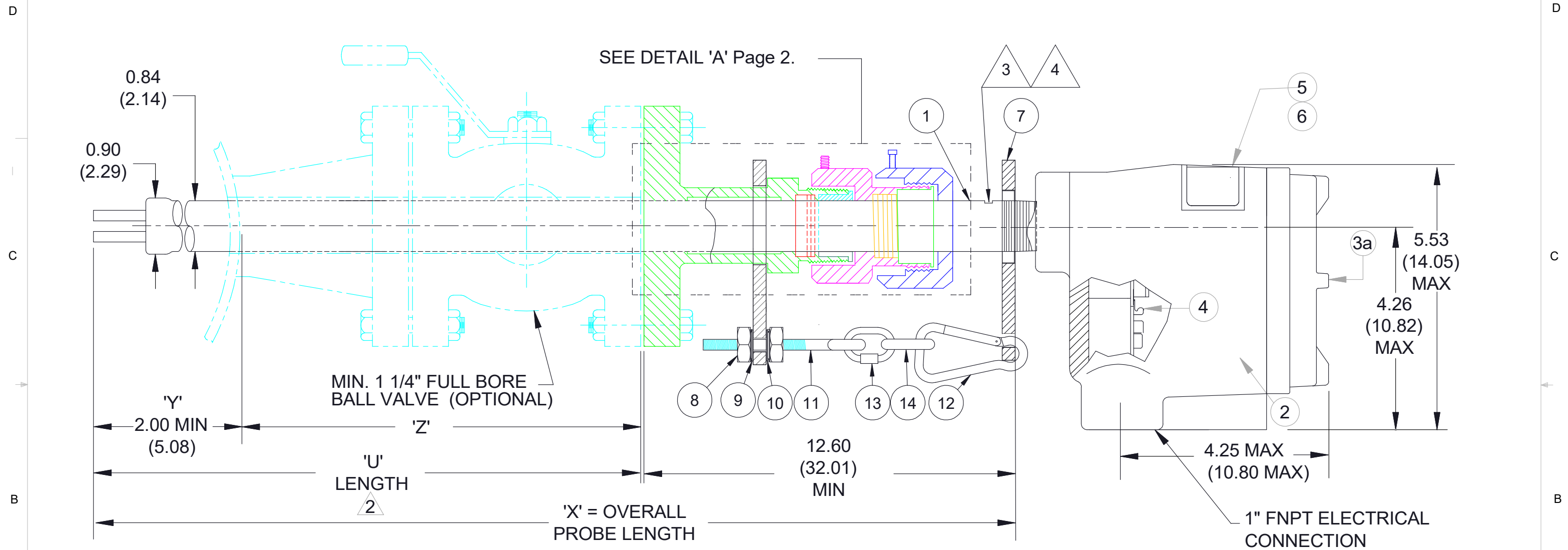


REVISIONS				
ZONE	REV.	DESCRIPTION	DATE	APPROVED
All	1	Initial Release	19MAR23	



NOTES:

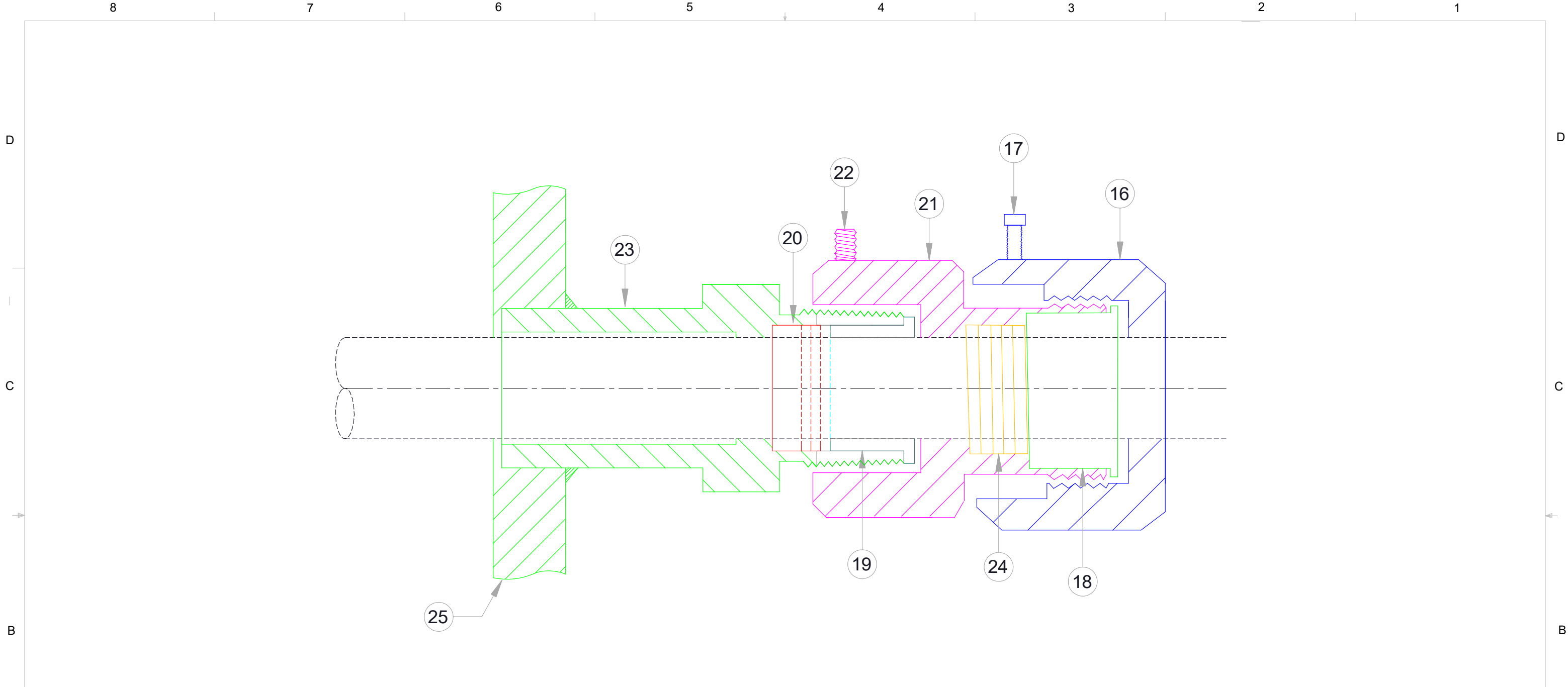
- 1. (1) to (6) see parts list.
- 2. Customer specified 'U' length. 'U' =
- 3. 4. Install top and bottom mounted units in horizontal pipe with flow arrow  $\longleftrightarrow$  parallel to flow direction.
- 5. Flange: Size: \_\_\_\_\_ Material: \_\_\_\_\_

UNLESS OTHERWISE SPECIFIED:	NAME	DATE
DIMENSIONS ARE IN INCHES	DRAWN NSP	19MAR23
TOLERANCES: ANGULAR: 0.5° ONE PLACE DECIMAL ±0.1 TWO PLACE DECIMAL ±0.02 THREE PLACE DECIMAL ±0.007	CHECKED	
INTERPRET GEOMETRIC TOLERANCING PER:	ENG APPR.	
MATERIAL	COMMENTS:	
FINISH		
DO NOT SCALE DRAWING		



TITLE:  
**CLASSIC 814 Series**  
 Packing Gland - Flanged - 1" MNPT  
 Low Pressure (125 PSI) w/Safety Chain  
 Remote Electronics

SIZE	DWG. NO.	REV
<b>B</b>	814-RAAYYYAJ-IXXXX-RE	1



**NOTES:**

- All components - 316 Stainless Steel  
(except packing)

UNLESS OTHERWISE SPECIFIED:		NAME	DATE
DIMENSIONS ARE IN INCHES	DRAWN	NSP	19MAR23
TOLERANCES: ANGULAR: 0.5° ONE PLACE DECIMAL ±0.1 TWO PLACE DECIMAL ±0.02 THREE PLACE DECIMAL ±0.007	CHECKED		
INTERPRET GEOMETRIC TOLERANCING PER:	ENG APPR.		
MATERIAL	COMMENTS:		
FINISH			
DO NOT SCALE DRAWING			

**KAYDEN**<sup>®</sup>  
I N S T R U M E N T S

TITLE: CLASSIC 814 Series  
Packing Gland - Flanged - 1" MNPT  
Low Pressure (125 PSI) w/Safety Chain  
Local/Remote Electronics: Detail 'A' Drawing

SIZE	DWG. NO.	REV
<b>B</b>	814-RAAYYYAJ-IXXXX-RE	1

BOM

ITEM	DESCRIPTION	PART NUMBER	QTY
*1	Sensor Assembly, (probe only)	P32-RAEJXXXX	1
2	Flameproof Enclosure (3/4" x 1" FNPT)	N10-100A-D	1
3a	<input checked="" type="checkbox"/> Glass Lens Cover - Flameproof	M10-1G00	1
3b	<input type="checkbox"/> Blind Cover - Flameproof	M10-1B00	1
4	Remote Terminal Assembly for Sensor Enclosure	1790-0622-C	1
5	Nameplate, Foil	2400-0002	1
6	Nameplate, Overlay	2401-0001	1
7	Rear Support, Low Pressure w/Chain	2510-0311	1
8	5/16" Nut, SS	2510-0418	2
9	5/16" Lock Washer, SS	2510-0424	2
10	5/16" Flat Washer, SS	2510-0425	2
11	5/16" x 4 1/4" Eyebolt-Galv. CS	2510-0433	1
12	Snap Spring, 1/2" SS	2510-0435	1
13	3/16" Quick Link, SS	2510-0436	1
14	3/16" Zinc Plated Chain	2510-0437	4
15	Hardware Reducer 3/4" x 1/2" (Optional)	2510-0021	1
***** ITEMS 16 THROUGH 25 REFER TO PAGE 2 (DETAIL 'A') *****			
16	Nut	2510-0413-2	1
17	Hex Cap Screw, 1/4" - 28 x 1/2" SS	2540-0020	2
18	Packing Follower	2510-0307-B	2
19	Seal Follower	2510-0304-B	1
20	Seal (U-Cup)	2510-0440	1
21	Nut w/Coupling	2510-0306-B	17"
22	Stainless Steel Set Screw, 10-24 x 3/8" Allen	2540-0021	1
23	Sleeve	2510-0300-B	1
24	1/8" SQ. Teflon	Z2510-0429	1
25	Flange	YYY	1

NOTES:

\*1. a) Sensor Assembly Selection Guide:

P22-RAAYYYAJ-IXXXX-M Where XXXX = Desired Probe 'U' Length.

eg. 'U' Length = 3.5" = P22-RAAYYYAT-I0035-M or 36" = P22-RAAYYYAJ-I0360-M

b) I = Imperial (inches)

M = Metric (cm)

c) P22-RAAYYYAJ-IXXXX-M (Where YYY = Code for type of flange)

eg. Flange = 1 1/2". 150# = (P22-RAA131AJ-IXXXX-M) See flange list

UNLESS OTHERWISE SPECIFIED:		NAME	DATE
DIMENSIONS ARE IN INCHES	DRAWN	NSP	19MAR23
TOLERANCES: ANGULAR: 0.5° ONE PLACE DECIMAL ±0.1 TWO PLACE DECIMAL ±0.02 THREE PLACE DECIMAL ±0.007	CHECKED		
INTERPRET GEOMETRIC TOLERANCING PER:	ENG APPR.		
MATERIAL			
FINISH	COMMENTS:	SIZE	DWG. NO.
DO NOT SCALE DRAWING		B	814-RAAYYYAJ-IXXXX-RE
			REV 1



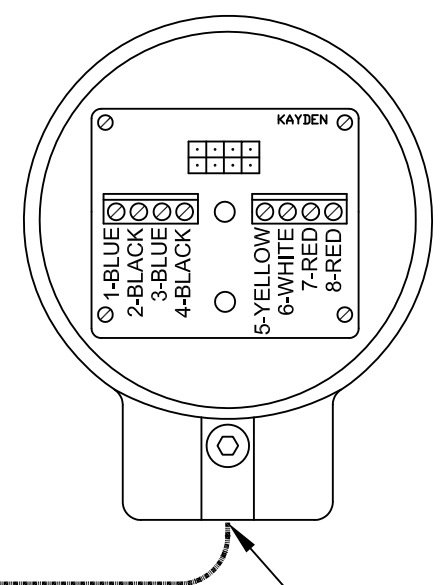
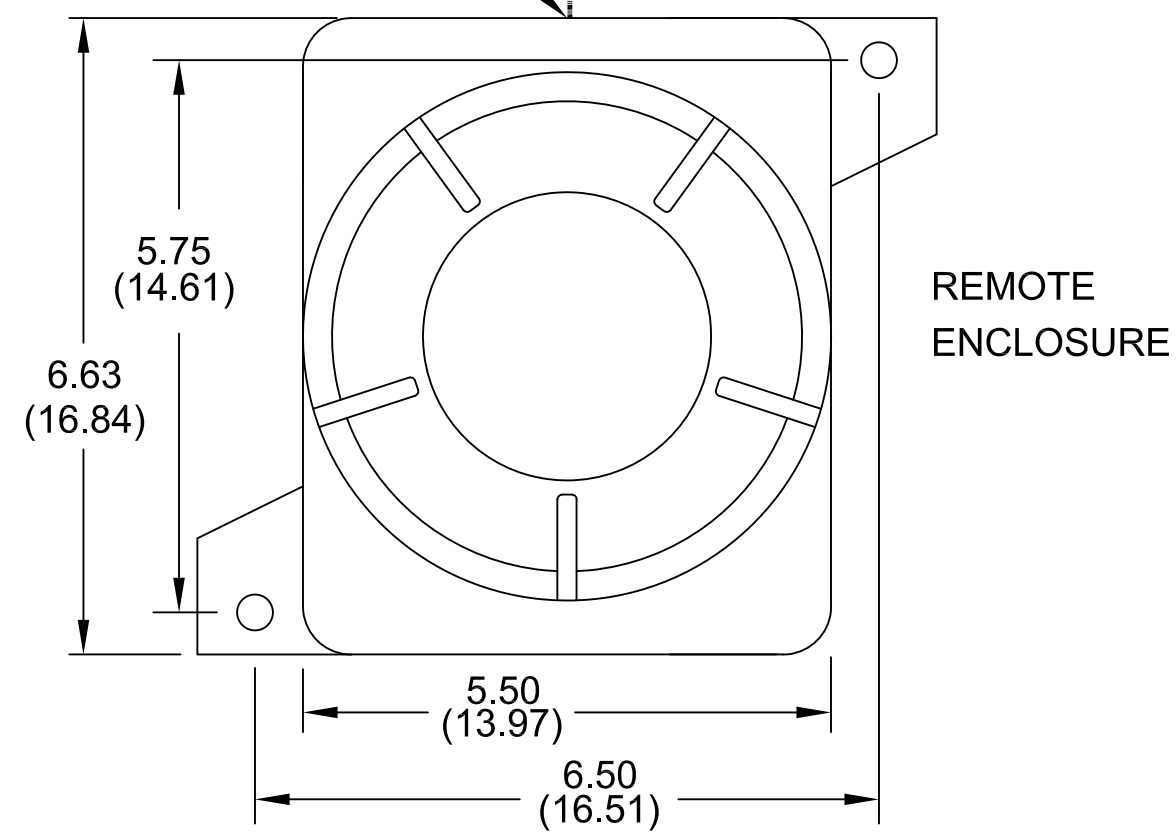
TITLE: Parts List - CLASSIC 814 Series  
Packing Gland - Flanged - 1" MNPT  
Low Pressure (125 PSI) w/Safety Chain  
Remote Electronics

SCALE: NTS	WEIGHT:	SHEET 3 OF 5
------------	---------	--------------

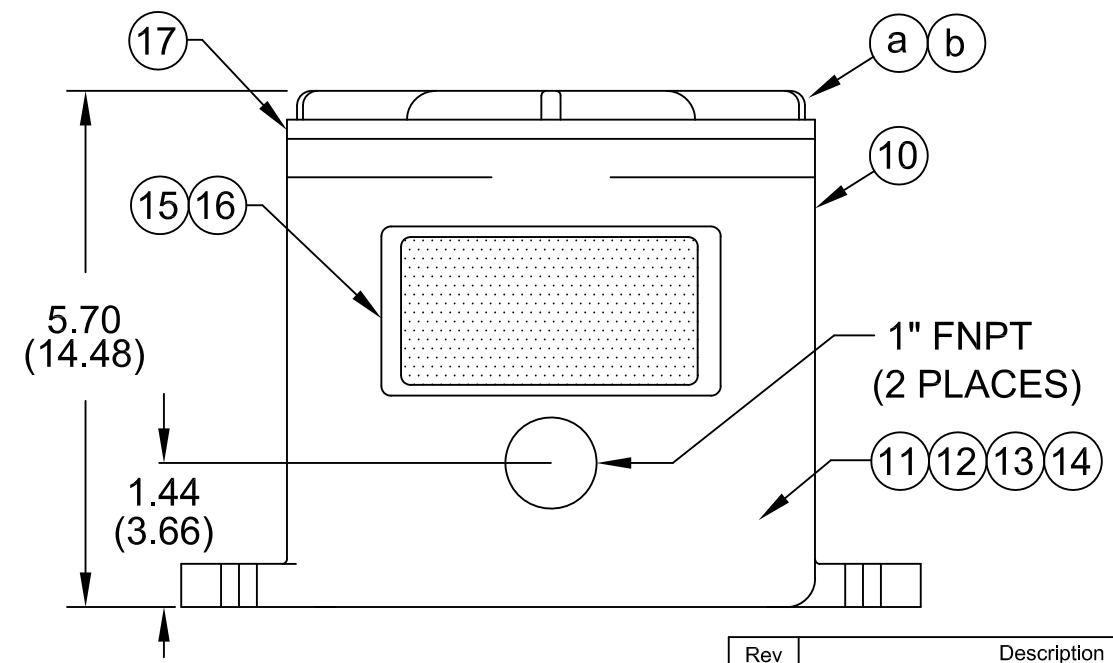
1" FNPT ELECTRONIC CONNECTION

FIELD WIRING

SENSOR ENCLOSURE



1" FNPT ELECTRICAL CONNECTION



Information contained in this document is confidential and proprietary information of Telematic Controls Inc. This document may not be reproduced or distributed for any reason without express written permission of Telematic Controls Inc. All rights of design, invention and copyright are reserved.

APPROVALS	DATE
DRN MW	13MAY13
CHKD EC	21MAY13
APP TDH	03JUN13

**KAYDEN**  
INSTRUMENTS

All dimensions are shown in inches with cm shown in brackets

TOLERANCES ARE:

DECIMALS	ANGLES
.X ± 0.1	±0.5°
.XX ± 0.02	
.XXX ± 0.007	

TITLE CLASSIC Series Remote Electronics Flameproof Enclosure (CSA)

SIZE A3 DWG NO. 7730-0000-1-CSA REV 0

SCALE NTS SHEET 4 OF 5

Rev	Description	App.	Date
0	Initial release	TDH	03Jun13


NOTES:  
1. Wire according to connection diagram.

ITEM	DESCRIPTION	PART NUMBER	QTY
10	Flameproof Remote Enclosure	1409-1201	1
a	<input type="checkbox"/> Glass Lens Cover - Flameproof	1409-1208	1
b	<input type="checkbox"/> Blind Cover - Flameproof	1409-1207	1
11	Terminal Assembly	2511-0012	1
12	Ground Screw	2540-0023	1
13	CLASSIC Electronics Module	L10-800-C-E	1
	(12-24 VDC, 115-230 VAC)		
14	Mounting Screws (316 SS)	2540-0007	2
15	Nameplate, Foil	2400-0007	1
16	Nameplate, Overlay	2401-0001	1
17	Cover Gasket	1499-1301	1

Information contained in this document is confidential and proprietary information of Telematic Controls Inc. This document may not be reproduced or distributed for any reason without express written permission of Telematic Controls Inc. All rights of design, invention and copyright are reserved.

Rev	Description	App.	Date
0	Initial release	TDH	03Jun13

APPROVALS		DATE
DRN	MW	13MAY13
CHKD	EC	21MAY13
APP	TDH	03JUN13



TITLE		
Parts List - CLASSIC Series Remote Electronics Flameproof Enclosure (CSA)		
SIZE	DWG NO.	REV
A3	7730-0000-2-CSA	0
SCALE	NTS	SHEET 5 OF 5

All dimensions are shown in inches with cm shown in brackets  
 TOLERANCES ARE:  
 DECIMALS      ANGLES  
 .X ± 0.1          ±0.5°  
 .XX ± 0.02  
 .XXX ± 0.007