

0.5% Industrial Pressure Transmitter Series PT-200

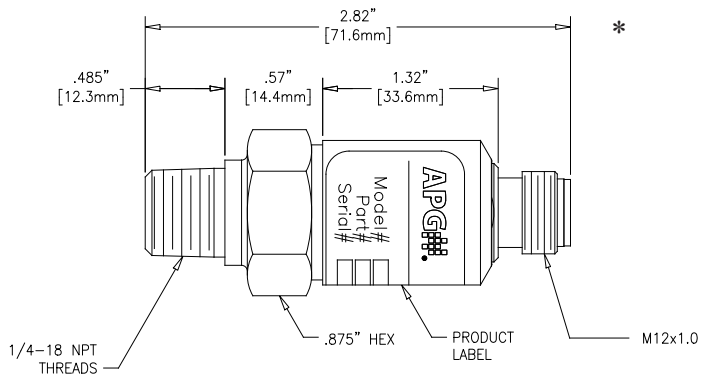
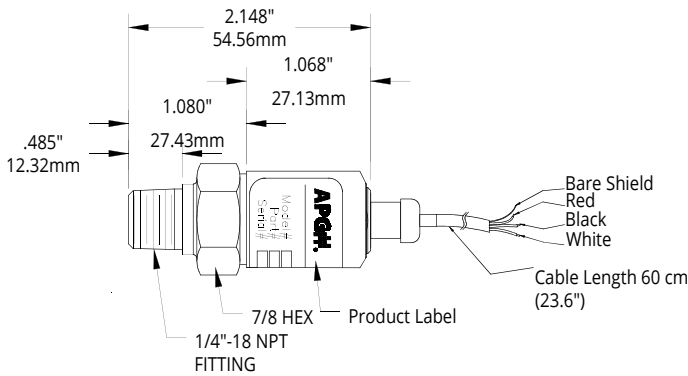
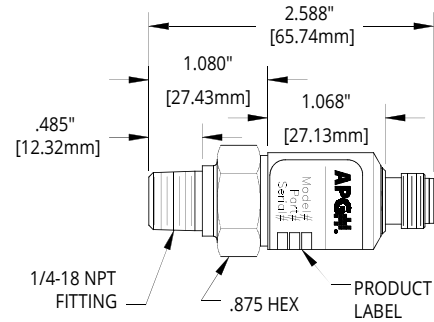
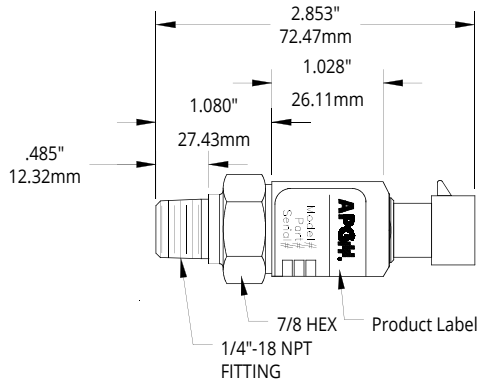


Series PT-200 0.5% Industrial Pressure Transmitters are rugged, general purpose sensors that offer reliable and accurate measurements under harsh conditions. The sensor fitting is machined from a solid piece of 17-4PH SS to provide stable operation when subjected to shock and vibration. PT-200s also incorporate digital compensation and temperature correction for high accuracy and stability.

Features

- Cost effective
- High overpressure capability
- Single piece stainless steel process fitting and sensor
- Choice of three common electrical connections

PT-200 Specifications



Performance

Accuracy

±0.5% BFSL

Thermal Shift Stability

Zero: ±0.01% FSO/°C (±0.02% FSO/°F) or ±1.5% FS*

Span: ±0.02% FSO/°C (±0.04% FSO/°F) or ±2% FS*

Long-Term Stability

< ±0.5% FSO/year or < ±0.25% FS/year*

Proof Pressure: 2x full scale

Burst Pressure: 3.5x full scale or 3x full scale*

Note: *This option refers to M12 connectors with 100 psi and 150 psi units only

Electrical

Supply Voltage: 9 - 32 VDC

Loop Resistance: < 100 Ω

Current Draw: < 30 mA

Physical

Wetted Materials: 17-4PH SS

Housing Materials: 304 SS

Process Connection: 1/4" - 18 Male NPT

Environmental

Operating Temp: -10° to 100°C (14° to 212°F)

or -10° to 85°C (14° to 185°F)*

Compensated Temp: 0° to 85°C (32° to 185°F)

or 0° to 70°C (32° to 158°F)*

Storage Temp: -20 to 125°C (-4 to 257°F)

Enclosure Protection: IP65

Common Model Configurations

4-20 mA Output, 1/4" Male NPT, 17-4PH SS

Model Number	Model Description
PT-200-L1-100PSIG-E5-P0	0-100 PSI , Gauge Pressure Reference, 2 ft. (60 cm) cable
PT-200-L1-250PSIG-E5-P0	0-250 PSI , Gauge Pressure Reference, 2 ft. (60 cm) cable
PT-200-L1-500PSIG-E5-P0	0-500 PSI , Gauge Pressure Reference, 2 ft. (60 cm) cable
PT-200-L1-1000PSIG-E5-P0	0-1,000 PSI , Gauge Pressure Reference, 2 ft. (60 cm) cable
PT-200-L1-2500PSIG-E5-P0	0-2,500 PSI , Gauge Pressure Reference, 2 ft. (60 cm) cable
PT-200-L1-5000PSIG-E5-P0	0-5,000 PSI , Gauge Pressure Reference, 2 ft. (60 cm) cable
PT-200-L1-10000PSIG-E5-P0	0-10,000 PSI , Gauge Pressure Reference, 2 ft. (60 cm) cable
PT-200-L1-100PSIG-E51-P0	0-100 PSI , Gauge Pressure Reference, Packard Connector
PT-200-L1-250PSIG-E51-P0	0-250 PSI , Gauge Pressure Reference, Packard Connector
PT-200-L1-500PSIG-E51-P0	0-500 PSI , Gauge Pressure Reference, Packard Connector
PT-200-L1-1000PSIG-E51-P0	0-1,000 PSI , Gauge Pressure Reference, Packard Connector
PT-200-L1-2500PSIG-E51-P0	0-2,500 PSI , Gauge Pressure Reference, Packard Connector
PT-200-L1-5000PSIG-E51-P0	0-5,000 PSI , Gauge Pressure Reference, Packard Connector
PT-200-L1-10000PSIG-E51-P0	0-10,000 PSI , Gauge Pressure Reference, Packard Connector

Accessories

Please order separately, by part number.

Description	Part Number
3-pin Packard Connector with 3 ft. Cable	122991-0008
3-pin Packard Connector with 9 ft. Cable	122991-0009
3-pin Packard Connector with 18 ft. Cable	122991-0010

Model Configuration Options



Model Number: PT-200 - - - -
 A B C D E

A. Output

- L1** 4-20 mA

B. Common Pressure Ranges

- 100** **250** **500** **2500** **10000**
- 200** **300** **1000** **5000**

C. Unit of Measure

- PSIG** Gauge

D. Electrical Connection

- E4** M12 Connector
- E5** Pigtail with 2 ft. (60 cm) of cable
- E51** Packard Connector

E. Process Connection

- P0** 1/4"-18 Male NPT