

L1217

120W



Net Weight: 11.0 kg (24.2 lb)



High Humidity & Heat Resistant LED Light

- ★ AC LED Driver-less Technology
- ★ Intended for Use in High Ambient Temperature Environments

High Ambient Temperature:
+65°C ~ +100°C (+149°F ~ +212°F)



Applications:

- Pulp & Paper (Cooking and Drying Area)
- Glass Factory (Processing Area)
- Metal Forging or Metal Recycling Plant (Heating or Forging Area)
- Oil & Gas (Furnace Towers or Compressor Rooms)
- Garbage Processing Plant (Burning Area)
- Coal Power Plant (Burning Area)
- Gas Turbine Power Plant (Gas Turbine Area)
- Painting Factory (Drying Area)
- Winery (Distillation Chamber)
- Textile (Dyeing and Finishing Area)
- Food Process (Heating, Cooking or Baking Area)

Standards:

UL 844
UL 1598
UL 8750
IEC 60079
EN 60079
CSA C22.2 No.250.0

Protection:

IP67

Electrical:

Rated Voltage (±10%)	120V / 220V / 277V AC	
Watts (±10%)	120W	
Amps	120V: 1.00A / 220V: 0.55A / 277V: 0.43A	Amp = Watt. / Volt.
Power Factor	cos ≥ 0.9	
Frequency	50 / 60 Hz	
LED Service Life	60,000 hrs*	*L70 at 55°C Ambient Temperature
Warranty	1 year warranty without warranting lumen depreciation.	

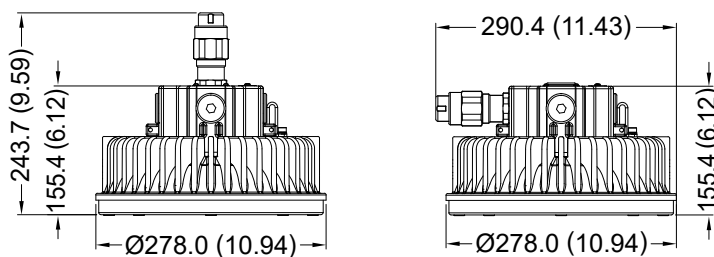
Mechanical:

Enclosure	Aluminum Alloy
Glass	Tempered Glass
Cable Gland	Stainless Steel
Entrance Thread	4 × M25 or 1 × G1-1/2"

Optical:

Color of LED Light	5000K (Cool White)
CRI	≥ 70
Beam Angle	X-110° / Y-110°
Lm / W (±10%)	105 lm/w
Lumen (±10%)	12600 lm

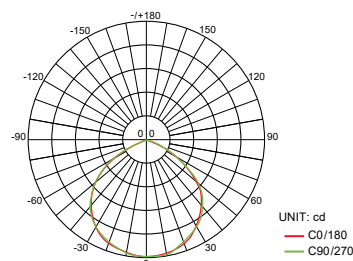
Dimension: In mm (inches)



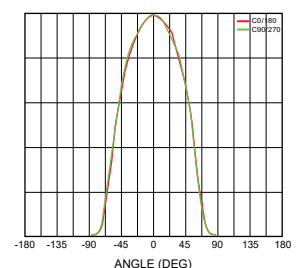
Optical Report:

COB test

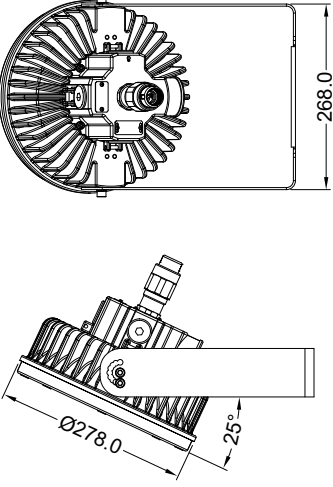
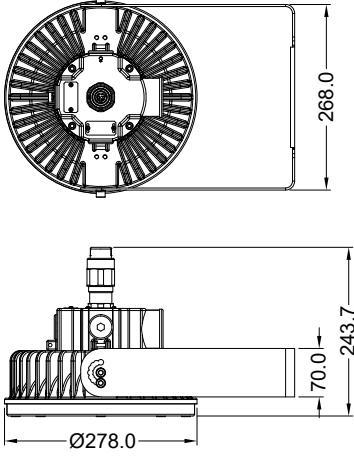
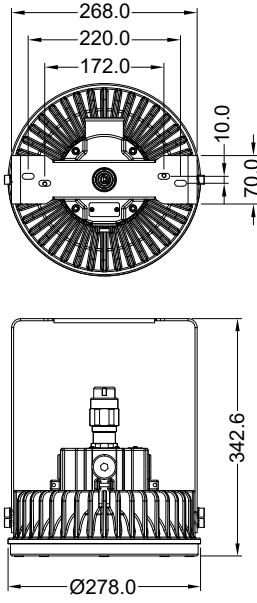
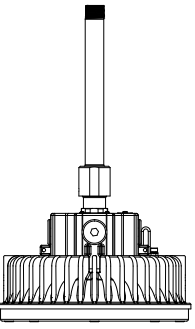
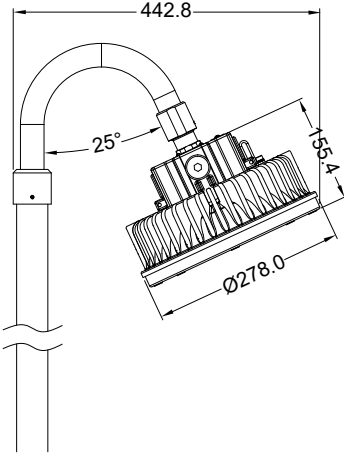
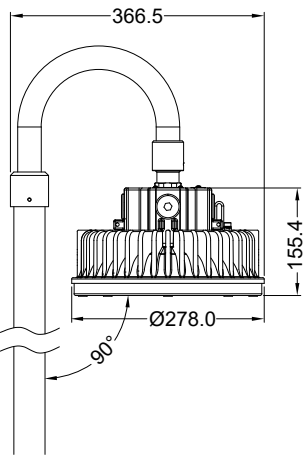
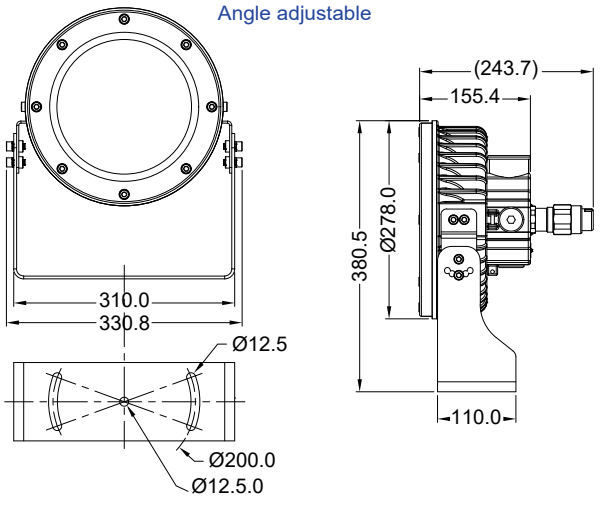
Polar Luminous Intensity Distribution



Luminous Intensity Distribution Diagram



Mounting Option & Dimension : In mm (inches)

<p>Wall Mount 25° (W25)</p>  <p>12.1 kg (26.7 lb)</p>	<p>Wall Mount 90° (W90)</p>  <p>12.1 kg (26.7 lb)</p>	<p>Hanging Mount 90° (H90)</p>  <p>12.1 kg (26.7 lb)</p>	<p>Pendant (P90)</p>  <p>11.3 kg (24.9 lb)</p>
<p>Stanchion 25° (S25)</p>  <p>12.0 kg (26.5 lb)</p>	<p>Stanchion 90° (S90)</p>  <p>12.1 kg (26.7 lb)</p>	<p>Projection (RO) Angle adjustable</p>  <p>12.3 kg (27.1 lb)</p>	