



This 3-way ball valve offers diverting and mixing flow patterns, often eliminating the need for two valves. The full port design is easily automated and is available with various seat materials. The bolts on side flanges make for easy seat changes as necessary to accommodate your service. Available in L or T port configurations.



Series 30

3-Way Flanged Ball Valve

Sizes 1-1/2" - 12"

316SST or WCB

Full Port Design

ANSI Class 150 and 300

1-pc Ball & Stem

Blowout Proof Stem

RTFE Seats Standard

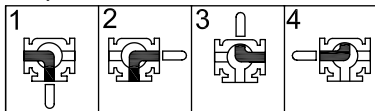
"L" or "T" Port Option

Trunnion Ball Design

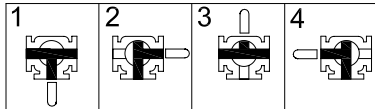
Lockable Manual Handle

FLOW PATTERNS

3-Way L-Port



3-Way T-Port



Cv Values

VALVE SIZE	T-PORT STRAIGHT THRU	L & T-PORT 90°
1-1/2"	198	50
2"	430	120
2-1/2"	670	158
3"	1,170	275
4"	2,070	422
6"	5,000	788
8"	8,800	1,828
10"	13,500	3,159
12"	20,130	4,626

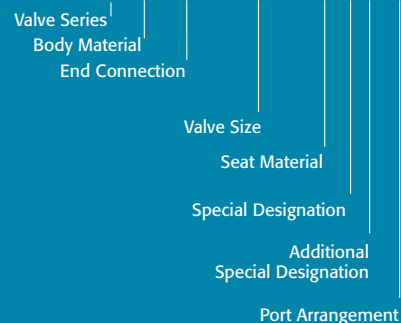
STANDARDS

Design: ANSI/ASME B16.34
 Flanged Ends: ANSI/ASME B16.5
 Face-to-Face: (per factory's standard)
 Pressure Testing: API 598
 Mounting: ISO 5211
 Marking System for Valves: MSS SP-25
 Material Certification: EN 10204-3.1 MTR
 Quality Assurance: ISO 9001:2008

**HOW TO ORDER
MANUAL VALVES**

SAMPLE PART #

30C-F1-0150-XXX-T



See part number matrix for itemized options

Easy to Automate!

See automated data sheets for pre-sized assemblies



Pneumatic

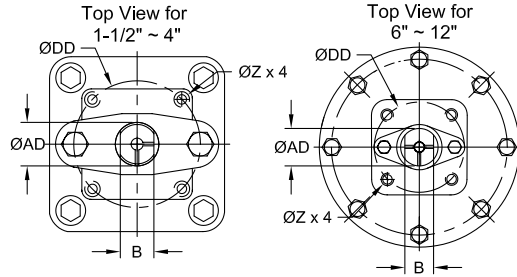
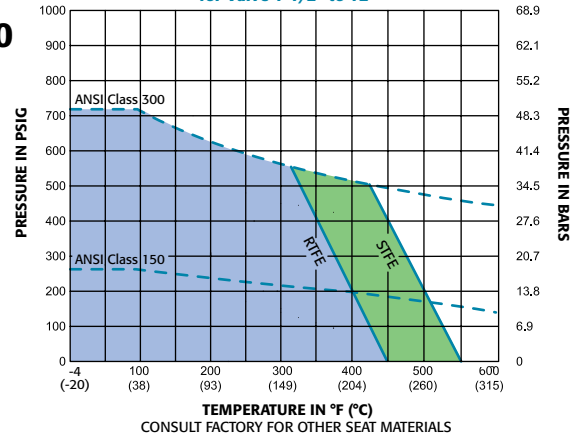


Electric

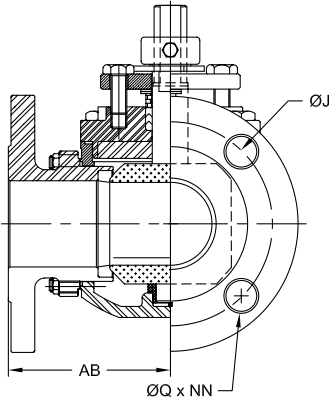
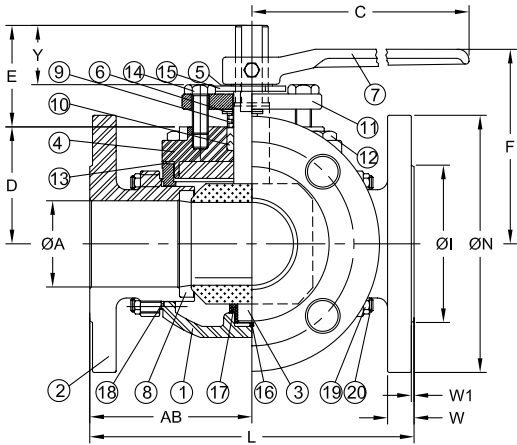
Series 30

Three-Way Flanged Ball Valve Full Port, L or T Option ANSI Class 150 and 300

Pressure vs. Temperature Chart
for Valve 1-1/2" to 12"



8" and larger
require a gear
operator instead of
a handle



Break Away Torque for RTFE Seats		
SIZE	Class 150	Class 300
IN-LBS.		
1-1/2"	650	910
2"	900	1260
2-1/2"	1900	2660
3"	2000	2800
4"	3900	5460
6"	9500	12,320
8"	20,000	25,200
10"	32,500	45,500
12"	43,750	61,250

FOR OTHER SEAT MATERIAL CONSULT FACTORY

MATERIALS LIST

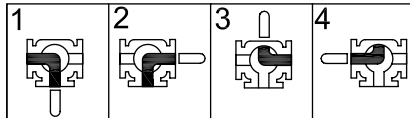
NO.	PART NAME	QTY	STAINLESS STEEL	CARBON STEEL
1	BODY	1	ASTM A351 GRADE CF8M	ASTM A216 GRADE WCB
2	FLANGE	3	ASTM A351 GRADE CF8M	ASTM A216 GRADE WCB
3	BALL & STEM	1	ASTM A276 SS316	AISI 304
4	TOP COVER	1	ASTM A351 GRADE CF8M	ASTM A216 GRADE WCB
5	C RETAINER RING	1	AISI 301	AISI 301
6	BELLEVILLE WASHER	2	AISI 301	AISI 301
7	HANDLE	1	CAST IRON	CAST IRON
8	SEATS	3	RTFE	RTFE
9	GLAND	1	AISI 304	AISI 304
10	V-RING PACKING	3	PTFE	PTFE
11	BONNET CAP	1	ASTM A351 GRADE CF8M	ASTM A351 GRADE CF8M
12	COVER BOLT	*	ASTM A193 GRADE B8	ASTM A193 GRADE B7
13	COVER JOINT GASKET	1	PTFE	PTFE
14	BONNET CAP BOLT	2	AISI 304	AISI 304
15	STOPPER	1	AISI 304	AISI 304
16	SPRING	1	AISI 304	AISI 304
17	BUSHING	1	50/50 STFE	50/50 STFE
18	FLANGE GASKET	3	PTFE	PTFE
19	NUT	**	ASTM A194 GRADE 8	ASTM A194 GRADE 2H
20	STUD	**	ASTM A193 GRADE B8	ASTM A193 GRADE B7

*FOR 1-1/2"-4" (4 PCS)
FOR 6" (10 PCS)
FOR 8" (12 PCS)
FOR 10" (18 PCS)
FOR 12" (24 PCS)

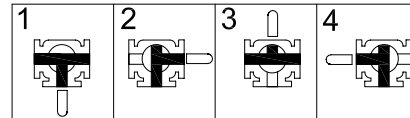
**FOR 1-1/2"-3" (12 PCS)
FOR 6"-8" (24 PCS)
FOR 10" (48 PCS)
FOR 12" (60 PCS)

FLOW PATTERNS

3-Way L-Port



3-Way T-Port



DIMENSIONS For ANSI Class 150 (IN)

SIZE	ØA	B	C	D	^D	E	^E	F	^F	ØI	ØJ	L	^L	ØN	ØQ	W	W1	Y	^Y	ØZ	^AB	^AB	ØAD	ØDD	NN	LBS.	ISO5211
1-1/2"	1.57	0.669	11.22	2.48	2.48	1.77	1.77	4.92	4.92	2.88	3.87	7.20	7.20	5.01	0.60	0.57	0.06	0.80	0.80	5/16-18	3.60	3.60	0.866	1.969	4	33	F05
2"	2.03	0.669	11.22	2.87	2.87	1.77	1.77	4.92	4.92	3.62	4.77	8.66	8.66	6.02	0.75	0.63	0.06	0.80	0.80	3/8-16	4.33	4.33	0.866	2.756	4	40	F07
2-1/2"	2.55	0.669	15.75	3.78	3.78	2.70	2.70	5.91	5.91	4.18	5.50	11.06	11.06	7.01	0.75	0.75	0.06	1.35	1.15	7/16-14	5.53	5.53	1.161	2.756	4	55	F07
3"	2.95	0.669	15.75	3.82	4.45	3.10	2.52	6.69	7.87	5.02	6.00	11.22	11.50	7.52	0.75	0.77	0.06	1.25	1.30	7/16-14	5.61	5.75	1.161	4.016	4	71	F10
4"	3.94	0.906	21.26	4.96	5.75	3.31	2.32	8.50	7.68	6.22	7.48	13.70	13.14	9.01	0.75	0.96	0.06	1.45	1.00	1/2-13	6.85	6.57	1.339	4.921	8	119	F12
6"	5.94	1.378	39.37	7.28	7.28	3.27	3.15	11.02	11.02	8.50	9.51	17.56	17.56	10.98	0.87	1.00	0.06	1.38	1.38	1/2-13	8.78	8.78	1.771	4.921	8	242	F12
8"	7.91	1.772	N/A	8.07	8.07	3.50	3.50	N/A	N/A	10.63	11.75	N/A	21.22	13.50	0.87	1.13	0.06	3.07	3.07	5/8-11	10.61	10.61	2.362	6.500	8	397	F16
10"	9.84	1.772	N/A	9.17	9.17	4.25	4.25	N/A	N/A	12.76	14.25	N/A	27.68	15.98	0.98	1.19	0.06	2.17	2.17	5/8-11	13.84	13.84	2.362	6.500	12	617	F16
12"	11.81	2.165	N/A	11.10	11.10	4.29	4.29	N/A	N/A	15.00	17.00	N/A	30.35	19.02	0.98	1.25	0.06	1.97	1.97	5/8-11	15.18	15.18	2.756	6.500	12	772	F16

DIMENSIONS WITH SYMBOLS (^) ARE FOR SAND CAST CARBON STEEL VALVES

*DIMENSIONS - ANSI Class 300 (IN)

SIZE	ØJ	^L	^AL	^AB	^ON	^OQ	^W	^W1	^NN	^LBS.	ISO5211
1-1/2"	4.51	8.66	8.66	4.33	6.14	0.87	0.81	0.06	4	44	F05
2"	5.00	9.37	9.37	4.69	6.50	0.75	0.88	0.06	8	53	F07
2-1/2"	5.87	11.22	11.22	5.61	7.48	0.87	1.00	0.06	8	73	F07
3"	6.61	11.85	12.20	5.93^6.10	8.27	0.87	1.13	0.06	8	93	F10
4"	7.87	15.35	14.41	7.68^7.21	10.00	0.87	1.25	0.06	8	154	F12
6"	10.63	18.43	18.43	9.22	12.52	0.87	1.44	0.06	12	315	F12
8"	12.99	N/A	20.94	10.47	15.00	0.98	1.63	0.06	12	634	F16
10"	15.26	N/A	30.28	15.14	17.48	1.14	1.88	0.06	16	758	F16
12"	17.76	N/A	31.53	15.77	20.51	1.26	2.00	0.06	16	CF	F16

Due to differences between sand cast and investment cast valves, A-T Controls requires that each valve be measured for the correct stem height and width before making a Mounting Adaption.

Standard manual valves should be ordered with an Automation Gland if A-T Controls is not making the mounting kit.

Dimensions B, E, and Y are for reference only.

A-T Controls reserves the right to change product designs and technical/dimensional specifications without notice.



9555 International Blvd. PHONE (513) 247-5465
Cincinnati, Ohio 45246 FAX (513) 247-5462
www.atcontrols.com sales@atcontrols.com