

5950

## LOW PROFILE COMPRESSION LOAD CELL

Load cell combining high capacity, low design and cost effective solution.

Model 5950 - 2 t



### Features

- Stainless steel
- Protection IP 67
- Low design
- Cost effective solution
- Sturdy design
- Easy to install
- Whole range of mounting kits available
- Cable length: 6m
- Available options (non exhaustive list):
  - o ATEX intrinsic safety Ex II 1GD Ex ia IIC T6 or T4 Ga Ex ia IIIC T80 C Da
  - o high service temperature (up to 150 °C)

### Applications

The SENSY's load cell 5950 is perfectly designed to the following applications :

- Silos, tanks or hoppers weighing
- Reactors weighing
- Industrial force measurement where space is limited

### Capacities

5950 : (0.3) - (0.5) - (0.75) - (1) - (1.5) - 2 - 3 - 5 - 7.5 - 10 - (15) - 20 t\*

Specifications	0.25	0.1	
Accuracy class	0.25 % F.S.	0.1% F.S.	-
Combined error	< ± 0.25	< ± 0.1	% F.S.
Linearity error	< ± 0.25	< ± 0.1	% F.S.
Repeatability error	< ± 0.1	< ± 0.03	% F.S.
Creep error over 30 min.	< ± 0.1	< ± 0.06	% F.S.
Zero shift after loading	< ± 0.025	< ± 0.015	% F.S.
Reference temperature	23	23	C
Nominal temperature range	-10...+45	-10...+45	C
Service temperature range	-30...+70	-30...+70	C
Storage temperature range	-50...+85	-50...+85	C
Temperature coefficient of the sensitivity	< ± 0.05	< ± 0.05	% F.S./10 C
Temperature coefficient of zero signal	< ± 0.035	< ± 0.035	% F.S./10 C
Zero balance	± 0.02	± 0.02	mV/V
Sensitivity tolerance	< ± 0.3	< ± 0.3	%
Insulation resistance (50V)	> 5000	> 5000	Megaohm
Reference excitation voltage	10	10	VDC
Nominal range of excitation voltage	3..12	3..12	VDC
Nominal sensitivity	1.5	1.5	mV/V
Safe load limit	150	150	% F.S.
Breaking load	>300	>300	% F.S.
Static lateral force limit	10	10	% F.S.
Permissible dynamic loading	40	40	% F.S.
Input resistance	702 ± 2	702 ± 2	Ohm
Output resistance	702 ± 2	702 ± 2	Ohm

F.S.: full scale - Specifications subject to change without notice

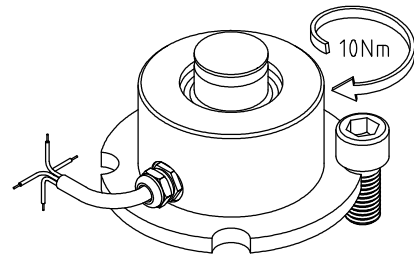
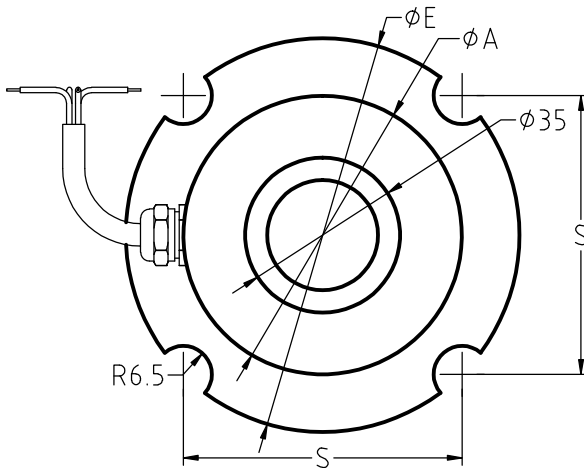
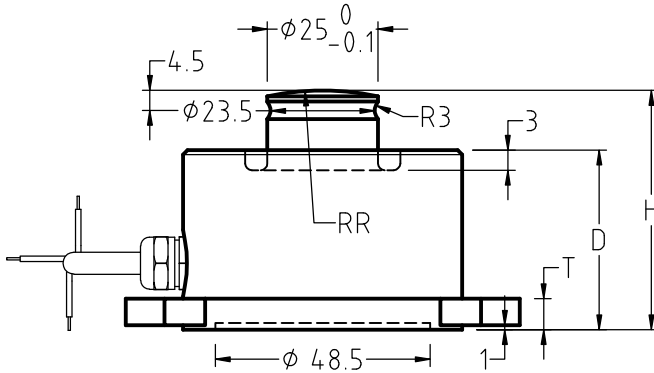
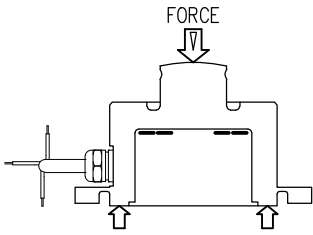
\* : 5950-20t only available with accuracy class 0.5%

# LOAD CELL

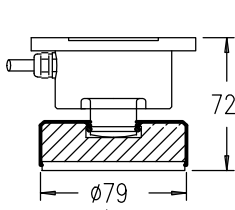
model 5950 stainless steel

## COMPRESSION

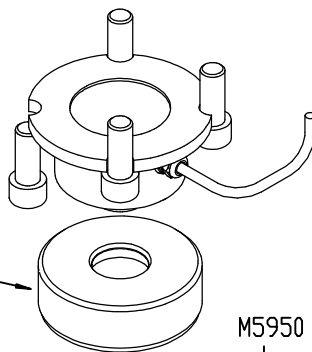
Range 0.3 – 15 t. (20t.) IP 67  
Cable length : 6 m



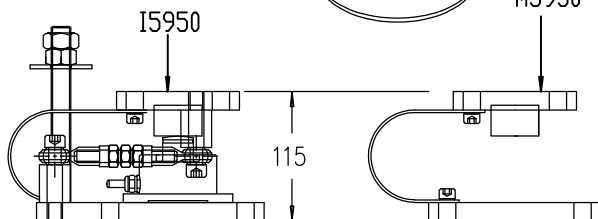
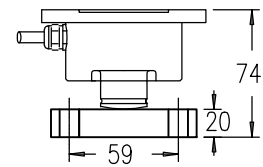
CAPACITIES	$\phi A$	D	H	S	T	$\phi E$	RR	Max.Deflexion	Weight
0.3 – 5 t	63	38.5	54	62.9	7	89	60	0.04–0.07 mm	±1.4 kg
7.5 – 15 t.(20t.)								0.08–0.15 mm	



F5950 300-7.5t.



A5950 300-15t.



## ACCESSORIES

model I5950 stainless steel (including rod ends)  
 model I5955 coated steel

### EASY MOUNT FOR MODEL 5950

Range 0.3 - 15 t

