



These units are Cast Schedule 160 size pipes, with internal reinforced ribs. They have been tested to pressure above 6500psi and can be safely used up to pressures of 6000psi at elevated temperatures. The units are available in SS316. All process connections are 1/2" NPT. Other sizes and materials are available on request.

The design and manufacture of these units meet CSA-51 Boiler Code requirements and Canadian Registration Numbers (CRN) have been applied for. Once available, The appropriate CRN Number will be stamped on the assembly when requested.

Specifications

Material of Construction

Stainless Steel (SS316)

Surface Finish

Electro Polished

Connections

1/2"NPT

Pipe Size

Schedule 160

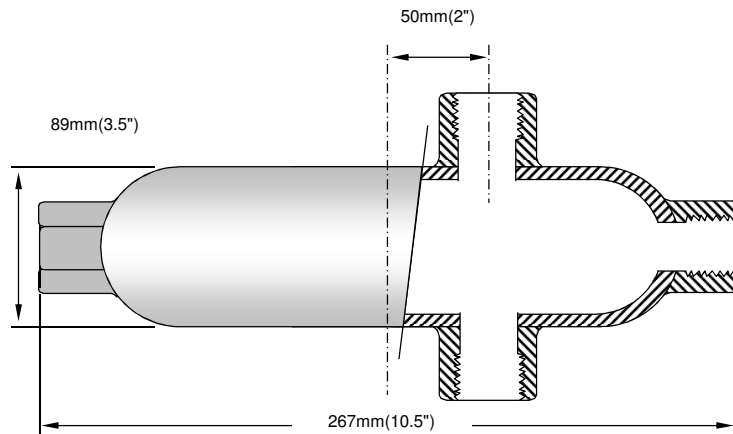
Maximum Pressure

6000psi at elevated temperature.

Optional Accessories

Refer to Stopping Plugs

Dimensions



Model 1038BB