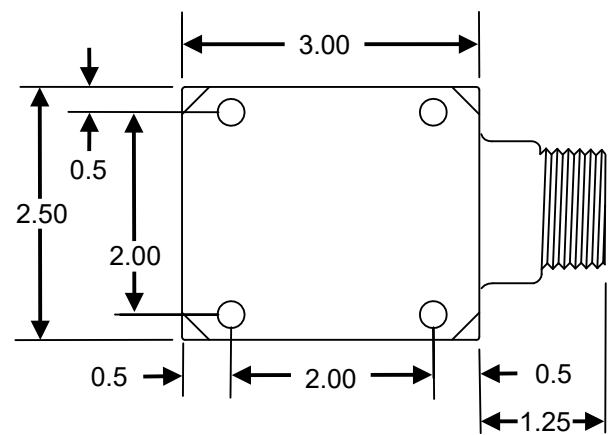


DETAIL - MOUNTING HOLES



Rev	Description	App.	Date
0	Initial release	Chidley	16Jul02
1	Edited text		13Apr11
2	Changed footer note, Added confidential note Modified Title box & Rev. Table.	TDH	04Jun13
3	Added sensor mounting hole locations	DRS	10Oct24

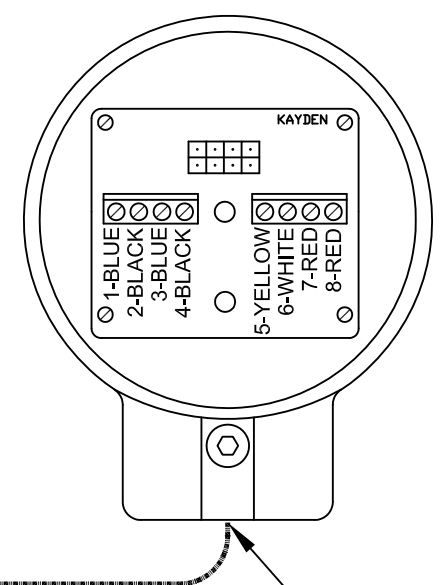
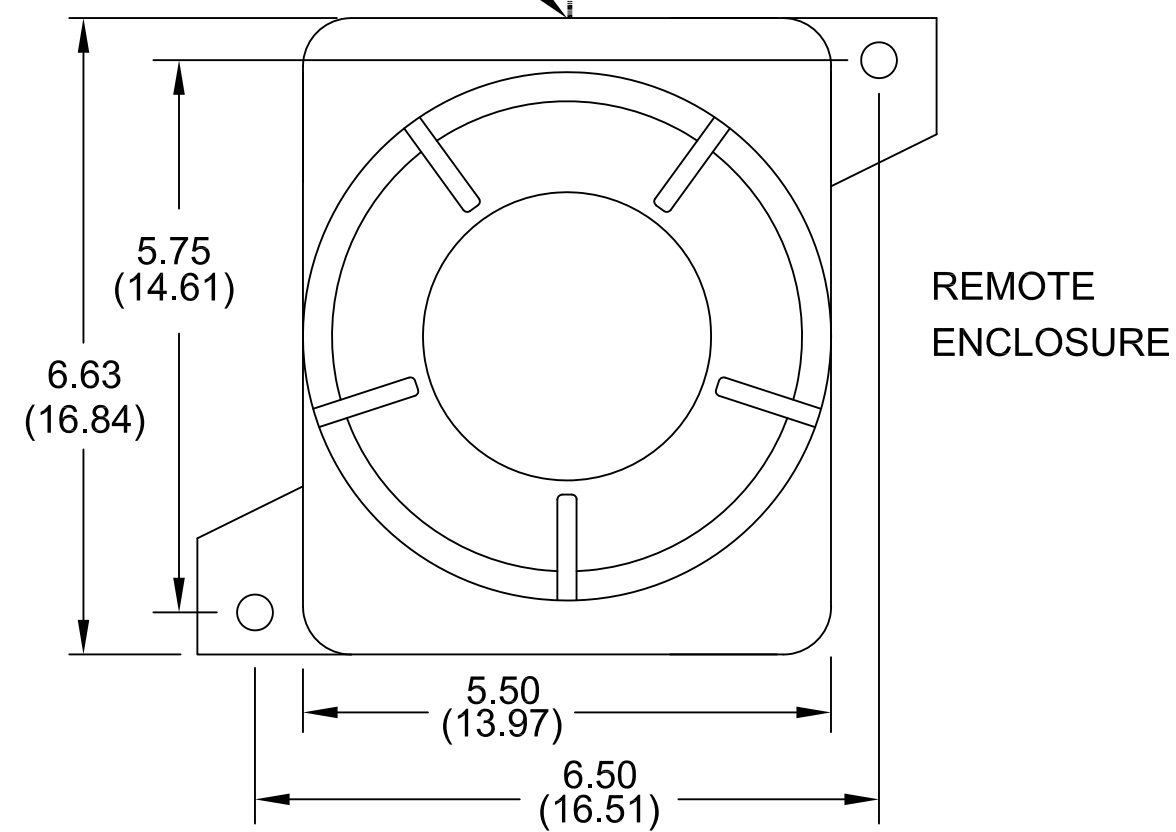
Information contained in this document is confidential and proprietary information of Telematic Controls Inc. This document may not be reproduced or distributed for any reason without express written permission of Telematic Controls Inc. All rights of design, invention and copyright are reserved.

APPROVALS		DATE			
DRN	MW	14MAY13			
CHKD	EC	23MAY13			
APP	TDH	04JUN13	TITLE	CLASSIC 830 Series Threaded InLine Vertical with Bleed Port Remote Electronics	
All dimensions are shown in inches with cm shown in brackets TOLERANCES ARE: DECIMALS ANGLES .X ± 0.1 ±0.5° .XX ± 0.02 .XXX ± 0.007			SIZE A3	DWG NO D15-830-RA3D-0035AV-3	REV 3
SCALE NTS			SHEET 1 OF 4		

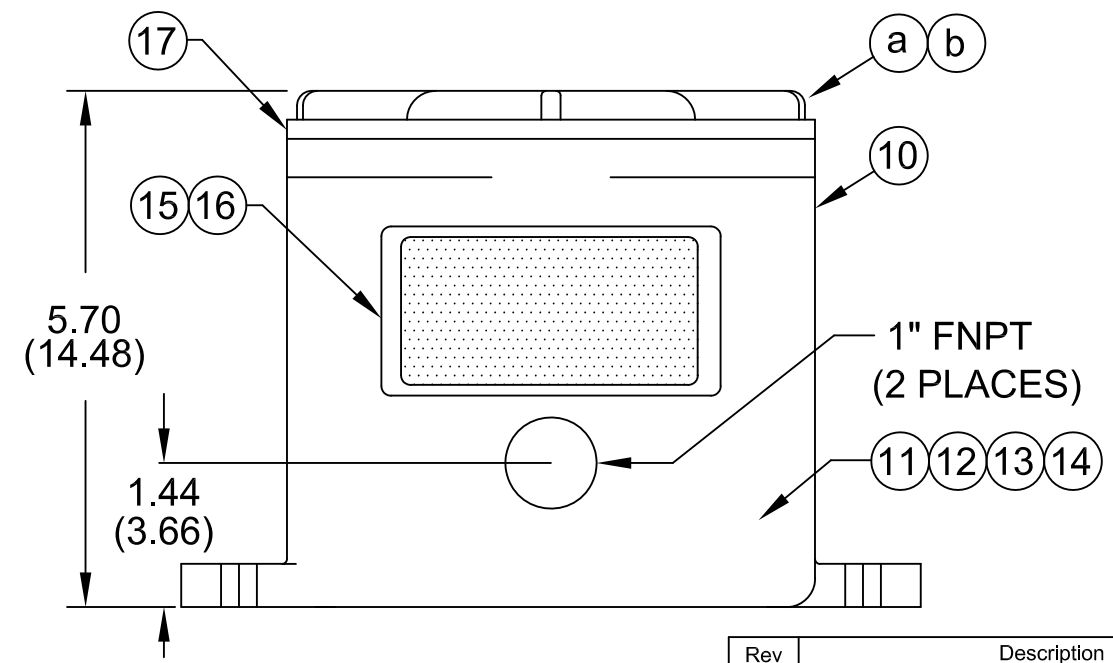
1" FNPT ELECTRONIC CONNECTION

FIELD WIRING

SENSOR ENCLOSURE



1" FNPT ELECTRICAL CONNECTION



Information contained in this document is confidential and proprietary information of Telematic Controls Inc. This document may not be reproduced or distributed for any reason without express written permission of Telematic Controls Inc. All rights of design, invention and copyright are reserved.

APPROVALS		DATE
DRN	MW	13MAY13
CHKD	EC	21MAY13
APP	TDH	03JUN13

KAYDEN[®]
INSTRUMENTS

All dimensions are shown in inches with cm shown in brackets

TOLERANCES ARE:

DECIMALS	ANGLES
.X ± 0.1	±0.5°
.XX ± 0.02	
.XXX ± 0.007	

TITLE: CLASSIC Series Remote Electronics Flameproof Enclosure (CSA)

SIZE A3	DWG NO. 7730-0000-1-CSA	REV 0
SCALE NTS		SHEET 3 OF 4

Rev	Description	App.	Date
0	Initial release	TDH	03Jun13

NOTES:
1. Wire according to connection diagram.

