



Check Valves, Filters and Relief Valves

Catalog 4135-CV

September 2014

aerospace
climate control
electromechanical
filtration
fluid & gas handling
hydraulics
pneumatics
process control
sealing & shielding



ENGINEERING YOUR SUCCESS.



Description.....	Page
C Series Check Valves	2
CB Series Check Valves.....	8
CBF Series Check Valves.....	8
CO Series Check Valves	14
LC Series Lift Check Valves	18
MPC Series Check Valves.....	20
MPCB Series Check Valves	20
F Series Inline Filters.....	22
FT Series Tee Filters.....	30
MPF Series Filters.....	34
RH4 Series Relief Valves.....	36
RL4 Series Relief Valves	40
MPR Series Relief Valves.....	44
BV Series Bleed Valves	46
MPBV Series Bleed Valves.....	48
PG Series Purge Valves	50
Available End Connections.....	53
Offer of Sale	55

C
CB
CBF
CO
LC
MPC
MPCB
F
FT
MPF
RH4
RL4
MPR
BV
MPBV
PG
End Conn

⚠ WARNING – USER RESPONSIBILITY

FAILURE OR IMPROPER SELECTION OR IMPROPER USE OF THE PRODUCTS DESCRIBED HEREIN OR RELATED ITEMS CAN CAUSE DEATH, PERSONAL INJURY AND PROPERTY DAMAGE.

This document and other information from Parker-Hannifin Corporation, its subsidiaries and authorized distributors provide product or system options for further investigation by users having technical expertise.

The user, through its own analysis and testing, is solely responsible for making the final selection of the system and components and assuring that all performance, endurance, maintenance, safety and warning requirements of the application are met. The user must analyze all aspects of the application, follow applicable industry standards, and follow the information concerning the product in the current product catalog and in any other materials provided from Parker or its subsidiaries or authorized distributors.

To the extent that Parker or its subsidiaries or authorized distributors provide component or system options based upon data or specifications provided by the user, the user is responsible for determining that such data and specifications are suitable and sufficient for all applications and reasonably foreseeable uses of the components or systems.

Offer of Sale

The items described in this document are hereby offered for sale by Parker-Hannifin Corporation, its subsidiaries or its authorized distributors. This offer and its acceptance are governed by the provisions stated in the detailed "Offer of Sale" elsewhere in this document or available at www.parker.com/ipdus.

© Copyright 2014 Parker Hannifin Corporation. All Rights Reserved.



Introduction

Parker C Series Check Valves are designed for uni-directional flow control of fluids and gases in industries such as chemical processing, oil and gas production and transmission, pharmaceutical, pulp and paper, power and utilities.

Features

- ▶ Resilient, custom molded, blow-out resistant seat design
- ▶ Back stopped poppet minimizes spring stress
- ▶ 100% factory tested for both crack and reseal
- ▶ Cracking pressures include: 1/3, 1, 5, 10, 25, 50, 75, and 100 psi.
- ▶ Port connections include male and female NPT, CPI™, A-LOK®, UltraSeal, VacuSeal, BSP, SAE and Seal-Lok®
- ▶ Heat code traceability

Specifications

Pressure Rating:**

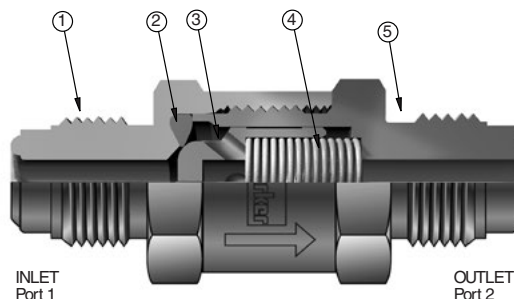
316 SS – 1/8" to 3/4":6000 psig (414 bar) CWP
 1":5000 psig (345 bar) CWP
 PTFE Seats, all sizes:4000 psig (276 bar) CWP
 Brass – 1/8" to 1":3000 psig (207 bar) CWP

Temperature Rating:

Fluorocarbon Rubber..... -15°F to +400°F (-26°C to +204°C)
 Nitrile -30°F to +275°F (-34°C to +135°C)
 Ethylene Propylene Rubber.. -70°F to +275°F (-57°C to +135°C)
 Neoprene Rubber -45°F to +250°F (-43°C to +121°C)
 PTFE -65°F to +400°F (-54°C to +204°C)
 Highly Fluorinated Fluorocarbon Rubber
 -15°F to +200°F (-26°C to +93°C)

Orifice:078" to .656" (2.0 mm to 16.7 mm)

C_v:18 to 6.56



Model Shown: 4V-C4L-5-SS

Materials of Construction

Item #	Part Description	Stainless Steel	Brass
1	Cap	ASTM A 276, Type 316	ASTM B 16, Alloy C36000
2	Seat*	Fluorocarbon Rubber*	
3	Poppet	ASTM A 479, Type 316	ASTM B 16, Alloy C36000
4	Spring	316 Stainless Steel	
5	Body	ASTM A 276, Type 316	ASTM B 16, Alloy C36000

* Optional seat materials are available. See [How to Order section](#).
 Lubrication: Perfluorinated Polyether.

Note: PTFE seated valves employ an additional PTFE coated 316 SS gasket between the seat and the body and are distinguishable from elastomeric seated valves by the gap designed between the body and cap.

**See Pressure Rating note on [page 4](#).

Flow Calculations with 1000 psig (69 bar) Inlet Pressure

Valve Series	Maximum C _v	Pressure Drop ΔP		Water @ 60°F (16°C)		Air @ 60°F (16°C)	
		psig	bar	gpm	m3/hr	SCFM	m3/hr
C2	0.31	10	0.7	1.0	0.2	30.8	52.1
		50	3.4	2.2	0.5	67.2	112.8
		100	6.9	3.1	0.7	92.0	155.3
C4	0.75	10	0.7	2.4	0.5	74.6	126.1
		50	3.4	5.3	1.2	162.7	273.0
		100	6.9	7.5	1.7	222.8	376.2
C6	2.26	10	0.7	7.1	1.6	225.3	380.9
		50	3.4	16.0	3.6	495.2	831.0
		100	6.9	22.6	5.1	685.1	1157.2
C8	3.53	10	0.7	11.2	2.5	352.0	595.0
		50	3.4	25.0	5.6	774.3	1299.4
		100	6.9	35.3	8.0	1072.4	1811.6
C12	6.01	10	0.7	19.0	4.3	596.6	1008.3
		50	3.4	42.5	9.6	1287.5	2160.4
		100	6.9	60.1	13.7	1738.5	2934.5
C16	6.56	10	0.7	20.7	4.7	648.9	1096.6
		50	3.4	46.4	10.5	1379.4	2314.7
		100	6.9	65.6	14.9	1824.4	3077.6

Crack and Re-Seal Performance

Check Valve Rated Crack Pressure		Minimum Acceptable Crack Pressure		Maximum Acceptable Crack Pressure		Maximum Re-seal Back Pressure	
psig	bar	psig	bar	psig	bar	psig	bar
1/3	0.02	0	0.00	1	0.07	4	0.28
1	0.07	0	0.00	3	0.21	4	0.28
5	0.34	3	0.21	8	0.55	3 BCP	0.21 BCP
10	0.69	7	0.48	13	0.90	3 BCP	0.21 BCP
25	1.72	20	1.38	30	2.07	4 BCP	0.28 BCP
50	3.45	40	2.76	60	4.14	5 BCP	0.34 BCP
75	5.17	60	4.14	90	6.21	7 BCP	0.48 BCP
100	6.89	80	5.52	120	8.27	10 BCP	0.69 BCP

BCP means "Below Cracking Pressure."

Cracking pressure is defined as the upstream pressure at which a detectable flow is measured.

Re-seal pressure is defined as the downstream pressure at which the check valve closes bubble-tight.

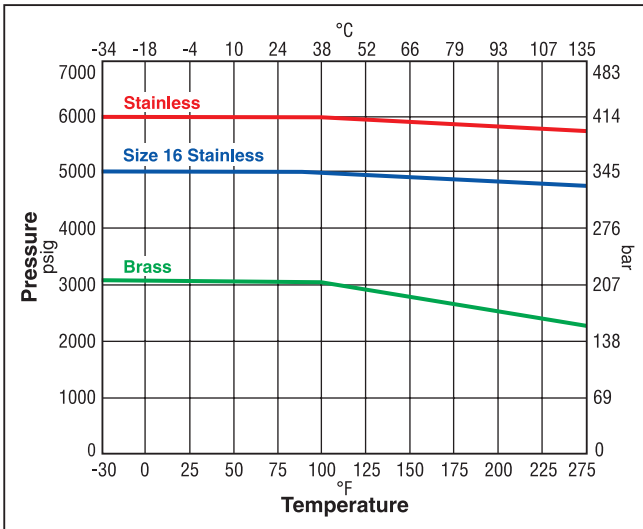
Example: For a valve with a spring having a rated cracking pressure of 25 psig (1.72 bar), the actual cracking pressure ranges between 20 and 30 psig (1.38 and 2.07 bar). The re-seal pressure range would be 16 to 20 psig (1.10 to 1.38 bar). Check valves having springs with rated crack pressures of 3 psig (0.21 bar) or less may require up to 4 psig (0.28 bar) back pressure to re-seal bubble-tight.

Note: Check valves which are not actuated for a period of time may initially crack at higher than the above crack pressure ranges.

PTFE seated valves require a minimum back pressure of 100 psig (6.9 bar) to insure a leak-tight re-seal.

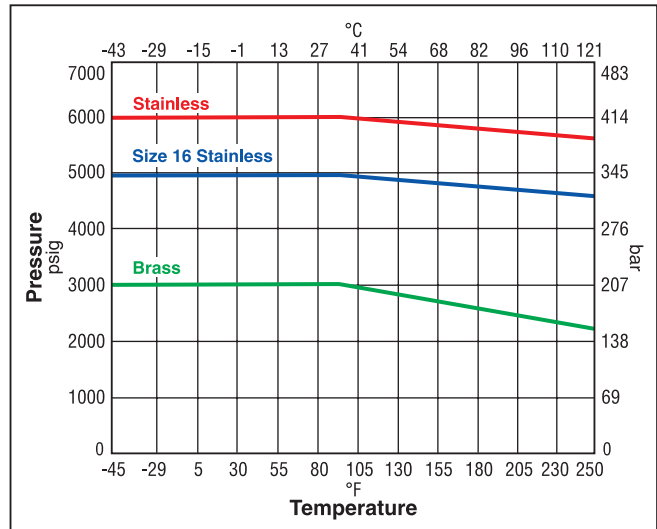
Pressure vs. Temperature

Nitrile Seat

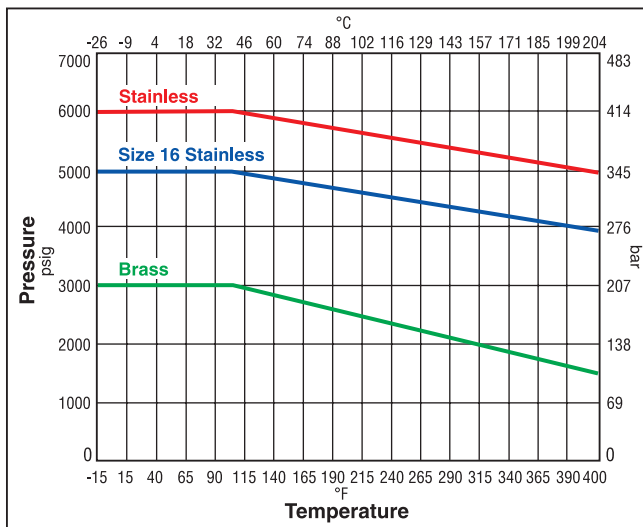


Note: To determine MPa, multiply bar by 0.1

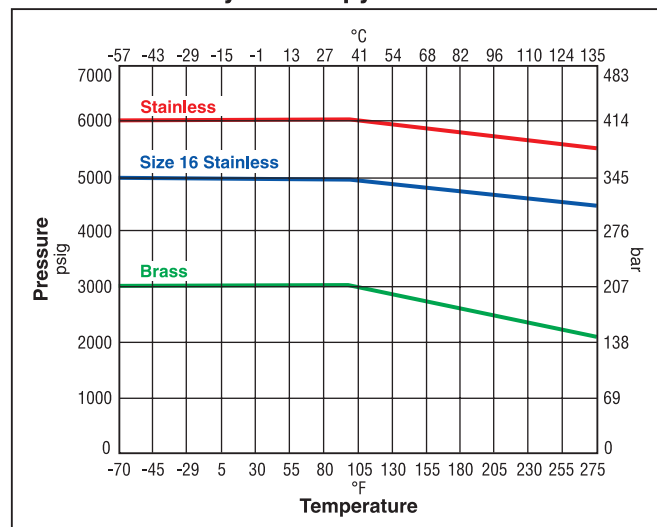
Neoprene Seat



Fluorocarbon Seat

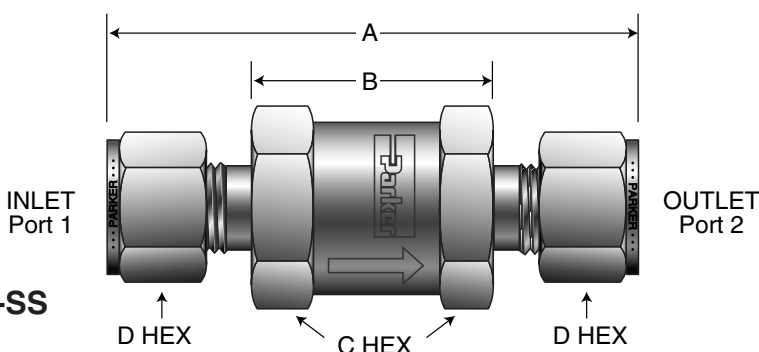


Ethylene Propylene Seat



Flow Data/Dimensions

C


Model Shown: 4Z-C4L-1-SS

Dimensions in inches (millimeters) are for reference only, subject to change.

Basic Part Number	End Connections		Flow Data				Dimensions							
	Inlet Port 1	Outlet Port 2	Orifice		C_V	X_T^*	A†		B		C		D	
			Inch	mm			Inch	mm	Inch	mm	Inch	mm	Inch	mm
2A-C2L	1/8" A-LOK® Compression	1/8" A-LOK® Compression	.093	2.4	.22	0.46	2.29	58.2	1.09	27.7	.625	15.9	.438	11.1
2F-C2L	1/8" Female NPT	1/8" Female NPT	.125	3.2	.31	0.52	1.86	47.2	-	-	.625	15.9	-	-
2F5-C2L	1/8" Male SAE	1/8" Male SAE	.063	1.6	.16	0.42	1.83	46.5	1.08	27.4	.625	15.9	-	-
2G5-C2L	1/8" Female SAE	1/8" Female SAE	.063	1.6	.16	0.42	1.86	47.2	-	-	.625	15.9	-	-
2KF-C2L	1/8" Female BSP/ISO Tapered	1/8" Female BSP/ISO Tapered	.125	3.2	.31	0.52	1.86	47.2	-	-	.625	15.9	-	-
2KM-C2L	1/8" Male BSP/ISO Tapered	1/8" Male BSP/ISO Tapered	.125	3.2	.31	0.52	1.77	45.0	1.00	25.4	.625	15.9	-	-
2M-C2L	1/8" Male NPT	1/8" Male NPT	.125	3.2	.31	0.52	1.77	45.0	1.01	25.7	.625	15.9	-	-
2TA-C2L	1/8" Tube Adapter	1/8" Tube Adapter	.078	2.0	.18	0.43	2.07	52.6	.88	22.4	.625	15.9	-	-
2Z-C2L	1/8" CPI™ Compression	1/8" CPI™ Compression	.093	2.4	.22	0.46	2.29	58.2	1.09	27.7	.625	15.9	.438	11.1
M3A-C2L	3mm A-LOK® Compression	3mm A-LOK® Compression	.086	2.2	.20	0.45	2.30	58.4	1.05	26.7	.625	15.9	.472	12.0
M3Z-C2L	3mm CPI™ Compression	3mm CPI™ Compression	.086	2.2	.20	0.45	2.30	58.4	1.05	26.7	.625	15.9	.472	12.0
2M2A-C2L	1/8" Male NPT	1/8" A-LOK® Compression	.093	2.4	.22	0.46	2.03	51.6	1.05	26.7	.625	15.9	.438	11.1
2M2F-C2L	1/8" Male NPT	1/8" Female NPT	.125	3.2	.31	0.52	1.81	46.0	1.43	36.3	.625	15.9	-	-
2M2Z-C2L	1/8" Male NPT	1/8" CPI™ Compression	.093	2.4	.22	0.46	2.03	51.6	1.05	26.7	.625	15.9	.438	11.1
2F-C4L	1/8" Female NPT	1/8" Female NPT	.187	4.7	.75	0.53	2.01	51.1	-	-	.750	19.1	-	-
2M-C4L	1/8" Male NPT	1/8" Male NPT	.187	4.7	.75	0.53	1.82	46.2	1.06	26.9	.750	19.1	-	-
4A-C4L	1/4" A-LOK® Compression	1/4" A-LOK® Compression	.187	4.7	.75	0.53	2.42	61.5	1.03	26.2	.750	19.1	.563	14.3
4F-C4L	1/4" Female NPT	1/4" Female NPT	.187	4.7	.75	0.53	2.40	61.0	-	-	.750	19.1	-	-
4F5-C4L	1/4" Male SAE	1/4" Male SAE	.172	4.4	.66	0.52	2.02	51.3	1.15	29.2	.750	19.1	-	-
4G5-C4L	1/4" Female SAE	1/4" Female SAE	.172	4.4	.66	0.52	2.20	55.9	-	-	.750	19.1	-	-
4KF-C4L	1/4" Female BSP/ISO Tapered	1/4" Female BSP/ISO Tapered	.187	4.7	.75	0.53	2.40	61.0	-	-	.750	19.1	-	-
4KM-C4L	1/4" Male BSP/ISO Tapered	1/4" Male BSP/ISO Tapered	.281	4.7	.75	0.53	2.18	55.4	1.06	26.9	.750	19.1	-	-
4L-C4L	1/4" Seal-Lok®	1/4" Seal-Lok®	.172	4.4	.66	0.52	1.82	46.2	1.03	26.2	.750	19.1	-	-
4M-C4L	1/4" Male NPT	1/4" Male NPT	.187	4.7	.75	0.53	2.18	55.4	1.04	26.4	.750	19.1	-	-
4Q-C4L	1/4" UltraSeal	1/4" UltraSeal	.180	4.6	.72	0.53	1.97	50.0	1.04	26.4	.750	19.1	-	-
4V-C4L	1/4" VacuSeal	1/4" VacuSeal	.187	4.7	.75	0.53	2.22	56.4	.98	24.9	.750	19.1	-	-
4TA-C4L	1/4" Tube Adapter	1/4" Tube Adapter	.156	4.0	.58	0.52	2.35	59.7	1.07	27.2	.750	19.1	-	-
4Z-C4L	1/4" CPI™ Compression	1/4" CPI™ Compression	.187	4.7	.75	0.53	2.42	61.5	1.03	26.2	.750	19.1	.563	14.3
6A-C4L	3/8" A-LOK® Compression	3/8" A-LOK® Compression	.187	4.7	.75	0.53	2.55	64.8	1.03	26.2	.750	19.1	.688	17.5
6Z-C4L	3/8" CPI™ Compression	3/8" CPI™ Compression	.187	4.7	.75	0.53	2.55	64.8	1.03	26.2	.750	19.1	.688	17.5
M6A-C4L	6mm A-LOK® Compression	6mm A-LOK® Compression	.187	4.7	.75	0.53	2.43	61.7	1.03	26.2	.750	19.1	.551	14.0
M6Z-C4L	6mm CPI™ Compression	6mm CPI™ Compression	.187	4.7	.75	0.53	2.43	61.7	1.03	26.2	.750	19.1	.551	14.0
4M4A-C4L	1/4" Male NPT	1/4" A-LOK® Compression	.187	4.7	.75	0.53	2.29	58.2	1.02	25.9	.750	19.1	.563	14.3
4M4F-C4L	1/4" Male NPT	1/4" Female NPT	.187	4.7	.75	0.53	2.29	58.2	1.72	43.7	.750	19.1	-	-
4M4Z-C4L	1/4" Male NPT	1/4" CPI™ Compression	.187	4.7	.75	0.53	2.29	58.2	1.02	25.9	.750	19.1	.563	14.3
4M6A-C4L	1/4" Male NPT	3/8" A-LOK® Compression	.187	4.7	.75	0.53	2.35	59.7	1.02	25.9	.750	19.1	.688	17.5
4M6Z-C4L	1/4" Male NPT	3/8" CPI™ Compression	.187	4.7	.75	0.53	2.35	59.7	1.02	25.9	.750	19.1	.688	17.5
6A-C6L	3/8" A-LOK® Compression	3/8" A-LOK® Compression	.281	7.1	2.09	0.74	3.27	83.1	1.75	44.5	1.000	25.4	.688	17.5
6F-C6L	3/8" Female NPT	3/8" Female NPT	.359	9.1	2.26	0.77	3.03	77.0	-	-	1.000	25.4	-	-
6F5-C6L	3/8" Male SAE	3/8" Male SAE	.264	6.7	2.05	0.74	2.71	68.8	1.76	44.7	1.000	25.4	-	-
6G5-C6L	3/8" Female SAE	3/8" Female SAE	.264	6.7	2.05	0.74	2.96	75.2	-	-	1.000	25.4	-	-
6KF-C6L	3/8" Female BSP/ISO Tapered	3/8" Female BSP/ISO Tapered	.359	9.1	2.26	0.77	3.03	77.0	-	-	1.000	25.4	-	-
6KM-C6L	3/8" Male BSP/ISO Tapered	3/8" Male BSP/ISO Tapered	.359	9.1	2.26	0.77	2.96	75.2	1.84	46.7	1.000	25.4	-	-
6L-C6L	3/8" Seal-Lok®	3/8" Seal-Lok®	.264	6.7	2.05	0.74	2.65	67.3	1.77	45.0	1.000	25.4	-	-
6M-C6L	3/8" Male NPT	3/8" Male NPT	.359	9.1	2.26	0.77	2.96	75.2	1.82	46.2	1.000	25.4	-	-
6Q-C6L	3/8" UltraSeal	3/8" UltraSeal	.250	6.4	2.02	0.73	2.75	69.9	1.80	45.7	1.000	25.4	-	-
6TA-C6L	3/8" Tube Adapter	3/8" Tube Adapter	.281	7.1	2.09	0.74	3.24	82.3	1.80	45.7	1.000	25.4	-	-
6Z-C6L	3/8" CPI™ Compression	3/8" CPI™ Compression	.281	7.1	2.09	0.74	3.27	83.1	1.75	44.5	1.000	25.4	.688	17.5

Pressure Rating and Tubing Selection: For working pressures of A-LOK® and CPI™ tube connections, please see the Instrument Tubing Selection Guide (Bulletin 4200-TS), found in the Technical Section of the Parker Instrumentation Process Control Binder, or the Parker Instrument Tube Fitting Installation Manual (Bulletin 4200-B4).

For working pressures of valves with external or internal pipe threads, please see Catalog 4260, Instrumentation Pipe Fittings.

* Tested in accordance with ISA S75.02. Gas flow will be choked when $P_1 - P_2 / P_1 = x_T$.

† For CPI™ and A-LOK®, dimensions are measured with nuts in the finger tight position.

Flow Data/Dimensions (Continued)

Dimensions in inches (millimeters) are for reference only, subject to change.

Basic Part Number	End Connections		Flow Data				Dimensions							
	Inlet Port 1	Outlet Port 2	Orifice		C_V	X_T^*	A†		B		C		D	
			Inch	mm			Inch	mm	Inch	mm	Inch	mm	Inch	mm
8A-C6L	1/2" A-LOK® Compression	1/2" A-LOK® Compression	.359	9.1	2.26	0.77	3.55	90.2	1.81	46.0	1.000	25.4	.875	22.2
8Z-C6L	1/2" CPI™ Compression	1/2" CPI™ Compression	.359	9.1	2.26	0.77	3.55	90.2	1.81	46.0	1.000	25.4	.875	22.2
M8A-C6L	8mm A-LOK® Compression	8mm A-LOK® Compression	.250	6.4	2.02	0.73	3.33	84.6	1.87	47.5	1.000	25.4	.630	16.0
M8Z-C6L	8mm CPI™ Compression	8mm CPI™ Compression	.250	6.4	2.02	0.73	3.33	84.6	1.87	47.5	1.000	25.4	.630	16.0
M10A-C6L	10mm A-LOK® Compression	10mm A-LOK® Compression	.312	7.9	2.16	0.75	3.35	85.1	1.81	46.0	1.000	25.4	.748	19.0
M10Z-C6L	10mm CPI™ Compression	10mm CPI™ Compression	.312	7.9	2.16	0.75	3.35	85.1	1.81	46.0	1.000	25.4	.748	19.0
6M6A-C6L	3/8" Male NPT	3/8" A-LOK® Compression	.281	7.1	2.09	0.74	3.09	78.5	1.76	44.7	1.000	25.4	.688	17.5
6M6F-C6L	3/8" Male NPT	3/8" Female NPT	.359	9.1	2.26	0.77	2.95	74.9	2.38	60.5	1.000	25.4	-	-
6M6Z-C6L	3/8" Male NPT	3/8" CPI™ Compression	.281	7.1	2.09	0.74	3.09	78.5	1.76	44.7	1.000	25.4	.688	17.5
6M8A-C6L	3/8" Male NPT	1/2" A-LOK® Compression	.359	9.1	2.26	0.77	3.26	82.8	1.82	46.2	1.000	25.4	.875	22.2
6M8Z-C6L	3/8" Male NPT	1/2" CPI™ Compression	.359	9.1	2.26	0.77	3.26	82.8	1.82	46.2	1.000	25.4	.875	22.2
8A-C8L	1/2" A-LOK® Compression	1/2" A-LOK® Compression	.423	10.7	3.30	0.77	4.08	103.6	2.34	59.4	1.250	31.8	.875	22.2
8F-C8L	1/2" Female NPT	1/2" Female NPT	.453	11.5	3.53	0.81	3.56	90.4	-	-	1.250	31.8	-	-
8F5-C8L	1/2" Male SAE	1/2" Male SAE	.378	9.6	2.96	0.71	3.45	87.6	2.34	59.4	1.250	31.8	-	-
8G5-C8L	1/2" Female SAE	1/2" Female SAE	.453	11.5	3.53	0.81	3.56	90.4	-	-	1.250	31.8	-	-
8KF-C8L	1/2" Female BSP/ISO Tapered	1/2" Female BSP/ISO Tapered	.453	11.5	3.53	0.81	3.56	90.4	-	-	1.250	31.8	-	-
8KM-C8L	1/2" Male BSP/ISO Tapered	1/2" Male BSP/ISO Tapered	.453	11.5	3.53	0.81	3.56	90.4	2.06	52.3	1.250	31.8	-	-
8L-C8L	1/2" Seal-Lok®	1/2" Seal-Lok®	.378	9.6	2.96	0.71	3.22	81.8	2.21	56.1	1.250	31.8	-	-
8M-C8L	1/2" Male NPT	1/2" Male NPT	.453	11.5	3.53	0.81	3.56	90.4	2.05	52.1	1.250	31.8	-	-
8Q-C8L	1/2" UltraSeal	1/2" UltraSeal	.375	9.5	2.93	0.71	3.28	83.3	2.33	59.2	1.250	31.8	-	-
8TA-C8L	1/2" Tube Adapter	1/2" Tube Adapter	.375	9.5	2.93	0.71	4.04	102.6	1.78	45.2	1.250	31.8	-	-
8V-C8L	1/2" VacuSeal	1/2" VacuSeal	.406	10.3	3.17	0.75	3.56	90.4	2.05	52.1	1.250	31.8	-	-
8Z-C8L	1/2" CPI™ Compression	1/2" CPI™ Compression	.423	10.7	3.30	0.77	4.08	103.6	2.34	59.4	1.250	31.8	.875	22.2
M12A-C8L	12mm A-LOK® Compression	12mm A-LOK® Compression	.375	9.5	2.93	0.71	4.06	103.1	2.34	59.4	1.250	31.8	.866	22.0
M12Z-C8L	12mm CPI™ Compression	12mm CPI™ Compression	.375	9.5	2.93	0.71	4.06	103.1	2.34	59.4	1.250	31.8	.866	22.0
8M8A-C8L	1/2" Male NPT	1/2" A-LOK® Compression	.423	10.7	3.30	0.77	3.82	97.0	2.19	55.6	1.250	31.8	.875	22.2
8M8F-C8L	1/2" Male NPT	1/2" Female NPT	.453	11.5	3.53	0.81	3.56	90.4	2.80	71.1	1.250	31.8	-	-
8M8Z-C8L	1/2" Male NPT	1/2" CPI™ Compression	.423	10.7	3.30	0.77	3.82	97.0	2.19	55.6	1.250	31.8	.875	22.2
12A-C12L	3/4" A-LOK® Compression	3/4" A-LOK® Compression	.594	15.1	6.01	0.38	4.34	110.2	2.60	66.0	1.375	34.9	1.125	28.6
12F-C12L	3/4" Female NPT	3/4" Female NPT	.594	15.1	6.01	0.38	4.09	103.9	-	-	1.375	34.9	-	-
12F5-C12L	3/4" Male SAE	3/4" Male SAE	.594	15.1	6.01	0.38	4.05	102.9	2.59	65.8	1.375	34.9	-	-
12G5-C12L	3/4" Female SAE	3/4" Female SAE	.594	15.1	6.01	0.38	4.09	103.9	-	-	1.375	34.9	-	-
12KF-C12L	3/4" Female BSP/ISO Tapered	3/4" Female BSP/ISO Tapered	.594	15.1	6.01	0.38	4.09	103.9	-	-	1.375	34.9	-	-
12KM-C12L	3/4" Male BSP/ISO Tapered	3/4" Male BSP/ISO Tapered	.594	15.1	6.01	0.38	4.09	103.9	2.59	65.8	1.375	34.9	-	-
12L-C12L	3/4" Seal-Lok®	3/4" Seal-Lok®	.594	15.1	6.01	0.38	3.78	96.0	2.44	62.0	1.375	34.9	-	-
12M-C12L	3/4" Male NPT	3/4" Male NPT	.594	15.1	6.01	0.38	4.09	103.9	2.58	65.5	1.375	34.9	-	-
12Q-C12L	3/4" UltraSeal	3/4" UltraSeal	.500	12.7	5.63	0.37	3.78	96.0	2.64	67.1	1.375	34.9	-	-
12TA-C12L	3/4" Tube Adapter	3/4" Tube Adapter	.594	15.1	6.01	0.38	4.24	107.7	2.18	55.4	1.375	34.9	-	-
12V-C12L	3/4" VacuSeal	3/4" VacuSeal	.594	15.1	6.01	0.38	4.64	117.9	2.64	67.1	1.375	34.9	-	-
12Z-C12L	3/4" CPI™ Compression	3/4" CPI™ Compression	.594	15.1	6.01	0.38	4.34	110.2	2.60	66.0	1.375	34.9	1.125	28.6
M20A-C12L	20mm A-LOK® Compression	20mm A-LOK® Compression	.594	15.1	6.01	0.38	4.32	109.7	2.56	65.0	1.375	34.9	1.260	32.0
M20Z-C12L	20mm CPI™ Compression	20mm CPI™ Compression	.594	15.1	6.01	0.38	4.32	109.7	2.56	65.0	1.375	34.9	1.260	32.0
M22A-C12L	22mm A-LOK® Compression	22mm A-LOK® Compression	.594	15.1	6.01	0.38	4.30	109.2	2.56	65.0	1.375	34.9	1.260	32.0
M22Z-C12L	22mm CPI™ Compression	22mm CPI™ Compression	.594	15.1	6.01	0.38	4.30	109.2	2.56	65.0	1.375	34.9	1.260	32.0
12M12A-C12L	3/4" Male NPT	3/4" A-LOK® Compression	.594	15.1	6.01	0.38	4.22	107.2	2.59	65.8	1.375	34.9	1.125	28.6
12M12F-C12L	3/4" Male NPT	3/4" Female NPT	.594	15.1	6.01	0.38	4.09	103.9	3.34	84.8	1.375	34.9	-	-
12M12Z-C12L	3/4" Male NPT	3/4" CPI™ Compression	.594	15.1	6.01	0.38	4.22	107.2	2.59	65.8	1.375	34.9	1.125	28.6
16A-C16L	1" A-LOK® Compression	1" A-LOK® Compression	.656	16.7	6.56	0.27	4.63	117.6	2.53	64.3	1.625	41.3	1.500	38.1
16F-C16L	1" Female NPT	1" Female NPT	.656	16.7	6.56	0.27	4.84	122.9	-	-	1.625	41.3	-	-
16F5-C16L	1" Male SAE	1" Male SAE	.656	16.7	6.56	0.27	4.10	104.1	2.64	67.1	1.625	41.3	-	-
16G5-C16L	1" Female SAE	1" Female SAE	.656	16.7	6.56	0.27	4.84	122.9	-	-	1.625	41.3	-	-
16KF-C16L	1" Female BSP/ISO Tapered	1" Female BSP/ISO Tapered	.656	16.7	6.56	0.27	4.84	122.9	-	-	1.625	41.3	-	-
16KM-C16L	1" Male BSP/ISO Tapered	1" Male BSP/ISO Tapered	.656	16.7	6.56	0.27	4.52	114.8	2.64	67.1	1.625	41.3	-	-
16M-C16L	1" Male NPT	1" Male NPT	.656	16.7	6.56	0.27	4.52	114.8	2.63	66.8	1.625	41.3	-	-
16L-C16L	1" Seal-Lok®	1" Seal-Lok®	.656	16.7	6.56	0.27	3.83	97.3	2.45	62.2	1.625	41.3	-	-
16TA-C16L	1" Tube Adapter	1" Tube Adapter	.656	16.7	6.56	0.27	5.11	129.8	2.52	64.0	1.625	41.3	-	-
16Z-C16L	1" CPI™ Compression	1" CPI™ Compression	.656	16.7	6.56	0.27	4.63	117.6	2.53	64.3	1.625	41.3	1.500	38.1
M25A-C16L	25mm A-LOK® Compression	25mm A-LOK® Compression	.656	16.7	6.56	0.27	4.74	120.4	2.64	67.1	1.625	41.3	1.496	38.0
M25Z-C16L	25mm CPI™ Compression	25mm CPI™ Compression	.656	16.7	6.56	0.27	4.74	120.4	2.64	67.1	1.625	41.3	1.496	38.0
16M16A-C16L	1" Male NPT	1" A-LOK® Compression	.656	16.7	6.56	0.27	4.58	116.3	2.59	65.8	1.625	41.3	1.500	38.1
16M16F-C16L	1" Male NPT	1" Female NPT	.656	16.7	6.56	0.27	4.68	118.9	3.73	94.7	1.625	41.3	-	-
16M16Z-C16L	1" Male NPT	1" CPI™ Compression	.656	16.7	6.56	0.27	4.58	116.3	2.59	65.8	1.625	41.3	1.500	38.1

Pressure Rating and Tubing Selection: For working pressures of A-LOK® and CPI™ tube connections, please see the Instrument Tubing Selection Guide (Bulletin 4200-TS), found in the Technical Section of the Parker Instrumentation Process Control Binder, or the Parker Instrument Tube Fitting Installation Manual (Bulletin 4200-B4).

For working pressures of valves with external or internal pipe threads, please see Catalog 4260, Instrumentation Pipe Fittings.

* Tested in accordance with ISA S75.02. Gas flow will be choked when $P_1 - P_2 / P_1 = X_T$.

† For CPI™ and A-LOK®, dimensions are measured with nuts in the finger tight position.



How to Order

Dimensions in inches (millimeters) are for reference only, subject to change.

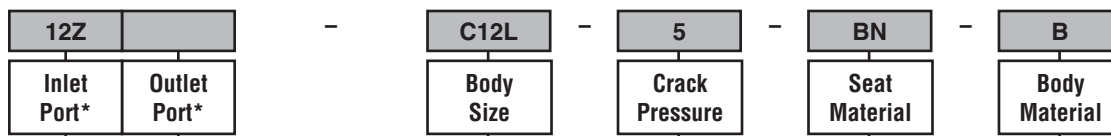
The correct part number is easily derived from the following example and ordering chart. The six product characteristics required are coded as shown in the chart.

Example 1 below describes a C Series Check Valve with 3/4" CPI™ compression inlet and outlet ports, a 5 psi cracking pressure, nitrile seal and brass body construction.

Example 2 below describes a C Series Check Valve with a 1" male NPT inlet port and a 1" A-LOK® outlet port, a 10 psi cracking pressure, neoprene seal and stainless steel body construction.

Example 1: 12Z-C12L-5-BN-B (shown in the part number blocks below)

Example 2: 16M16A-C16L-10-NE-SS



Inlet Port*				Outlet Port*				Body Size	Crack Pressure	Seat Material	Body Material
2A	2G5	2M	M3A	2A	2G5	2M	M3A	C2L	1/3 psi	Blank Fluorocarbon Rubber	B Brass SS 316 Stainless Steel
2F	2KF	2TA	M3Z	2F	2KF	2TA	M3Z		1 psi		
2F5	2KM	2Z		2F5	2KM	2Z			5 psi		
4A	4KF	4Q	M6A	4A	4KF	4Q	M6A	C4L	10 psi	BN Nitrile EPR Ethylene Propylene Rubber	
4F	4KM	4TA	M6Z	4F	4KM	4TA	M6Z		25 psi		
4F5	4L	4V		4F5	4L	4V			50 psi		
4G5	4M	4Z		4G5	4M	4Z			75 psi		
6A	6KF	6Q	M8Z	6A	6KF	6Q	M8Z	C6L	100 psi	NE Neoprene Rubber **T PTFE ***KZ Highly Fluorinated Fluorocarbon Rubber	
6F	6KM	6TA	M10A	6F	6KM	6TA	M10A				
6F5	6L	6Z	M10Z	6F5	6L	6Z	M10Z				
6G5	6M	M8A		6G5	6M	M8A					
8A	8KF	8Q	M12A	8A	8KF	8Q	M12A	C8L			
8F	8KM	8TA	M12Z	8F	8KM	8TA	M12Z				
8F5	8L	8V		8F5	8L	8V					
8G5	8M	8Z		8G5	8M	8Z					
12A	12KF	12Q	M20A	12A	12KF	12Q	M20A	C12L			
12F	12KM	12TA	M20Z	12F	12KM	12TA	M20Z				
12F5	12L	12V	M22A	12F5	12L	12V	M22A				
12G5	12M	12Z	M22Z	12G5	12M	12Z	M22Z				
16A	16G5	16L	16Z	16A	16G5	16L	16Z	C16L			
16F	16KF	16M	M25A	16F	16KF	16M	M25A				
16F5	16KM	16TA	M25Z	16F5	16KM	16TA	M25Z				

*If the inlet and outlet ports are the same, eliminate the outlet port designator.

Options

Oxygen Cleaning – Add the suffix **-C3** to the end of the part number to receive filters cleaned and assembled for oxygen service in accordance with Parker specification ES8003. **Example:** 4A-C4L-1-BN-SS-C3

Laser Weld – Add the suffix **-LW** to the end of the part number to receive tamper-resistant stainless steel filters. **Example:** 2F-C2L-1-SS-LW

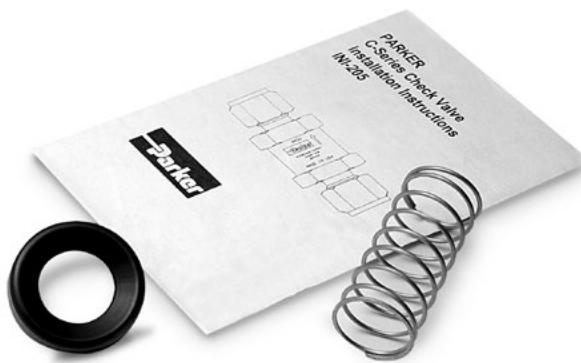
Kit Information

To order repair kits for the C Series Check Valves simply fill in the designators from the chart below.

Size	Crack Pressure	Seat Material	
C2	1/3 psi	V	Fluorocarbon Rubber
C4	1 psi	BN	Nitrile
C6	5 psi	EPR	Ethylene Propylene Rubber
C8	10 psi	NE	Neoprene Rubber
C12	25 psi	*T	PTFE
C16	75 psi	KZ	Highly Fluorinated Fluorocarbon
	100 psi		

*PTFE kits can only be used to replace factory installed PTFE seats. It cannot be interchanged with seats of any other material.

Examples: KIT-C8-10-V, KIT-C16-100-BN



Check Valve Kits Contain:

- Seat
- Spring
- Instructions

Introduction

Parker CB and CBF Series Check Valves are designed for uni-directional flow control of fluids and gases. The unique floating ball valve design handles demanding services in power generation, chemical processing, oil/gas production, and other demanding applications. The CB/CBF Series are specifically designed to reduce check valve maintenance and performance requirements on dual fuel turbines. Specific issues include, but are not limited to seat leakage, coking, repair and maintenance. All of these issues directly affect turbine efficiency, impacting operating costs. The advanced seat materials of the CB/CBF Series Check Valves are particularly suited for higher temperature applications requiring high integrity leak rates and re-sealing capabilities.

Features

- ▶ Rugged and reliable floating ball valve seat design optimizes sealing characteristics while minimizing effects of coking.
- ▶ Optional hard PTFE coated ball cage resists poppet “stick” commonly experienced with fuel oil coking.
- ▶ Fully field serviceable with Parker rebuild kits. Replace seats in minutes without special tools.
- ▶ Advanced reinforced PTFE copolymer seat materials designed by Parker for demanding applications such as air purge and fuel oil.
- ▶ Integral “last chance” filter option for seat and nozzle protection.
- ▶ To even further reduce turbine downtime during repairs, utilize Parker’s metal flexible hoses.

Specifications

Shell Pressure Rating:

..... 3000 psi CWP

Standard Crack Pressures:

..... 1, 5, 10, 15, 50, 100, 120

Seat Materials, Back Pressure and Temperature Ratings:

Parkerfill..... 1000 psi @ 100°F

..... 300 psi @ 450°F

Parker Carbon 2500 psi @ 100°F

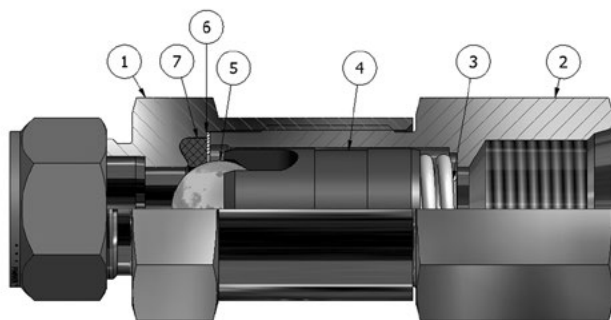
..... 1250 psi @ 450°F

Parkerfill is a PTFE copolymer reinforced with carbon and graphite.

Parker Carbon is a PTFE copolymer reinforced with carbon.

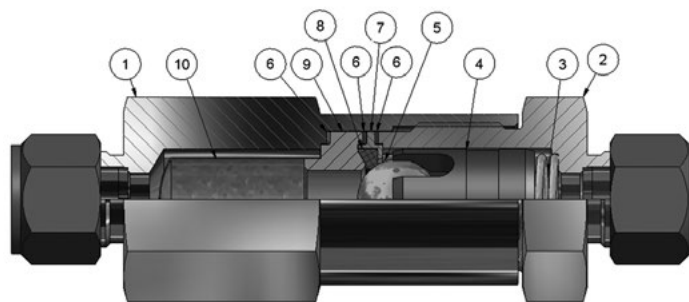
Materials of Construction

CB Series Check Valve



Item #	Part	Stainless Valve
1	Body	ASTM A276, Type 316
2	Cap	ASTM A276, Type 316
3	Crack Spring	316 Stainless Steel
4	Ball Cage	ASTM A276, Type 316
5	Ball	440C Stainless Steel
6	Body Washer	316 SS PTFE Coated
7	Seat	Parkerfill, Parker Carbon

CBF Series Filter Check Valve



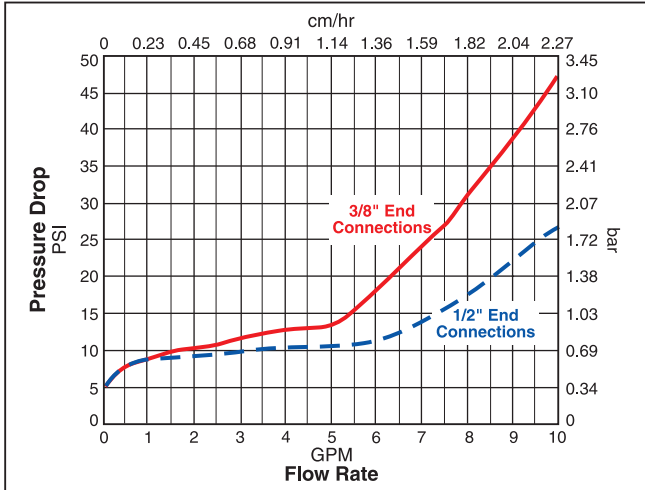
Item #	Part	Stainless Valve
1	Cap	ASTM A276, Type 316
2	Body	ASTM A276, Type 316
3	Crack Spring	316 Stainless Steel
4	Ball Cage	ASTM A276, Type 316 Hard PTFE Coated
5	Ball	440C SS
6	Body Seal	Grafoil®
7	Seat Retainer	316 Stainless Steel
8	Seat	Parkerfill, Parker Carbon
9	Filter Base	316 Stainless Steel
10	Filter Element	Perforated 316 SS Sheet

Grafoil® is a registered trademark of GrafTech International Holdings, Inc.

Flow Curves

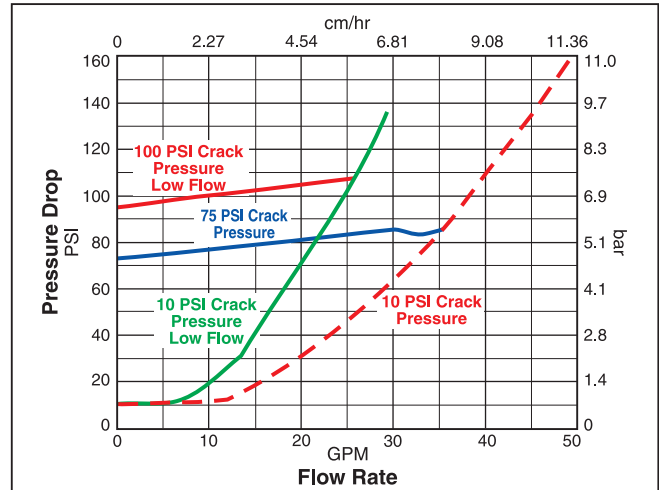
CB6 Check Valve

Flow Rate vs. Pressure Drop
CB-Series Check Valve – Size CB6
5 PSI Crack Pressure



CB12 Check Valve

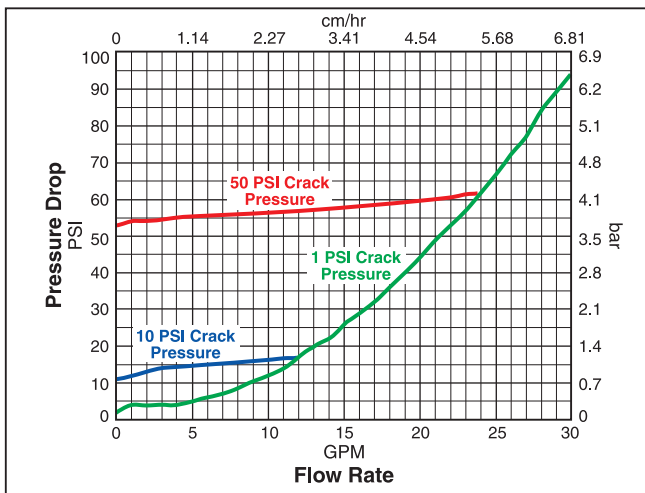
Flow Rate vs. Pressure Drop
CB-Series Check Valve – Size CB12
3/4" End Connections



CB
CBF

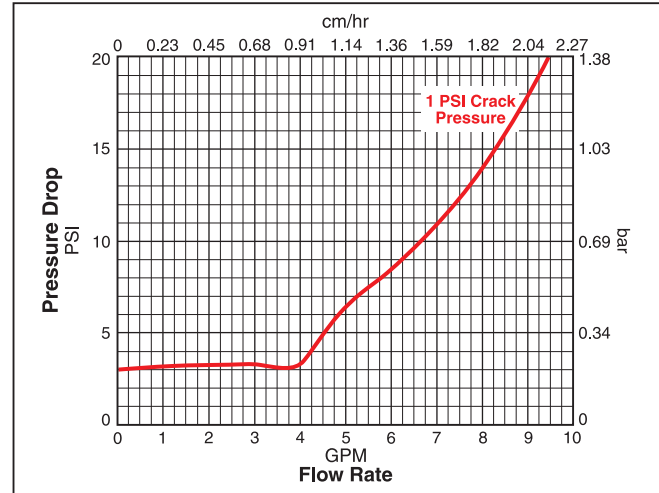
CB8 Check Valve

Flow Rate vs. Pressure Drop
CB-Series Check Valve – Size CB8
1/2" End Connections



CBF8 Filter Check Valve

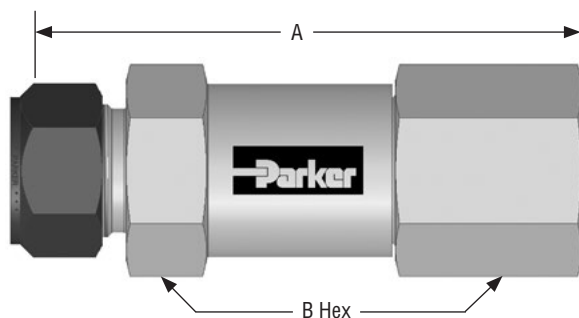
Flow Rate vs. Pressure Drop
CB-Series Check Valve – Size CBF8
1/2" End Connections – 380 Micron Filter



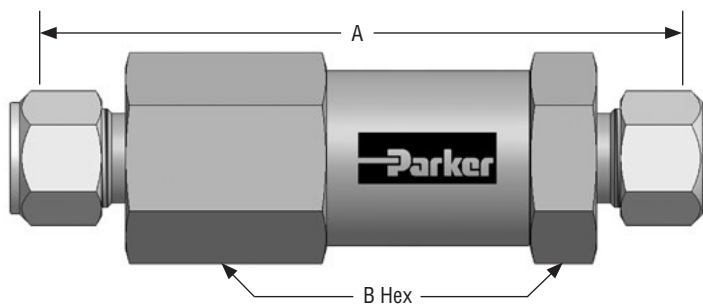
Dimensions

Dimensions in inches (millimeters) are for reference only, subject to change.

CB Series Check Valve



CBF Series Filter Check Valve


 CB
CBF

Body Size	End Connections		Dimensions	
	Inlet Port	Outlet Port	A	B Hex
CB6	3/8" A-LOK® (6A) or CPI™ (6Z)	3/8" A-LOK® (6A) or CPI™ (6Z)	2.72	1.00
	3/8" A-LOK® (6A) or CPI™ (6Z)	3/8" Male NPT (6M)	2.88	
	1/2" A-LOK® (8A) or CPI™ (8Z)	1/2" A-LOK® (8A) or CPI™ (8Z)	2.78	
	1/2" A-LOK® (8A) or CPI™ (8Z)	1/2" Female SAE (8G5)	2.98	
	1/2" A-LOK® (8A) or CPI™ (8Z)	1/2" Male NPT (8M)	2.98	
	1/2" Male JIC 37° Flare (8X)	1/2" Female SAE (8G5)	3.16	
CB8	1/2" A-LOK® (8A) or CPI™ (8Z)	1/2" A-LOK® (8A) or CPI™ (8Z)	3.30	1.25
	1/2" A-LOK® (8A) or CPI™ (8Z)	1/2" Female SAE (8G5)	3.44	
	1/2" Male JIC 37° Flare (8X)	1/2" Female SAE (8G5)	3.48	
	1/2" A-LOK® (8A) or CPI™ (8Z)	1/2" Male NPT (8M)	3.44	
	5/8" A-LOK® (10A) or CPI™ (10Z)	5/8" A-LOK® (10A) or CPI™ (10Z)	3.30	
CB12	3/4" A-LOK® (12A) or CPI™ (12Z)	3/4" A-LOK® (12A) or CPI™ (12Z)	3.56	1.375
	3/4" A-LOK® (12A) or CPI™ (12Z)	3/4" Female SAE (12G5)	3.84	
	3/4" A-LOK® (12A) or CPI™ (12Z)	3/4" Male NPT (12M)	3.84	
	3/4" Male JIC 37° Flare (12X)	3/4" Female SAE (12G5)	4.12	

Body Size	End Connections		Dimensions	
	Inlet Port	Outlet Port	A	B Hex
CBF8	1/2" A-LOK® (8A) or CPI™ (8Z)	1/2" A-LOK® (8A) or CPI™ (8Z)	4.50	1.375
	1/2" A-LOK® (8A) or CPI™ (8Z)	1/2" Female SAE (8G5)	4.70	
	1/2" Male JIC 37° Flare (8X)	1/2" Female SAE (8G5)	4.93	
	1/2" A-LOK® (8A) or CPI™ (8Z)	1/2" Male NPT (8M)	4.70	
	5/8" A-LOK® (10A) or CPI™ (10Z)	5/8" A-LOK® (10A) or CPI™ (10Z)	4.75	
	3/4" A-LOK® (12A) or CPI™ (12Z)	3/4" A-LOK® (12A) or CPI™ (12Z)	4.75	
	3/4" A-LOK® (12A) or CPI™ (12Z)	3/4" Female SAE (12G5)	5.14	
	3/4" A-LOK® (12A) or CPI™ (12Z)	3/4" Male NPT (12M)	4.96	
	3/4" Male JIC 37° Flare (12X)	3/4" Female SAE (12G5)	5.37	

How to Order CB Series Check Valves

Dimensions in inches (millimeters) are for reference only, subject to change.

The correct part number is easily derived from the following example and ordering chart. The six product characteristics required are coded as shown in the chart.

The example below describes a CB Series Check Valve with 3/4" CPI™ compression inlet and outlet ports, a 120 psi crack pressure, Parkerfill seat and stainless steel body construction.

CB
CBF

Example: 12Z-CB12L-120-PF-SS

12Z				-	CB12L	-	120	-	PF	-	SS
Inlet Port*		Outlet Port*			Body Size		Crack Pressure		Seat Material		Body Material
Inlet Port*		Outlet Port*			Body Size		Crack Pressure		Seat Material		Body Material
6A	8A	6A	8M		CB6L		1 psi	PF	Parkerfill	SS	316 Stainless Steel
6Z	8Z	6Z	8Z				5 psi	PC	Parker Carbon		
	8X	8A	8G5				10 psi				
8A	10A	8A	8Z		CB8L		25 psi				
8Z	10Z	8G5	10A				50 psi				
8X		8M	10Z				75 psi				
12A	12Z	12A	12M		CB12L		100 psi				
12X		12G5	12Z				120 psi				

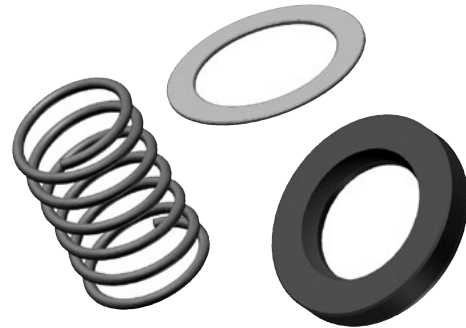
*If the inlet and outlet ports are the same, eliminate the outlet port designator.

Repair Kits — CB Series Check Valves

Kits include seat, body gasket and crack spring. To order, fill in the designators from the chart below.

Kit	Size	Crack Pressure	Seat Material
KIT	CB6 CB8 CB12	1 psi	PF Parkerfill
		5 psi	PC Parker Carbon
		10 psi	
		15 psi	
		50 psi	
		100 psi	
		120 psi	

Example kit part number: **KIT-CB12-120-PF**



How to Order CBF Series Check, Filter Valves

Dimensions in inches (millimeters) are for reference only, subject to change.

The correct part number is easily derived from the following example and ordering chart. The seven product characteristics required are coded as shown in the chart.

The example below describes a CBF Series Check, Filter Valve with a 1/2" CPI™ compression inlet and a 1/2" male NPT outlet, a 1 psi crack pressure, Parkerfill seat material, stainless steel body construction and a 380 Micron filter rating.

Example: 8Z8M-CBF8L-1-PF-SS-380

8Z		8M		-		CBF8L		-		1		-		PF		-		SS		-		380	
Inlet Port*		Outlet Port*				Body Size				Crack Pressure		Seat Material		Body Material				Filter Rating					
Inlet Port*		Outlet Port*				Body Size				Crack Pressure		Seat Material		Body Material				Filter Rating					
8A	10Z	8A	10Z			CBF8L				1 psi		PF Parkerfill		SS 316				75 Microns					
8X	12A	8G5	12A							5 psi		PC Parker		Stainless				200 Microns					
8Z	12Z	8M	12G5							10 psi		Carbon		Steel				380 Microns					
10A	12X	8Z	12M							25 psi								500 Microns					
		10A	12Z							50 psi													
										75 psi													
										100 psi													
										120 psi													

*If the inlet and outlet ports are the same, eliminate the outlet port designator.

Repair Kits — CBF Series Check, Filter Valves

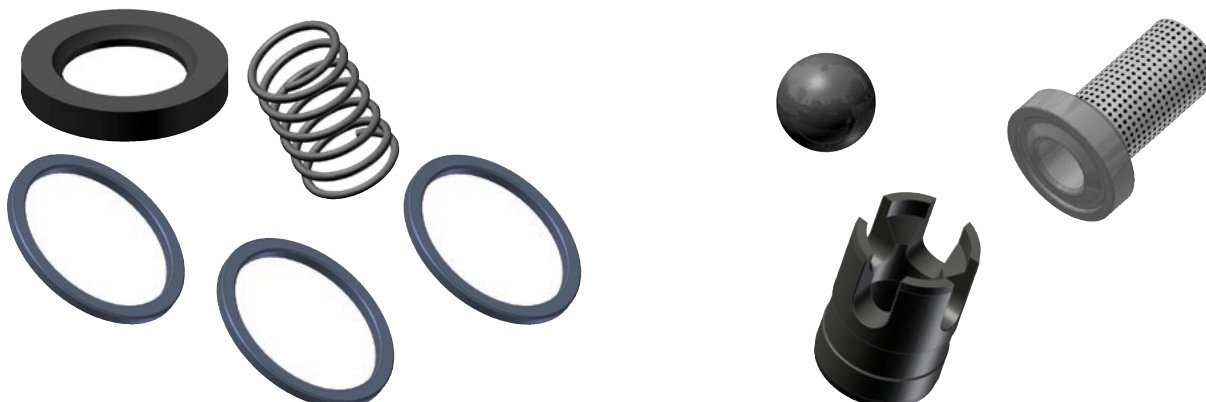
Seal kits (KITS) include seat, body gasket and crack spring. Valve kits (KITV) include seat, body gaskets, crack spring and ball. Optional parts for valve kits include ball cage and filter. To order, fill in the designators from the chart below.

Kit	Size	Crack Pressure	Seat Material	Valve Kit Options	Filter Rating
KITS	CBF8	1 psi	PF Parkerfill	Blank None	75 Microns
KITV		5 psi	PC Parker	1 Ball Cage	200 Microns
		10 psi	Carbon	2 Filter	380 Microns
		25 psi		3 Ball Cage & Filter	500 Microns
		50 psi			(Include with filter option)
		75 psi			
		100 psi			
120 psi					

Examples:

Seal kit part number: **KITS-CBF8-10-PF**

Valve kit part number: **KITV-CBF8-10-3-200** (with Ball Cage and 200 micron filter option)



Introduction

Parker CO Series Check Valves are designed for uni-directional flow control of fluids and gases in industries such as chemical processing, oil and gas production and transmission, pharmaceutical, pulp and paper, power and utilities. The CO Series Check Valve is particularly suitable for applications requiring high integrity leak rates and re-sealing capabilities.

CO

Features

- ▶ Seal integrity across the seat and to atmosphere is tested to 4×10^{-9} std atm-cc/sec (4×10^{-10} kPa – L/sec) for the CO4L with fluorocarbon rubber seals. All other sizes and seal materials are tested to 1×10^{-5} std atm-cc/sec (1×10^{-6} kPa – L/sec).
- ▶ Special seat seal design provides a repeatable high integrity seal and accurate cracking pressures
- ▶ 100% factory tested. Cracking pressures include: 1/3, 1, 5, 10, 25, 50, 75, and 100 psi.
- ▶ Valves are available with male and female NPT, CPI™, A-LOK®, UltraSeal, male and female VacuSeal, and Tube Adapter
- ▶ Heat code traceability
- ▶ Color coded identification labels indicate seal material

Specifications

Pressure Rating:6000 psig (414 bar) CWP

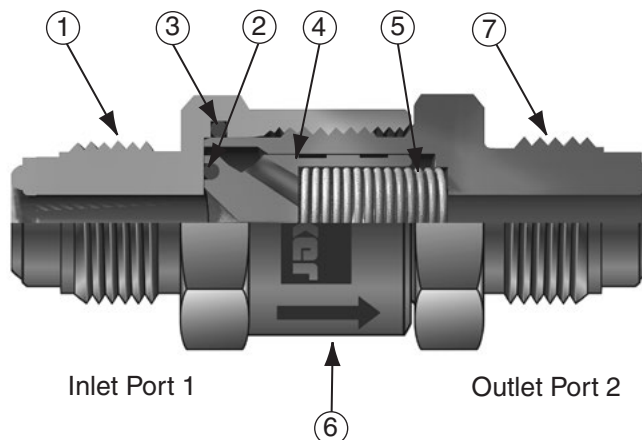
Temperature Rating:

- Fluorocarbon Rubber..... -15°F to 400°F (-26°C to 204°C)
- Nitrile Rubber..... -30°F to 250°F (-34°C to 121°C)
- Ethylene Propylene Rubber
..... -70°F to 275°F (-57°C to 135°C)
- Highly Fluorinated Fluorocarbon Rubber
..... -15°F to 200°F (-26°C to 93°C)

Orifice:156" to .406" (4.0mm to 10.3mm)

C_v:43 to 2.65

Materials of Construction



Model Shown: 4V-CO4L-5-V-SS

Item #	Part	Stainless Valve
1	Cap*	ASTM A276, Type 316
2	Seat Seal	Fluorocarbon Rubber**
3	Body Seal	Fluorocarbon Rubber**
4	Poppet	ASTM A479, Type 316
5	Spring	316 Stainless Steel
6	Label	Aluminum
7	Body*	ASTM A276, Type 316

* For Female VacuSeal ports, body and cap are manufactured from ASTM A479, TYPE 316L.

** Optional seal materials are available. See [How to Order](#) section.
Lubrication: Perfluorinated Polyether

Flow Calculations with 1000 psig (69 bar) Inlet Pressure

Valve Series	Maximum C _v	Pressure Drop ΔP		Water @ 60-1/2°F (16-1/2°C)		Air @ 60-1/2°F (16-1/2°C)	
		psig	bar	gpm	m ³ /hr	SCFM	m ³ /hr
C04	0.62	10	0.7	2.0	0.4	61.8	104.5
		50	3.4	4.4	1.0	135.7	227.7
		100	6.9	6.2	1.4	187.5	316.7
C06	1.85	10	0.7	5.9	1.3	184.4	311.6
		50	3.4	13.1	3.0	404.4	678.5
		100	6.9	18.5	4.2	557.9	942.3
C08	2.65	10	0.7	8.4	1.9	264.2	446.5
		50	3.4	18.7	4.2	580.3	973.8
		100	6.9	26.5	6.0	802.3	1355.3

Crack and Re-Seal Performance

Check Valve Rated Crack Pressure		Minimum Acceptable Crack Pressure		Maximum Acceptable Crack Pressure		Maximum Re-seal Back Pressure	
psig	bar	psig	bar	psig	bar	psig	bar
1/3	0.02	0	0.00	1	0.07	4	0.28
1	0.07	0	0.00	3	0.21	4	0.28
5	0.34	3	0.21	8	0.55	3 BCP	0.21 BCP
10	0.69	7	0.48	13	0.90	3 BCP	0.21 BCP
25	1.72	20	1.38	30	2.07	4 BCP	0.28 BCP
50	3.45	40	2.76	60	4.14	5 BCP	0.34 BCP
75	5.17	60	4.14	90	6.21	7 BCP	0.48 BCP
100	6.89	80	5.52	120	8.27	10 BCP	0.69 BCP

BCP means "Below Cracking Pressure."

Cracking pressure is defined as the upstream pressure at which a detectable flow is measured.

Re-seal pressure is defined as the downstream pressure at which the check valve closes bubble-tight.

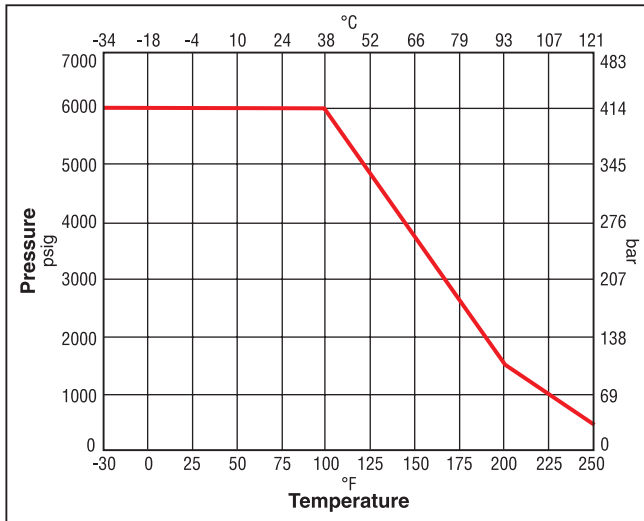
Example: For a valve with a spring having a rated cracking pressure of 25 psig (1.72 bar), the actual cracking pressure ranges between 20 and 30 psig (1.38 and 2.07 bar). The re-seal pressure range would be 16 to 20 psig (1.10 to 1.38 bar). Check valves having springs with rated crack pressures of 3 psig (0.21 bar) or less may require up to 4 psig (0.28 bar) back pressure to re-seal bubble-tight.

Note: Check valves which are not actuated for a period of time may initially crack at higher than the above crack pressure ranges.

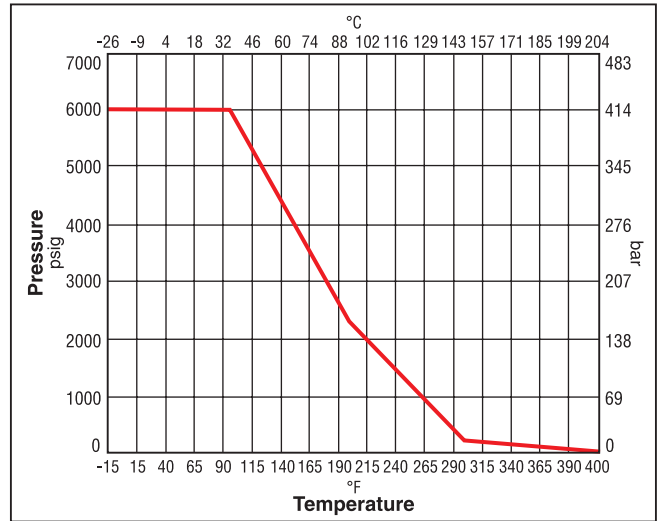
Pressure vs. Temperature

Note: To determine MPa, multiply bar by 0.1

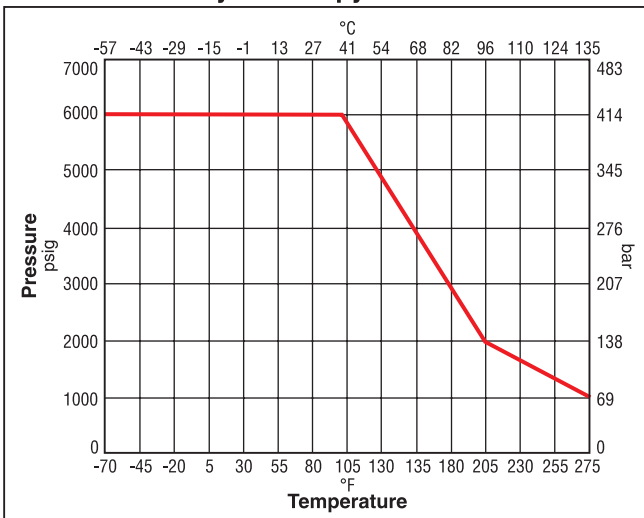
Nitrile Seal



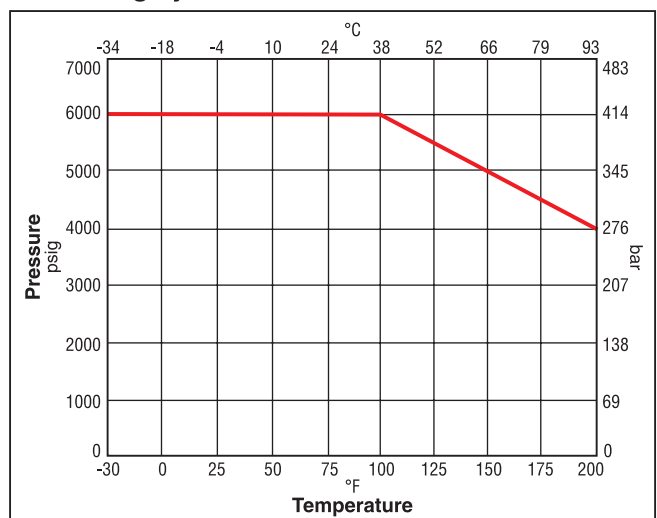
Fluorocarbon Seal



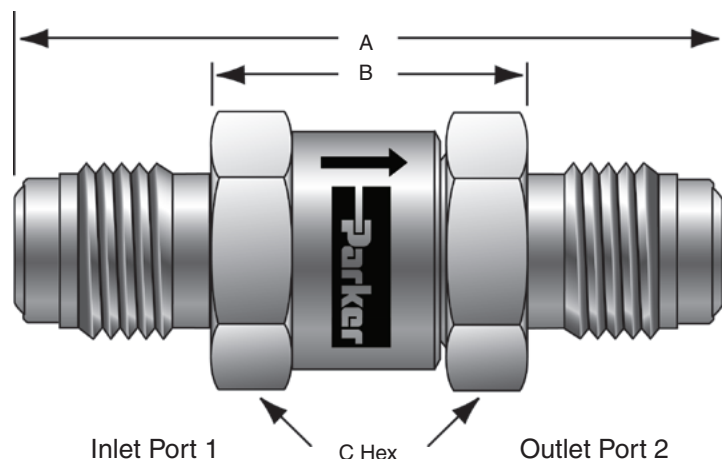
Ethylene Propylene Seal



Highly Fluorinated Fluorocarbon Seal



Dimensions and Flow Data



D = Hex of nuts where applicable

Model Shown: 4V-CO4L-5-KZ-SS

Dimensions in inches (millimeters) are for reference only, subject to change.

Basic Part Number	End Connections		Flow Data				Dimensions							
	Inlet Port 1	Outlet Port 2	Orifice		C_V	X_T^*	A†		B		C		D	
			Inch	mm			Inch	mm	Inch	mm	Inch	mm		
4A-CO4L-***-SS	1/4" A-LOK® Compression	1/4" A-LOK® Compression	.187	4.7	.62	.73	2.38	60.7	1.00	25.4	.750	19.1	.563	14.3
4F-CO4L-***-SS	1/4" Female NPT	1/4" Female NPT	.187	4.7	.62	.73	2.38	60.5	-	-	.750	19.1	-	-
4M-CO4L-***-SS	1/4" Male NPT	1/4" Male NPT	.187	4.7	.62	.73	2.09	53.1	.95	24.1	.750	19.1	-	-
4Q-CO4L-***-SS	1/4" UltraSeal	1/4" UltraSeal	.180	4.6	.58	.72	1.91	48.5	.98	24.9	.750	19.1	-	-
4TA-CO4L-***-SS	1/4" Tube Adapter	1/4" Tube Adapter	.156	4.0	.43	.62	2.35	59.7	1.07	27.2	.750	19.1	-	-
4V-CO4L-***-SS	1/4" VacuSeal	1/4" VacuSeal	.187	4.7	.62	.73	2.22	56.4	.98	24.9	.750	19.1	-	-
4V1-CO4L-***-SS	1/4" Female VacuSeal	1/4" Female VacuSeal	.182	4.6	.59	.75	2.67	67.8	.98	24.9	.750	19.1	.750	19.1
4Z-CO4L-***-SS	1/4" CPI™ Compression	1/4" CPI™ Compression	.187	4.7	.62	.73	2.39	60.7	1.00	25.4	.750	19.1	.563	14.3
M6A-CO4L-***-SS	6mm A-LOK® Compression	6mm A-LOK® Compression	.187	4.7	.62	.73	2.41	61.2	1.01	25.7	.750	19.1	.551	14.0
M6Z-CO4L-***-SS	6mm CPI™ Compression	6mm CPI™ Compression	.187	4.7	.62	.73	2.41	61.2	1.01	25.7	.750	19.1	.551	14.0
4M4A-CO4L-***-SS	1/4" Male NPT	1/4" A-LOK® Compression	.187	4.7	.62	.73	2.25	57.2	.98	24.9	.750	19.1	.563	14.3
4M4F-CO4L-***-SS	1/4" Male NPT	1/4" Female NPT	.187	4.7	.62	.73	2.26	57.4	1.69	42.9	.750	19.1	-	-
4M4Z-CO4L-***-SS	1/4" Male NPT	1/4" CPI™ Compression	.187	4.7	.62	.73	2.25	57.2	.98	24.9	.750	19.1	.563	14.3
6A-CO6L-***-SS	3/8" A-LOK® Compression	3/8" A-LOK® Compression	.281	7.1	1.70	.73	3.17	80.5	1.65	41.9	1.00	25.4	.688	17.5
6F-CO6L-***-SS	3/8" Female NPT	3/8" Female NPT	.328	8.3	1.85	.69	3.03	77.0	-	-	1.00	25.4	-	-
6M-CO6L-***-SS	3/8" Male NPT	3/8" Male NPT	.328	8.3	1.85	.69	2.78	70.6	1.64	41.7	1.00	25.4	-	-
6TA-CO6L-***-SS	3/8" Tube Adapter	3/8" Tube Adapter	.281	7.1	1.70	.73	3.09	78.5	1.65	41.9	1.00	25.4	-	-
6Z-CO6L-***-SS	3/8" CPI™ Compression	3/8" CPI™ Compression	.281	7.1	1.70	.73	3.17	80.5	1.65	41.9	1.00	25.4	.688	17.5
8V-CO6L-***-SS	1/2" VacuSeal	1/2" VacuSeal	.328	8.3	1.85	.69	3.57	90.7	2.06	52.3	1.00	25.4	-	-
8V1-CO6L-***-SS	1/2" Female VacuSeal	1/2" Female VacuSeal	.328	8.3	1.85	.69	3.57	90.7	1.65	41.9	1.00	25.4	1.062	27.0
M8A-CO6L-***-SS	8mm A-LOK® Compression	8mm A-LOK® Compression	.250	6.4	1.60	.68	3.15	80.0	1.69	42.9	1.00	25.4	.630	16.0
M8Z-CO6L-***-SS	8mm CPI™ Compression	8mm CPI™ Compression	.250	6.4	1.60	.68	3.15	80.0	1.69	42.9	1.00	25.4	.630	16.0
8A-CO8L-***-SS	1/2" A-LOK® Compression	1/2" A-LOK® Compression	.406	10.3	2.65	.75	3.37	85.6	1.63	41.4	1.25	31.8	.875	22.2
8F-CO8L-***-SS	1/2" Female NPT	1/2" Female NPT	.406	10.3	2.65	.75	3.60	91.4	-	-	1.25	31.8	-	-
8M-CO8L-***-SS	1/2" Male NPT	1/2" Male NPT	.406	10.3	2.65	.75	3.16	80.3	1.65	41.9	1.25	31.8	-	-
8Q-CO8L-***-SS	1/2" UltraSeal	1/2" UltraSeal	.375	9.5	2.55	.78	3.01	76.5	2.05	52.1	1.25	31.8	-	-
8TA-CO8L-***-SS	1/2" Tube Adapter	1/2" Tube Adapter	.375	9.5	2.55	.78	3.64	92.5	1.68	42.7	1.25	31.8	-	-
8V-CO8L-***-SS	1/2" VacuSeal	1/2" VacuSeal	.406	10.3	2.65	.75	3.56	90.4	2.05	52.1	1.25	31.8	-	-
8V1-CO8L-***-SS	1/2" Female VacuSeal	1/2" Female VacuSeal	.375	9.5	2.55	.78	3.65	92.7	1.73	43.9	1.25	31.8	1.062	27.0
8Z-CO8L-***-SS	1/2" CPI™ Compression	1/2" CPI™ Compression	.406	10.3	2.65	.75	3.37	85.6	1.63	41.4	1.25	31.8	.875	22.2
M12A-CO8L-***-SS	12mm A-LOK® Compression	12mm A-LOK® Compression	.375	9.5	2.55	.78	3.44	87.4	1.72	43.7	1.25	31.8	.866	22.0
M12Z-CO8L-***-SS	12mm CPI™ Compression	12mm CPI™ Compression	.375	9.5	2.55	.78	3.44	87.4	1.72	43.7	1.25	31.8	.866	22.0

*Cracking Pressure **Seal Designator

* Tested in accordance with ISA S75.02. Gas flow will be choked when $P_1 - P_2 / P_1 = X_T$.

† For CPI™ and A-LOK®, dimensions are measured with nuts in the finger tight position.

Label Color Cross Reference

Label Color	Seal Material
Brown	Fluorocarbon Rubber
Black	Nitrile Rubber
Purple	Ethylene Propylene Rubber
Green	All others

Testing: All valves are 100% tested for crack, re-seal, and helium leakage.

How to Order

Dimensions in inches (millimeters) are for reference only, subject to change.

The correct part number is easily derived from the following example and ordering chart. The six product characteristics required are coded as shown in the chart.

The example below describes a CO Series Check Valve with 1/4" male NPT inlet and a 1/4" female NPT outlet, 1 psig cracking pressure, fluorocarbon rubber seals, and stainless steel body construction.

Example: 4M4F-CO4L-1-V-SS

Inlet Port*				Outlet Port*				Body Size	Crack Pressure	Seat & Seal Material	Body Material		
4A	4Q	4V1	M6A	4A	4Q	4V1	M6A	CO4L	1/3 psi	V	Fluorocarbon Rubber	SS	316 Stainless Steel
4F	4TA	4Z	M6Z	4F	4TA	4Z	M6Z		1 psi				
4M	4V			4M	4V				5 psi	BN	Nitrile Rubber		
6A	6TA	8V	M8A	6A	6TA	8V	M8A	C06L	10 psi	EPR	Ethylene Propylene Rubber		
6F	6Z	8V1	M8Z	6F	6Z	8V1	M8Z		25 psi				
6M				6M					50 psi	KZ	Highly Fluorinated Fluorocarbon Rubber		
8A	8Q	8V1	M12A	8A	8Q	8V1	M12A	75 psi					
8F	8TA	8Z	M12Z	8F	8TA	8Z	M12Z	C08L	100 psi				
8M	8V			8M	8V								

*If the inlet and outlet port s are the same, eliminate the outlet port designator.

Options

Oxygen Cleaning – Add the suffix **-C3** to the end of the part number to receive filters cleaned and assembled for oxygen service in accordance with Parker specification ES8003. **Example:** 4A-CO4L-1-BN-SS-C3

Special Cleaning – All face seal ended valves are cleaned in accordance with Parker Specification ES8001. This is an option for all valves by adding the suffix **-C1** to the end of the part number. **Example:** M6A-CO4L-10-SS-C1

Material – Contact the factory for availability of AOD/VAR stainless steel and ID Electropolish.

CO

Introduction

Parker's LC-Series Lift Check Valve has been designed for a wide variety of temperature extremes found in power, chemical, petrochemical, oil & gas, and laboratory applications. The LC-Series, ideal for liquid service, has been designed to prevent flow in the reverse direction to within 99.9% of forward flow. The gravity assisted poppet uses back pressure to achieve a seal.

Features

- ▶ Wide temperature range
- ▶ Variety of end connections available
- ▶ Compact design
- ▶ Rugged, forged body construction
- ▶ Stainless steel construction

Specifications

Pressure Rating

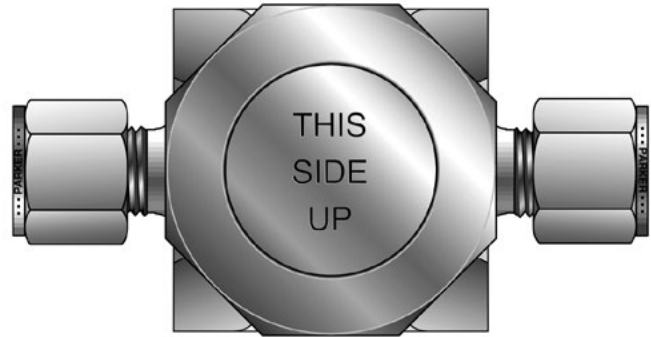
.....6000 psig (414 bar) CWP

Temperature Rating

.....-100°F to 900°F (-148°C to 482°C)

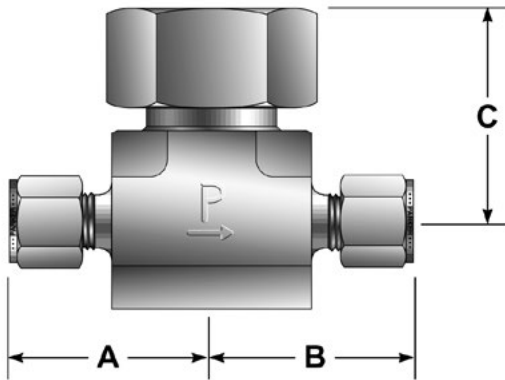
Flow Data:

LC6 Series..... $C_V = .63$ $X_T = .47$
 LC12 Series..... $C_V = 1.20$ $X_T = .63$
 LC16 Series..... $C_V = 2.29$ $X_T = .65$



Note: Valve must be mounted in proper orientation.

Dimensions

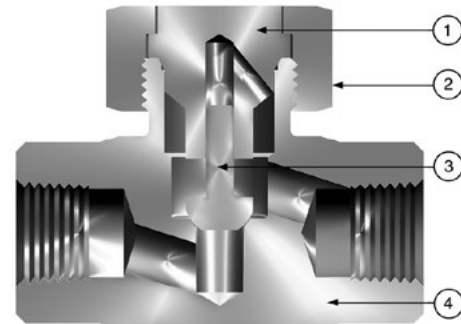


Dimensions in inches (millimeters) are for reference only, subject to change.

Part #	Size/Connection	A	B	C	Bonnet Hex
2F-LC6L-SS	1/8" Female NPT	1.00 (25.4)	1.00 (25.4)	1.34 (34.0)	15/16 (23.8)
4Z-LC6L-SS	1/4" CPI™	1.38 (35.1)	1.38 (35.1)	1.34 (34.0)	15/16 (23.8)
4A-LC6L-SS	1/4" A-LOK®	1.38 (35.1)	1.38 (35.1)	1.34 (34.0)	15/16 (23.8)
4F-LC6L-SS	1/4" Female NPT	1.03 (26.2)	1.03 (26.2)	1.34 (34.0)	15/16 (23.8)
4A4F-LC6L-SS	1/4" A-LOK® x 1/4" Female	1.38 (35.1)	1.03 (26.2)	1.34 (34.0)	15/16 (23.8)
M6A-LC6L-SS	6mm A-LOK®	1.38 (35.1)	1.38 (35.1)	1.34 (34.0)	15/16 (23.8)
4F-LC12L-SS	1/4" Female NPT	1.13 (28.7)	1.13 (28.7)	1.50 (38.1)	1-1/4 (31.8)
6Z-LC12L-SS	3/8" CPI™	1.60 (40.6)	1.60 (40.6)	1.50 (38.1)	1-1/4 (31.8)
6A-LC12L-SS	3/8" A-LOK®	1.60 (40.6)	1.60 (40.6)	1.50 (38.1)	1-1/4 (31.8)
8F-LC16L-SS	1/2" Female NPT	1.56 (39.6)	1.56 (39.6)	1.86 (47.2)	1-1/2 (38.1)
8Z-LC16L-SS	1/2" CPI™	1.97 (50.0)	1.97 (50.0)	1.86 (47.2)	1-1/2 (38.1)
8A-LC16L-SS	1/2" A-LOK®	1.97 (50.0)	1.97 (50.0)	1.86 (47.2)	1-1/2 (38.1)

For CPI™ A-LOK®, dimensions are measured with nuts in the finger-tight position. Metric dimensions are noted by ().

Materials



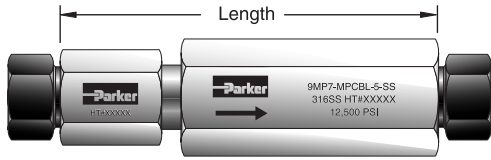
Item #	Part	Stainless Valve
1	Poppet Guide	ASTM A479, Type 316
2	Bonnet Nut	ASTM A479, Type 316
3	Poppet	ASTM A564, Type 630
4	Valve Body	ASTM A182, Type F316

LC16 Series utilizes a nickel-chromium-iron alloy bonnet seal.

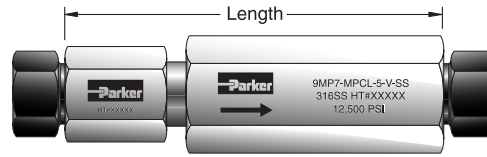
MPC and MPCB Series Check Valves

Parker MPC and MPCB series check valves are designed for uni-directional flow control of fluids and gases up to 15,000 psi.

Ball Check Valves



Poppet Check Valves

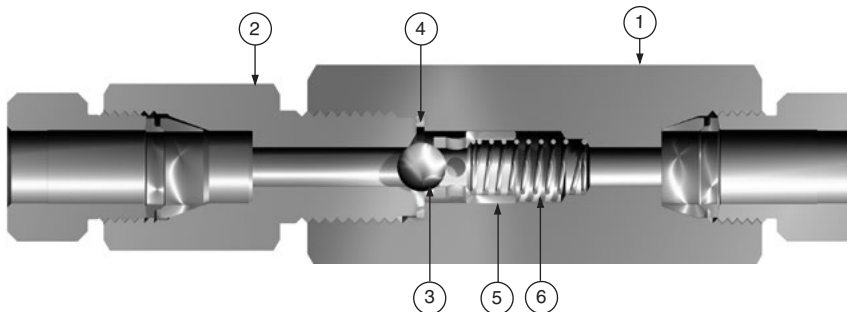


MPC
MPCB

Dimensions in inches (millimeters) are for reference only, subject to change.

Tubing	Ball Check Valve Part Number	Poppet Check Valve Part Number	Pressure psi	Connection	Orifice Inches	Length Inches	Thickness Inches	C _v
1/4" O.D.	4MP7-MPCBL-5-SS	4MP7-MPCL-5-V-SS	15,000	1/4" MPI	0.125	4.16	1.00	0.41
3/8" O.D.	6MP7-MPCBL-5-SS	6MP7-MPCL-5-V-SS	15,000	3/8" MPI	0.219	4.16	1.00	0.62
1/2" O.D.	8MP7-MPCBL-5-SS	8MP7-MPCL-5-V-SS	15,000	1/2" MPI	0.359	5.13	1.38	1.47
9/16" O.D.	9MP7-MPCBL-5-SS	9MP7-MPCL-5-V-SS	15,000	9/16" MPI	0.359	4.50	1.38	1.47
3/4" O.D.	12MP7-MPCBL-5-SS	12MP7-MPCL-5-V-SS	15,000	3/4" MPI	0.438	5.13	1.75	4.01
1" O.D.	16MP7-MPCBL-5-SS	16MP7-MPCL-5-V-SS	12,500	1" MPI	0.563	6.50	2.50	4.78

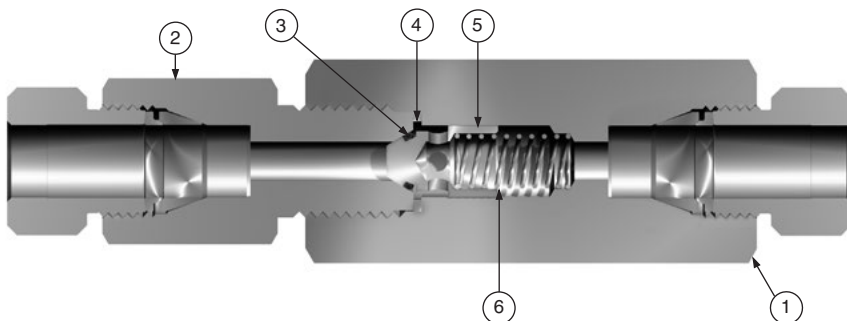
Ball Check Valves



Materials of Construction

Item #	Part	Material
1	Cap	316SS
2	Body	316SS
3	3/8 Ball	316SS
4	Gasket	316SS
5	Ball Support	316SS
6	Spring	316SS

Poppet Check Valves



Materials of Construction

Item #	Part	Material
1	Cap	316SS
2	Body	316SS
3	O-Ring	Fluorocarbon Rubber*
4	Gasket	316SS
5	Poppet	316SS
6	Spring	316SS

*Optional Seal Materials

KZ	Highly Fluorinated Fluorocarbon Rubber
BN	Nitrile Rubber
EPR	Ethylene Propylene Rubber

Example: 16MP7-MPCL-5-BN-SS

Note: For female pipe connection ends, substitute "F" in place of "MP7."

Example: 4F-MPCL-5-V-SS

Introduction

Parker F Series Inline Filters are designed for protection of instrumentation systems from undesirable materials. Component changes or repair and maintenance can admit dirt, chips, scale, or other contaminants to the small bore tubing.

Features

- ▶ Compact inline design with large filtration area
- ▶ Stainless steel and brass construction
- ▶ Replaceable sintered 316 stainless steel filter element
- ▶ Standard sintered metal micron ratings: 1, 5, 10, 50, and 100
- ▶ Optional 250 and 450 micron wire cloth filter elements
- ▶ Port connections include male and female NPT, CPI™, A-LOK®, UltraSeal, VacuSeal, BSP, SAE, and Seal-Lok®
- ▶ Heat code traceability

Specifications

Pressure Rating:

316 SS

1/8" to 3/4"6000 psig (414 bar) CWP

1"5000 psig (345 bar) CWP

All sizes with PTFE Seals4000 psig (276 bar) CWP

Brass - 1/8" to 1"3000 psig (207 bar) CWP

Temperature Rating:

Fluorocarbon Rubber...-15°F to +400°F (-26°C to +204°C)

Nitrile Rubber.....-30°F to +275°F (-34°C to +135°C)

Ethylene Propylene Rubber

.....-70°F to +275°F (-57°C to +135°C)

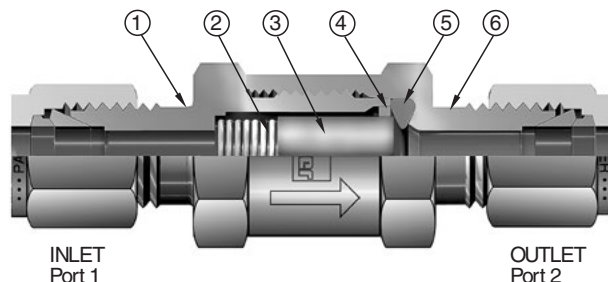
Neoprene Rubber.....-45°F to +250°F (-43°C to +121°C)

PTFE-65°F to +400°F (-54°C to +204°C)

Highly Fluorinated Fluorocarbon Rubber

.....-15°F to +200°F (-26°C to +93°C)

Materials of Construction



Model shown: 4A-F4L-50-SS

Note: Flow direction reversed with wire mesh elements.

Materials of Construction

Item #	Part	Stainless Steel Filter	Brass Filter
1	Body	ASTM A276, Type 316	ASTM B16, Alloy C36000
2	Spring	316 Stainless Steel	
3	Filter Element	316 Stainless Steel	
4	Guide Ring	PTFE	
5	Seal*	Fluorocarbon Rubber*	
6	Cap	ASTM A276, Type 316	ASTM B16, Alloy C36000

* Optional seal materials are available. See [How to Order](#) section.
Lubrication: Perfluorinated Polyether.

F

Flow Calculations with 100 psig (7 bar) Inlet Pressure

Pressure Drop Δ	F2L		F4L		F6L		F8L		F12L		F16L	
	Water gpm at 60°F (16°C)	Air SCFM at 60°F (16°C)	Water gpm at 60°F (16°C)	Air SCFM at 60°F (16°C)	Water gpm at 60°F (16°C)	Air SCFM at 60°F (16°C)	Water gpm at 60°F (16°C)	Air SCFM at 60°F (16°C)	Water gpm at 60°F (16°C)	Air SCFM at 60°F (16°C)	Water gpm at 60°F (16°C)	Air SCFM at 60°F (16°C)
	1 Micron		1 Micron		1 Micron		1 Micron		1 Micron		1 Micron	
5	0.04	0.38	0.13	1.34	0.13	1.38	0.56	5.91	0.66	6.90	0.91	9.52
10	0.05	0.52	0.18	1.86	0.19	1.93	0.80	8.24	0.93	9.61	1.28	13.27
50	0.11	1.03	0.40	3.67	0.42	3.80	1.78	16.21	2.08	18.92	2.87	26.12
	5 Micron		5 Micron		5 Micron		5 Micron		5 Micron		5 Micron	
5	0.06	0.61	0.26	2.74	0.31	3.26	0.92	9.69	1.81	18.96	1.88	19.75
10	0.08	0.85	0.37	3.82	0.44	4.54	1.31	13.50	2.56	26.41	2.66	27.52
50	0.18	1.67	0.83	7.53	0.98	8.94	2.92	26.57	5.71	51.99	5.95	54.18
	10 Micron		10 Micron		10 Micron		10 Micron		10 Micron		10 Micron	
5	0.25	2.63	0.38	4.01	0.45	4.74	1.68	17.67	2.33	24.45	3.04	31.88
10	0.35	3.66	0.54	5.59	0.64	6.60	2.38	24.61	3.30	34.06	4.30	44.42
50	0.79	7.21	1.21	11.00	1.43	13.00	5.32	48.45	7.37	67.05	9.61	87.44
	50 Micron		50 Micron		50 Micron		50 Micron		50 Micron		50 Micron	
5	0.37	3.92	0.76	7.95	1.80	18.89	3.67	38.52	5.23	54.87	7.64	80.16
10	0.53	5.46	1.07	11.08	2.55	26.31	5.19	53.67	7.40	76.46	10.81	111.70
50	1.18	10.75	2.40	21.81	5.69	51.80	11.61	105.65	16.54	150.50	24.16	219.86
	100 Micron		100 Micron		100 Micron		100 Micron		100 Micron		100 Micron	
5	0.51	5.37	1.33	13.94	2.74	28.72	5.13	53.77	7.95	83.42	8.38	87.88
10	0.72	7.49	1.88	19.42	3.87	40.01	7.25	74.92	11.25	116.24	11.85	122.45
50	1.62	14.73	4.20	38.22	8.65	78.76	16.21	147.48	25.14	228.81	26.49	241.03
	250 Micron		250 Micron		250 Micron		250 Micron		250 Micron		250 Micron	
5	0.58	6.03	1.77	18.46	5.41	56.57	8.95	93.50	14.28	149.18	19.14	200.01
10	0.82	8.37	2.50	25.62	7.66	78.51	12.65	129.75	20.19	207.02	27.07	277.56
50	1.82	15.85	5.59	48.53	17.12	148.74	28.29	245.81	45.14	392.21	60.52	525.83
	450 Micron		450 Micron		450 Micron		450 Micron		450 Micron		450 Micron	
5	0.78	8.08	1.82	18.92	7.02	73.18	9.05	94.28	15.36	160.03	19.81	206.39
10	1.10	11.18	2.57	26.17	9.93	101.23	12.80	130.43	21.72	221.38	28.01	285.51
50	2.45	20.54	5.74	48.07	22.21	185.94	28.62	239.57	48.57	406.62	62.64	524.43

F

Flow / Filter Data

Filter Series	Effective Filtration Area		C_V^*						
			1 Micron	5 Micron	10 Micron	50 Micron	100 Micron	250 Micron	450 Micron
	sq in	sq mm	Micron Range .5 to 3	Micron Range 5 to 10	Micron Range 10 to 20	Micron Range 40 to 50	Micron Range 100 to 150	Micron Range 225 to 275	Micron Range 400 to 500
F2L	0.39	252	0.016	0.026	0.112	0.167	0.229	0.258	0.347
F4L	0.70	452	0.057	0.117	0.171	0.339	0.594	0.790	0.812
F6L	1.57	1013	0.059	0.139	0.202	0.805	1.224	2.421	3.141
F8L	2.53	1632	0.252	0.413	0.753	1.642	2.292	4.001	4.047
F12L	3.77	2432	0.294	0.808	1.042	2.339	3.556	6.384	6.869
F16L	4.47	2884	0.406	0.842	1.359	3.417	3.746	8.559	8.859

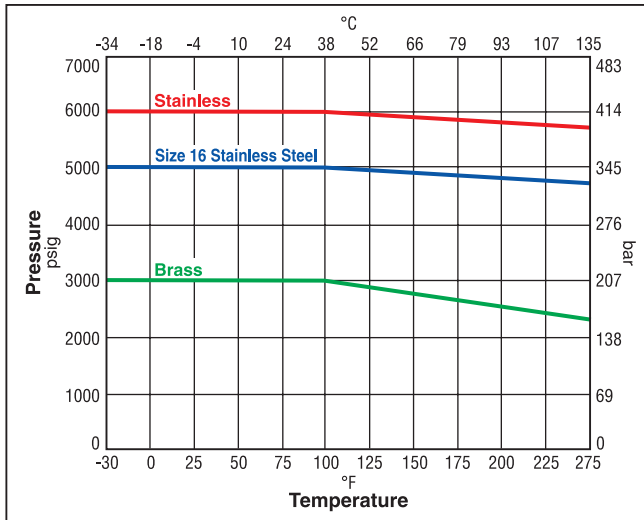
* Tested in accordance with ISA S75.02. Gas flow will be choked when $P_1 - P_2 / P_1 = x_T$.
 $x_T = 1.0$ for micron sizes 1 through 100; 0.79 for the 250 micron size, and 0.68 for the 450 micron size.

Maximum Pressure Differential Across Clean Filters at 70°F (21°C)

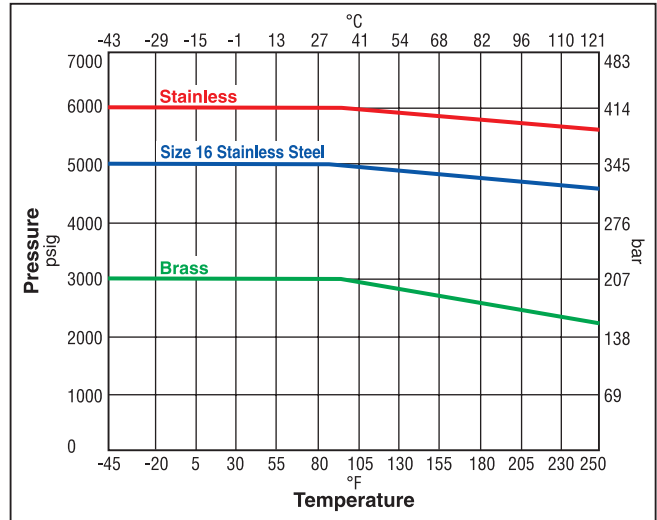
	1 micron	5 micron	10 micron	50 micron	100 micron	250 micron	450 micron
psig	2250	1950	1750	1150	1000	1000	1000
bar	155	134	120	79	69	69	69

Pressure vs. Temperature

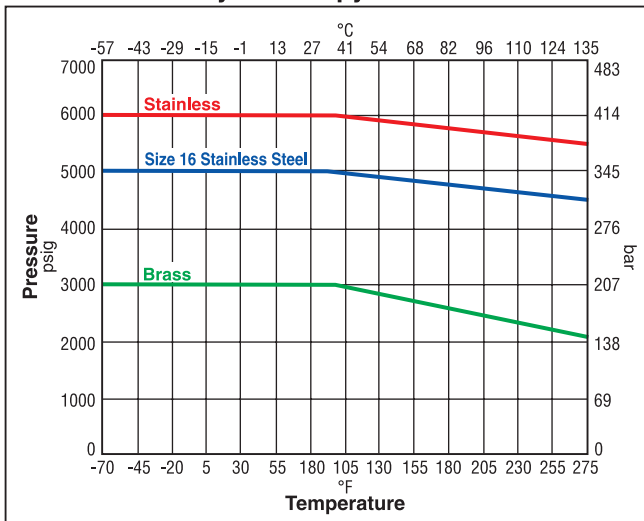
Nitrile Seat



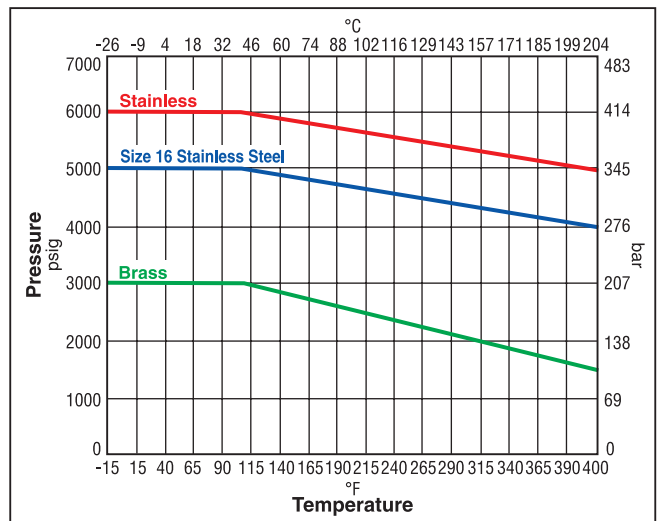
Neoprene Seat



Ethylene Propylene Seat

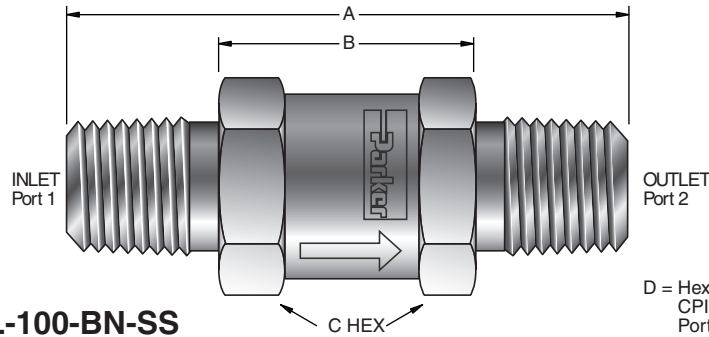


Fluorocarbon Seat



Note: To determine MPa, multiply bar by 0.1

Dimensions



D = Hex Diameter of Nuts on
CPI™ and A-LOK® Compression
Ported Valves

Model shown: 4M-F4L-100-BN-SS

Dimensions in inches (millimeters) are for reference only, subject to change.

Basic Part Number	End Connections		Dimensions							
			A†		B		C		D	
			inch	mm	inch	mm	inch	mm	inch	mm
2A-F2L	1/8" A-LOK® Compression	1/8" A-LOK® Compression	2.29	58.2	1.09	27.7	.625	15.9	.438	11.1
2F-F2L	1/8" Female NPT	1/8" Female NPT	1.86	47.2	–	–	.625	15.9	–	–
2F5-F2L	1/8" Male SAE	1/8" Male SAE	1.69	42.9	1.09	27.7	.625	15.9	–	–
2G5-F2L	1/8" Female SAE	1/8" Female SAE	1.86	47.2	–	–	.625	15.9	–	–
2KF-F2L	1/8" Female BSP/ISO Tapered	1/8" Female BSP/ISO Tapered	1.86	47.2	–	–	.625	15.9	–	–
2KM-F2L	1/8" Male BSP/ISO Tapered	1/8" Male BSP/ISO Tapered	1.77	45.0	1.00	25.4	.625	15.9	–	–
2M-F2L	1/8" Male NPT	1/8" Male NPT	1.77	45.0	1.01	25.7	.625	15.9	–	–
2TA-F2L	1/8" Tube Adapter	1/8" Tube Adapter	1.96	49.8	.88	22.4	.625	15.9	–	–
2Z-F2L	1/8" CPI™ Compression	1/8" CPI™ Compression	2.29	58.2	1.09	27.7	.625	15.9	.438	11.1
M3A-F2L	3mm A-LOK® Compression	3mm A-LOK® Compression	2.30	58.4	1.05	26.7	.625	15.9	.472	12.0
M3Z-F2L	3mm CPI™ Compression	3mm CPI™ Compression	2.30	58.4	1.05	26.7	.625	15.9	.472	12.0
2M2A-F2L	1/8" Male NPT	1/8" A-LOK® Compression	2.03	51.6	1.06	26.9	.625	15.9	.438	11.1
2M2F-F2L	1/8" Male NPT	1/8" Female NPT	1.82	46.2	1.44	36.6	.625	15.9	–	–
2M2Z-F2L	1/8" Male NPT	1/8" CPI™ Compression	2.03	51.6	1.06	26.9	.625	15.7	.438	11.1
2F-F4L	1/8" Female NPT	1/8" Female NPT	2.01	51.1	–	–	.750	19.1	–	–
2M-F4L	1/8" Male NPT	1/8" Male NPT	1.82	46.2	1.06	26.9	.750	19.1	–	–
4A-F4L	1/4" A-LOK® Compression	1/4" A-LOK® Compression	2.42	61.5	1.03	26.2	.750	19.1	.563	14.3
4F-F4L	1/4" Female NPT	1/4" Female NPT	2.40	61.0	–	–	.750	19.1	–	–
4F5-F4L	1/4" Male SAE	1/4" Male SAE	2.02	51.3	1.15	29.2	.750	19.1	–	–
4G5-F4L	1/4" Female SAE	1/4" Female SAE	2.20	55.9	–	–	.750	19.1	–	–
4KF-F4L	1/4" Female BSP/ISO Tapered	1/4" Female BSP/ISO Tapered	2.40	61.0	–	–	.750	19.1	–	–
4KM-F4L	1/4" Male BSP/ISO Tapered	1/4" Male BSP/ISO Tapered	2.18	55.4	1.06	26.9	.750	19.1	–	–
4L-F4L	1/4" Seal-Lok®	1/4" Seal-Lok®	1.82	46.2	1.05	26.7	.750	19.1	–	–
4M-F4L	1/4" Male NPT	1/4" Male NPT	2.18	55.4	1.04	26.4	.750	19.1	–	–
4Q-F4L	1/4" UltraSeal	1/4" UltraSeal	1.97	50.0	1.04	26.4	.750	19.1	–	–
4V-F4L	1/4" VacuSeal	1/4" VacuSeal	2.22	56.4	.98	24.9	.750	19.1	–	–
4TA-F4L	1/4" Tube Adapter	1/4" Tube Adapter	2.35	59.7	1.07	27.2	.750	19.1	–	–
4Z-F4L	1/4" CPI™ Compression	1/4" CPI™ Compression	2.42	61.5	1.03	26.2	.750	19.1	.563	14.3
6A-F4L	3/8" A-LOK® Compression	3/8" A-LOK® Compression	2.55	64.8	1.03	26.2	.750	19.1	.688	17.5
6Z-F4L	3/8" CPI™ Compression	3/8" CPI™ Compression	2.55	64.8	1.03	26.2	.750	19.1	.688	17.5
M6A-F4L	6mm A-LOK® Compression	6mm A-LOK® Compression	2.43	61.7	1.03	26.2	.750	19.1	.551	14.0
M6Z-F4L	6mm CPI™ Compression	6mm CPI™ Compression	2.43	61.7	1.03	26.2	.750	19.1	.551	14.0
4M4A-F4L	1/4" Male NPT	1/4" A-LOK® Compression	2.31	58.7	1.04	26.4	.750	19.1	.563	14.3
4M4F-F4L	1/4" Male NPT	1/4" Female NPT	2.29	58.2	1.72	43.7	.750	19.1	–	–
4M4Z-F4L	1/4" Male NPT	1/4" CPI™ Compression	2.32	58.9	1.05	26.7	.750	19.1	.563	14.3
4M6A-F4L	1/4" Male NPT	3/8" A-LOK® Compression	2.38	60.5	1.05	26.7	.750	19.1	.688	17.5
4M6Z-F4L	1/4" Male NPT	3/8" CPI™ Compression	2.38	60.5	1.05	26.7	.750	19.1	.688	17.5
6A-F6L	3/8" A-LOK® Compression	3/8" A-LOK® Compression	3.27	83.1	1.75	44.5	1.000	25.4	.688	17.5
6F-F6L	3/8" Female NPT	3/8" Female NPT	3.03	77.0	–	–	1.000	25.4	–	–
6F5-F6L	3/8" Male SAE	3/8" Male SAE	2.71	68.8	1.76	44.7	1.000	25.4	–	–
6G5-F6L	3/8" Female SAE	3/8" Female SAE	2.96	75.2	–	–	1.000	25.4	–	–
6KF-F6L	3/8" Female BSP/ISO Tapered	3/8" Female BSP/ISO Tapered	3.03	77.0	–	–	1.000	25.4	–	–
6KM-F6L	3/8" Male BSP/ISO Tapered	3/8" Male BSP/ISO Tapered	2.96	75.2	1.84	46.7	1.000	25.4	–	–
6L-F6L	3/8" Seal-Lok®	3/8" Seal-Lok®	2.65	67.3	1.77	45.0	1.000	25.4	–	–
6M-F6L	3/8" Male NPT	3/8" Male NPT	2.96	75.2	1.82	46.2	1.000	25.4	–	–
6Q-F6L	3/8" UltraSeal	3/8" UltraSeal	2.75	69.8	1.80	45.7	1.000	25.4	–	–
6V-F6L	3/8" VacuSeal	3/8" VacuSeal	3.56	90.4	2.05	52.1	1.000	25.4	–	–
6TA-F6L	3/8" Tube Adapter	3/8" Tube Adapter	3.24	82.3	1.80	45.7	1.000	25.4	–	–
6Z-F6L	3/8" CPI™ Compression	3/8" CPI™ Compression	3.27	83.1	1.75	44.5	1.000	25.4	.688	17.5

Note: Optional wire cloth filter elements may slightly alter dimensions A and B on filters with combination end connections.

†For CPI™ and A-Lok®: Dimensions are measured with nuts in the finger tight position.

Dimensions (Continued)

Dimensions in inches (millimeters) are for reference only, subject to change.

Basic Part Number	End Connections		Dimensions							
			A†		B		C		D	
	Inlet Port 1	Outlet Port 2	inch	mm	inch	mm	inch	mm	inch	mm
8A-F6L	1/2" A-LOK® Compression	1/2" A-LOK® Compression	3.55	90.2	1.81	46.0	1.000	25.4	.875	22.2
8Z-F6L	1/2" CPI™ Compression	1/2" CPI™ Compression	3.55	90.2	1.81	46.0	1.000	25.4	.875	22.2
M8A-F6L	8mm A-LOK® Compression	8mm A-LOK® Compression	3.33	84.6	1.87	47.5	1.000	25.4	.630	16.0
M8Z-F6L	8mm CPI™ Compression	8mm CPI™ Compression	3.33	84.6	1.87	47.5	1.000	25.4	.630	16.0
M10A-F6L	10mm A-LOK® Compression	10mm A-LOK® Compression	3.35	85.1	1.81	46.0	1.000	25.4	.748	19.0
M10Z-F6L	10mm CPI™ Compression	10mm CPI™ Compression	3.35	85.1	1.81	46.0	1.000	25.4	.748	19.0
6M6A-F6L	3/8" Male NPT	3/8" A-LOK® Compression	3.14	79.8	1.81	46.0	1.000	25.4	.688	17.5
6M6F-F6L	3/8" Male NPT	3/8" Female NPT	3.04	77.2	2.47	62.7	1.000	25.4	—	—
6M6Z-F6L	3/8" Male NPT	3/8" CPI™ Compression	3.14	79.8	1.81	46.0	1.000	25.4	.688	17.5
6M8A-F6L	3/8" Male NPT	1/2" A-LOK® Compression	3.25	82.6	1.81	46.0	1.000	25.4	.875	22.2
6M8Z-F6L	3/8" Male NPT	1/2" CPI™ Compression	3.25	82.6	1.81	46.0	1.000	25.4	.875	22.2
8A-F8L	1/2" A-LOK® Compression	1/2" A-LOK® Compression	4.08	103.6	2.34	59.4	1.250	31.8	.875	22.2
8F-F8L	1/2" Female NPT	1/2" Female NPT	3.56	90.4	—	—	1.250	31.8	—	—
8F5-F8L	1/2" Male SAE	1/2" Male SAE	3.45	87.6	2.34	59.4	1.250	31.8	—	—
8G5-F8L	1/2" Female SAE	1/2" Female SAE	3.56	90.4	—	—	1.250	31.8	—	—
8KF-F8L	1/2" Female BSP/ISO Tapered	1/2" Female BSP/ISO Tapered	3.56	90.4	—	—	1.250	31.8	—	—
8KM-F8L	1/2" Male BSP/ISO Tapered	1/2" Male BSP/ISO Tapered	3.56	90.4	2.06	52.3	1.250	31.8	—	—
8L-F8L	1/2" Seal-Lok®	1/2" Seal-Lok®	3.22	81.8	2.21	56.1	1.250	31.8	—	—
8M-F8L	1/2" Male NPT	1/2" Male NPT	3.56	90.4	2.05	52.1	1.250	31.8	—	—
8Q-F8L	1/2" UltraSeal	1/2" UltraSeal	3.28	83.3	2.33	59.2	1.250	31.8	—	—
8TA-F8L	1/2" Tube Adapter	1/2" Tube Adapter	3.75	95.3	1.78	45.2	1.250	31.8	—	—
8V-F8L	1/2" VacuSeal	1/2" VacuSeal	3.56	90.4	2.05	52.1	1.250	31.8	—	—
8Z-F8L	1/2" CPI™ Compression	1/2" CPI™ Compression	4.08	103.6	2.34	59.4	1.250	31.8	.875	22.2
M12A-F8L	12mm A-LOK® Compression	12mm A-LOK® Compression	4.06	103.1	2.34	59.4	1.250	31.8	.866	22.0
M12Z-F8L	12mm CPI™ Compression	12mm CPI™ Compression	4.06	103.1	2.34	59.4	1.250	31.8	.866	22.0
8M8A-F8L	1/2" Male NPT	1/2" A-LOK® Compression	3.82	97.0	2.19	55.7	1.250	31.8	.875	22.2
8M8F-F8L	1/2" Male NPT	1/2" Female NPT	3.56	90.4	2.80	71.1	1.250	31.8	—	—
8M8Z-F8L	1/2" Male NPT	1/2" CPI™ Compression	3.82	97.0	2.19	55.7	1.250	31.8	.875	22.2
12A-F12L	3/4" A-LOK® Compression	3/4" A-LOK® Compression	4.34	110.2	2.60	66.0	1.375	34.9	1.125	28.6
12F-F12L	3/4" Female NPT	3/4" Female NPT	4.09	103.9	—	—	1.375	34.9	—	—
12F5-F12L	3/4" Male SAE	3/4" Male SAE	4.05	102.9	2.59	65.8	1.375	34.9	—	—
12G5-F12L	3/4" Female SAE	3/4" Female SAE	4.13	104.9	—	—	1.375	34.9	—	—
12KF-F12L	3/4" Female BSP/ISO Tapered	3/4" Female BSP/ISO Tapered	4.09	103.9	—	—	1.375	34.9	—	—
12KM-F12L	3/4" Male BSP/ISO Tapered	3/4" Male BSP/ISO Tapered	4.09	103.9	2.59	65.8	1.375	34.9	—	—
12L-F12L	3/4" Seal-Lok®	3/4" Seal-Lok®	3.78	96.0	2.44	62.0	1.375	34.9	—	—
12M-F12L	3/4" Male NPT	3/4" Male NPT	4.09	103.9	2.58	65.5	1.375	34.9	—	—
12Q-F12L	3/4" UltraSeal	3/4" UltraSeal	3.78	96.0	2.64	67.1	1.375	34.9	—	—
12TA-F12L	3/4" Tube Adapter	3/4" Tube Adapter	4.24	107.7	2.18	55.4	1.375	34.9	—	—
12V-F12L	3/4" VacuSeal	3/4" VacuSeal	4.64	117.9	2.64	67.1	1.375	34.9	—	—
12Z-F12L	3/4" CPI™ Compression	3/4" CPI™ Compression	4.34	110.2	2.60	66.0	1.375	34.9	1.125	28.6
M20A-F12L	20mm A-LOK® Compression	20mm A-LOK® Compression	4.32	109.7	2.56	65.0	1.375	34.9	1.260	32.0
M20Z-F12L	20mm CPI™ Compression	20mm CPI™ Compression	4.32	109.7	2.56	65.0	1.375	34.9	1.260	32.0
M22A-F12L	22mm A-LOK® Compression	22mm A-LOK® Compression	4.30	109.2	2.56	65.0	1.375	34.9	1.260	32.0
M22Z-F12L	22mm CPI™ Compression	22mm CPI™ Compression	4.30	109.2	2.56	65.0	1.375	34.9	1.260	32.0
12M12A-F12L	3/4" Male NPT	3/4" A-LOK® Compression	4.22	107.2	2.59	65.8	1.375	34.9	1.125	28.6
12M12F-F12L	3/4" Male NPT	3/4" Female NPT	4.09	103.9	3.34	84.8	1.375	34.9	—	—
12M12Z-F12L	3/4" Male NPT	3/4" CPI™ Compression	4.22	107.2	2.59	65.8	1.375	34.9	1.125	28.6
16A-F16L	1" A-LOK® Compression	1" A-LOK® Compression	4.63	117.6	2.53	64.3	1.625	41.3	1.500	38.1
16F-F16L	1" Female NPT	1" Female NPT	4.84	122.9	—	—	1.625	41.3	—	—
16F5-F16L	1" Male SAE	1" Male SAE	4.10	104.1	2.64	67.1	1.625	41.3	—	—
16G5-F16L	1" Female SAE	1" Female SAE	4.84	122.9	—	—	1.625	41.3	—	—
16KF-F16L	1" Female BSP/ISO Tapered	1" Female BSP/ISO Tapered	4.84	122.9	—	—	1.625	41.3	—	—
16KM-F16L	1" Male BSP/ISO Tapered	1" Male BSP/ISO Tapered	4.52	114.8	2.64	67.1	1.625	41.3	—	—
16M-F16L	1" Male NPT	1" Male NPT	4.52	114.8	2.63	66.8	1.625	41.3	—	—
16L-F16L	1" Seal-Lok®	1" Seal-Lok®	3.83	97.3	2.45	62.2	1.625	41.3	—	—
16TA-F16L	1" Tube Adapter	1" Tube Adapter	5.11	129.8	2.52	64.0	1.625	41.3	—	—
16Z-F16L	1" CPI™ Compression	1" CPI™ Compression	4.63	117.6	2.53	64.3	1.625	41.3	1.500	38.1
M25A-F16L	25mm A-LOK® Compression	25mm A-LOK® Compression	4.74	120.4	2.64	67.1	1.625	41.3	1.496	38.0
M25Z-F16L	25mm CPI™ Compression	25mm CPI™ Compression	4.74	120.4	2.64	67.1	1.625	41.3	1.496	38.0
16M16A-F16L	1" Male NPT	1" A-LOK® Compression	4.57	116.1	2.58	65.5	1.625	41.3	1.500	38.1
16M16F-F16L	1" Male NPT	1" Female NPT	4.69	119.1	3.74	95.0	1.625	41.3	—	—
16M16Z-F16L	1" Male NPT	1" CPI™ Compression	4.57	116.1	2.58	65.5	1.625	41.3	1.500	38.1

Note: Optional wire cloth filter elements may slightly alter dimensions A and B on filters with combination end connections.

†For CPI™ and A-Lok®: Dimensions are measured with nuts in the finger tight position.

How to Order

Dimensions in inches (millimeters) are for reference only, subject to change.

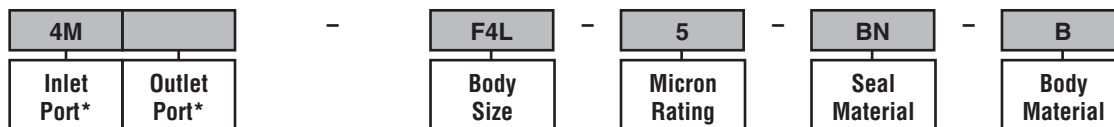
The correct part number is easily derived from the following example and ordering chart. The six product characteristics required are coded as shown in the chart.

Example 1 below describes an F Series Inline Filter with 1/4" male NPT inlet and outlet ports, a 5 micron element, Nitrile seal and brass body construction.

Example 2 below describes an F Series Inline Filter with a 1" male NPT inlet port and a 1" A-LOK® outlet port, a 10 micron element, neoprene seal and stainless steel body construction.

Example 1: 4M-F4L-5-BN-B (shown in the part number blocks below)

Example 2: 16M16A-F16L-10-NE-SS



Inlet Port*				Outlet Port*				Body Size	Micron Rating	Seal Material	Body Material
2A	2G5	2M	M3A	2A	2G5	2M	M3A	F2L	1 micron	Blank	Brass
2F	2KF	2TA	M3Z	2F	2KF	2TA	M3Z		5 micron		SS 316
2F5	2KM	2Z		2F5	2KM	2Z			10 micron	BN	Stainless Steel
4A	4KF	4Q	M6A	4A	4KF	4Q	M6A	F4L	50 micron	EPR	
4F	4KM	4TA	M6Z	4F	4KM	4TA	M6Z		100 micron		
4F5	4L	4V		4F5	4L	4V			250 micron		
4G5	4M	4Z		4G5	4M	4Z			450 micron	NE	
6A	6KF	6Q	M8Z	6A	6KF	6Q	M8Z	F6L			
6F	6KM	6TA	M10A	6F	6KM	6TA	M10A			T**	
6F5	6L	6Z	M10Z	6F5	6L	6Z	M10Z			KZ	
6G5	6M	M8A		6G5	6M	M8A					
8A	8KF	8Q	M12A	8A	8KF	8Q	M12A	F8L			
8F	8KM	8TA	M12Z	8F	8KM	8TA	M12Z				
8F5	8L	8V		8F5	8L	8V					
8G5	8M	8Z		8G5	8M	8Z					
12A	12KF	12Q	M20A	12A	12KF	12Q	M20A	F12L			
12F	12KM	12TA	M20Z	12F	12KM	12TA	M20Z				
12F5	12L	12V	M22A	12F5	12L	12V	M22A				
12G5	12M	12Z	M22Z	12G5	12M	12Z	M22Z				
16A	16G5	16L	16Z	16A	16G5	16L	16Z	F16L			
16F	16KF	16M	M25A	16F	16KF	16M	M25A				
16F5	16KM	16TA	M25Z	16F5	16KM	16TA	M25Z				

** Only available with stainless steel filters.

*If the inlet and outlet ports are the same, eliminate the outlet port designator.

Options

Oxygen Cleaning – Add the suffix **-C3** to the end of the part number to receive filters cleaned and assembled for oxygen service in accordance with Parker specification ES8003. **Example:** 4A-F4L-10-V-SS-C3

Laser Weld – Add the suffix **-LW** to the end of the part number to receive tamper-resistant stainless steel filters. **Example:** 2M-F2L-5-SS-LW

Kit Information

To order repair kits for the F Series Inline Filters simply fill in the designators from the chart below.

Size	Micron Rating	Seat Material
F2	1 micron	V Fluorocarbon Rubber
F4	5 micron	BN Nitrile Rubber
F6	10 micron	EPR Ethylene Propylene Rubber
F8	50 micron	NE Neoprene Rubber
F12	100 micron	T PTFE
F16	250 micron	KZ Highly Fluorinated Fluorocarbon

Examples: KIT-F8-10-V, KIT-F16-100-BN



Filter Kits Contain: Molded Seal, Filter Element, Guide Ring, Spring and Maintenance Instructions

F Caution: When interchanging sintered metal elements with wire cloth filter elements, the flow direction is reversed.

Introduction

Parker FT Series Tee Filters are designed for protection of instrumentation systems from undesirable materials. Component changes or repair and maintenance can admit dirt, chips, or other contaminants to the small bore tubing.

Features

- ▶ Filter element replacement achievable without removing filter from installation
- ▶ Compact, high strength forged body design with effective filtration areas of:
 - FT4 – 1.57 sq in (1013 sq mm)
 - FT8 – 2.53 sq in (1632 sq mm)
- ▶ Stainless steel and brass construction
- ▶ Standard sintered metal micron ratings: 1, 5, 10, 50, and 100
- ▶ Optional 250 and 450 micron wire cloth filter elements
- ▶ Optional bypass enables a continuous self cleaning flow around the element
- ▶ Port connections include male and female NPT, CPI™, A-LOK®, UltraSeal, and VacuSeal

Specifications

• Pressure Ratings:

With Elastomeric and Metallic Seals:

Stainless Steel6000 psig (414 bar) CWP

Brass.....2000 psig (138 bar) CWP

With PTFE Seals:

Stainless Steel4000 psig (276 bar) CWP

Brass.....2000 psig (138 bar) CWP

Pressure Rating and Tubing Selection:

For working pressures of A-LOK® and CPI™ tube connections, please see the Instrument Tubing Selection Guide (Bulletin 4200-TS), found in the Technical Section of the Parker Instrumentation Process Control Binder, or the Parker Instrument Tube Fitting Installation Manual (Bulletin 4200-B4).

For working pressures of valves with external or internal pipe threads, please see Catalog 4260, Instrumentation Pipe Fittings.

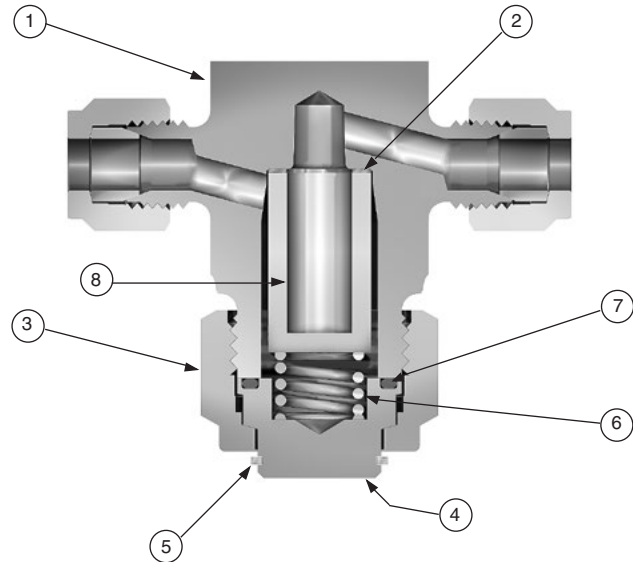
Definitions

Filter Element – The component within the filter which captures media contamination.

Filtration Area – The surface area of the filter element available to capture contamination.

Micron – A unit of measure used to indicate the mean pore diameter of the filter element or the mean particle diameter of media contamination.

One micron = 0.00004 inch or 0.0010 mm



Model Shown: 4Z-FT4-10-BN-SS

Materials of Construction

Item #	Part	Stainless Steel Filter	Brass Filter
1	Body	ASTM A182, Type F316	ASTM B283, Alloy C37700
2	Washer	316 Stainless Steel	
3	Nut	ASTM A479, Type 316	ASTM B16, Alloy C36000
4	Cap	ASTM A479, Type 316	ASTM B16, Alloy C36000
5	Retainer Ring	PH 15-7 Mo Stainless Steel	
6	Spring	316 Stainless Steel	
7	Seal	Fluorocarbon Rubber	
8	Element	316 Stainless Steel	

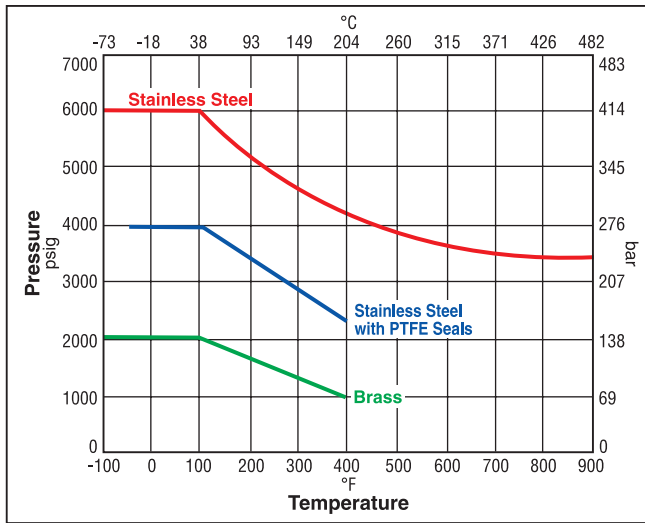
* Optional seal materials are available. See [How to Order](#) section.
Lubrication: Perfluorinated Polyether.

Installation

Best installation practice is to orient the cap downward. This helps to prevent contaminants from entering the system during element change.

Pressure vs. Temperature

Nitrile Seat



Note: This Pressure versus Temperature chart reflects the maximum temperature range of indicated body materials.

The temperature rating of the seal becomes the limiting factor on temperature range.

Temperature Ratings:

- Nitrile Rubber..... -40°F to 275°F (-40°C to 135°C)
- Highly Fluorinated Fluorocarbon Rubber
..... -20°F to 500°F (-29°C to 260°C)
- Ethylene Propylene Rubber
..... -70°F to 300°F (-57°C to 149°C)
- Fluorocarbon Rubber..... -40°F to 400°F (-40°C to 204°C)
- Neoprene Rubber..... -65°F to 300°F (-54°C to 149°C)
- Silver Plated Nickel Alloy Gasket (C-ring)
..... -100°F to 900°F (-73°C to 482°C)
- PTFE -70°F to 400°F (-56°C to 204°C)

Note: To determine MPa, multiply bar by 0.1

Flow Calculations with 100 psig (7 bar) Inlet Pressure

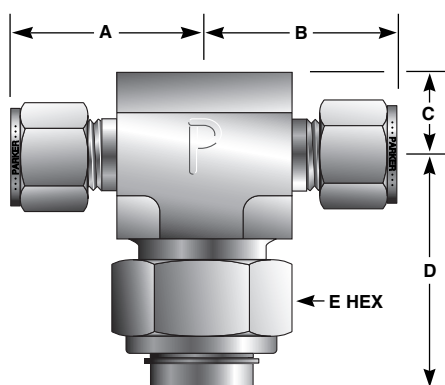
Pressure Drop		FT4				FT8			
ΔP psig	ΔP bar	Water gpm at 60°F (16°C)	Water m³/hr at 60°F (16°C)	Air SCFM at 60°F (16°C)	Air m³/hr at 60°F (16°C)	Water gpm at 60°F (16°C)	Water m³/hr at 60°F (16°C)	Air SCFM at 60°F (16°C)	Air m³/hr at 60°F (16°C)
		1 Micron				1 Micron			
5	0.35	0.16	0.04	1.69	2.68	0.28	0.06	2.89	4.58
10	0.69	0.23	0.05	2.35	3.72	0.39	0.09	4.02	6.36
50	3.45	0.51	0.12	4.63	7.18	0.87	0.20	7.91	12.26
		5 Micron				5 Micron			
5	0.35	0.35	0.08	3.68	5.84	0.77	0.17	8.05	12.76
10	0.69	0.50	0.11	5.13	8.12	1.08	0.25	11.21	17.74
50	3.45	1.11	0.25	10.10	15.65	2.43	0.55	22.07	34.19
		10 Micron				10 Micron			
5	0.35	0.44	0.10	4.57	7.26	0.94	0.21	9.90	15.70
10	0.69	0.62	0.14	6.37	10.09	1.33	0.30	13.79	21.83
50	3.45	1.38	0.31	12.55	19.44	2.98	0.68	27.15	42.07
		50 Micron				50 Micron			
5	0.35	0.52	0.12	5.42	8.59	0.99	0.23	10.42	16.52
10	0.69	0.73	0.17	7.55	11.95	1.40	0.32	14.51	22.97
50	3.45	1.63	0.37	14.86	23.03	3.14	0.71	28.57	44.26
		100 Micron				100 Micron			
5	0.35	0.65	0.15	6.78	10.75	1.64	0.37	17.22	27.31
10	0.69	0.91	0.21	9.45	14.95	2.32	0.53	23.99	37.97
50	3.45	2.04	0.46	18.60	28.81	5.19	1.18	47.23	73.17
		250 Micron				250 Micron			
5	0.35	1.14	0.26	11.94	18.92	1.74	0.40	18.22	28.88
10	0.69	1.62	0.37	16.56	26.17	2.47	0.56	25.28	39.95
50	3.45	3.61	0.82	31.30	48.07	5.52	1.25	47.78	73.37
		450 Micron				450 Micron			
5	0.35	1.23	0.28	12.84	20.35	1.88	0.43	19.64	31.13
10	0.69	1.74	0.39	17.82	28.17	2.66	0.60	27.27	43.10
50	3.45	3.88	0.88	33.92	52.16	5.94	1.35	51.89	79.81

Flow / Filter Data

Filter Series	Effective Filtration Area		C_V^*						
			1 Micron	5 Micron	10 Micron	50 Micron	100 Micron	250 Micron	450 Micron
	sq in	sq mm	Micron Range .5 to 3	Micron Range 5 to 10	Micron Range 10 to 20	Micron Range 40 to 50	Micron Range 100 to 150	Micron Range 225 to 275	Micron Range 400 to 500
FT4	1.57	1012	0.072	0.157	0.195	0.231	0.289	0.511	0.549
FT8	2.53	1632	0.123	0.343	0.422	0.444	0.734	0.780	0.840

* Tested in accordance with ISA S75.02. Gas flow will be choked when $P_1 - P_2 / P_1 = x_T$.
 $x_T = 1.0$ for micron sizes 1 through 100; 0.78 for the 250 micron size, and 0.81 for the 450 micron size.

Dimensions



Model Shown: 4Z-FT4-10-BN-SS

Dimensions in inches (millimeters) are for reference only, subject to change.

Basic Part Number	End Connections		Dimensions Inches (mm)				
	Port 1	Port 2	A†	B†	C	D	E
2A-FT4	1/8" A-LOK®		1.14	1.14	0.51 (13.0)	1.53 (38.9)	0.88 (22.4)
2Z-FT4	1/8" CPI™		(29.0)	(29.0)			
2F-FT4	1/8" Female NPT		1.00	1.00			
2M-FT4	1/8" Male NPT		(25.4)	(25.4)			
4A-FT4	1/4" A-LOK®		1.00	1.00			
4Z-FT4	1/4" CPI™		(25.4)	(25.4)			
4F-FT4	1/4" Female NPT		1.06	1.06			
4M-FT4	1/4" Male NPT		(26.9)	(26.9)			
4Q-FT4	1/4" UltraSeal		1.09	1.09			
4V-FT4	1/4" VacuSeal		(27.7)	(27.7)			
M6A-FT4	6mm A-LOK®		1.20	1.20	0.59 (15.0)	1.71 (43.4)	1.25 (31.8)
M6Z-FT4	6mm CPI™		(30.5)	(30.5)			
6A-FT8	3/8" A-LOK®		1.23	1.23			
6Z-FT8	3/8" CPI™		(31.2)	(31.2)			
6M-FT8	3/8" Male NPT		1.42	1.42			
8A-FT8	1/2" A-LOK®		(36.1)	(36.1)			
8Z-FT8	1/2" CPI™		1.19	1.19			
8F-FT8	1/2" Female NPT		(30.2)	(30.2)			
8M-FT8	1/2" Male NPT		1.48	1.48			
8V-FT8	1/2" VacuSeal		(37.6)	(37.6)			
M8A-FT8	8mm A-LOK®		1.38	1.38	0.59 (15.0)	1.71 (43.4)	1.25 (31.8)
M8Z-FT8	8mm CPI™		(35.1)	(35.1)			
M10A-FT8	10mm A-LOK®		1.33	1.33			
M10Z-FT8	10mm CPI™		(33.8)	(33.8)			
M12A-FT8	12mm A-LOK®		1.44	1.44			
M12Z-FT8	12mm CPI™		(36.6)	(36.6)			

†For CPI™ and A-Lok®: Dimensions are measured with nuts in the finger tight position.

Maximum Pressure Differential Across Clean Filters at 70°F (21°C)

	1 micron	5 micron	10 micron	50 micron	100 micron	250 micron	450 micron
psig	2250	1950	1750	1150	1000	1000	1000
bar	155	134	120	79	69	69	69

How to Order

Dimensions in inches (millimeters) are for reference only, subject to change.

The correct part number is easily derived from the following example and ordering chart. The six product characteristics required are coded as shown in the chart.

The example below describes an FT Series Filter with 1/4" male NPT inlet and outlet ports, a 5 micron element, Nitrile seal and brass body construction.

Example: 4M-FT4-5-BN-B

4M				-				FT4				-				5				-				BN				-				B			
Inlet Port*				Outlet Port*				Valve Series				Micron Rating				Seal Material				Body Material															
Inlet Port*				Outlet Port*				Valve Series				Micron Rating				Seal Material				Body Material															
2A	4A	4Q	4Z	2A	4A	4Q	4Z	FT4				1 micron	Blank	Fluorocarbon Rubber				B	Brass																
2F	4F	4V	M6A	2F	4F	4V	M6A					5 micron	BN	Nitrile Rubber				SS	316																
2M	4M	4W	M6Z	2M	4M	4W	M6Z					10 micron	EPR	Ethylene Propylene Rubber					Stainless Steel																
2Z				2Z								50 micron																							
												100 micron	NE	Neoprene Rubber																					
6A	8M	M8A	M10Z	6A	8M	M8A	M10Z	FT8				250 micron	KZ	Highly Fluorinated Fluorocarbon Rubber																					
6M	8V	M8Z	M12A	6M	8V	M8Z	M12A					450 micron	HT	Silver Plated Nickel Alloy C-Ring																					
8A	8Z	M10A	M12Z	8A	8Z	M10A	M12Z						T	PTFE																					

*If the inlet and outlet ports are the same, eliminate the outlet port designator.

Options

Oxygen Cleaning – Add the suffix **-C3** to the end of the part number to receive filters cleaned and assembled for oxygen service in accordance with Parker specification ES8003. **Example:** 4A-FT4-10-V-SS-C3

Bypass – Add the suffix **-PB** to the end of the part number to receive a 1/8" -27 FNPT tapped Cap for sampling. **Example:** 2M-FT4-5-V-SS-PB

Integral Compression Ported Bypass Option – Add the suffix **-PBA** (A-LOK®) or **-PBZ** (CPI™) to the end of the part number to receive a 4Z/4A (FT4) or 6A/6Z (FT8) compression ported Cap. **Example:** 2M-FT4-5-V-SS-PBZ

Kit Information

To order repair kits for the FT Series Filters, simply fill in the designators from the chart below.

Size	Micron Rating	Seal Material	
FT4	1 micron	V	Fluorocarbon Rubber
FT8	5 micron	BN	Nitrile Rubber
	10 micron	EPR	Ethylene Propylene Rubber
	50 micron	NE	Neoprene Rubber
	100 micron	KZ	Highly Fluorinated Fluorocarbon
	250 micron	HT	Silver PLated Nickel Alloy C-Ring
	450 micron		

Examples: KIT-FT4-10-V, KIT-FT8-100-BN

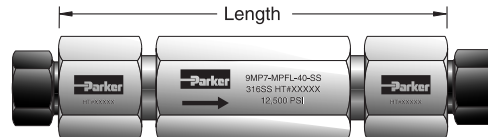
Filter Kits Contain: Seals, Filter Element, Spring and Maintenance Instructions.

Caution: When interchanging sintered metal elements with wire cloth filter elements, the flow direction is reversed.

MPF Series Filters

Parker MPF series filters utilize sintered stainless steel filter discs to trap particles from 0.5 to 100 micron sizes. Inline filters help protect valuable equipment in the process line.

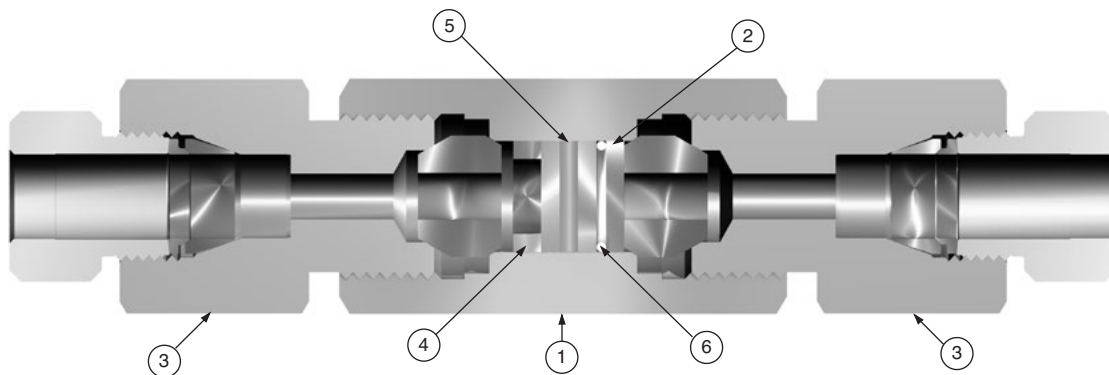
Inline Filters



Dimensions in inches (millimeters) are for reference only, subject to change.

Tubing	Parker Part Number	Pressure psi	Connection	Orifice Inch	Length Inch	Thickness Inch	Filter Micron Size Available					
							0.50	2	5	10	40	100
1/4" O.D.	4MP7-MPFL-100-SS	15,000	1/4" MPI	0.125	5.25	1.38	*	*	*	*	*	*
3/8" O.D.	6MP7-MPFL-100-SS	15,000	3/8" MPI	0.219	5.25	1.38	*	*	*	*	*	*
1/2" O.D.	8MP7-MPFL-100-SS	15,000	1/2" MPI	0.359	5.25	1.38	*	*	*	*	*	*
9/16" O.D.	9MP7-MPFL-100-SS	15,000	9/16" MPI	0.359	5.25	1.38	*	*	*	*	*	*

MPF



Materials of Construction

Item #	Part	Material
1	Cap	316SS
2	Sealing	316SS
3	Body	316SS
4	Spacer	316SS
5	100 Micron Filter Disc	316SS
6	O-ring	PTFE

Introduction

Parker RH4 Relief Valves are designed such that when the upstream pressure exceeds the closing force exerted by the spring, the lower stem opens, permitting flow through the valve. Flow through the valve increases proportionately to the increase in upstream pressure.

Features

- ▶ Pressure settings are externally adjustable while the valve is in operation. Eight different spring ranges provide greater system sensitivity and enhanced performance.
- ▶ Captured molded seat design is blow-out and chip resistant.
- ▶ Manual Override option with positive stem retraction is available for pressures up to 1500 psig (103 bar). This option permits the user to relieve upstream pressure while maintaining the predetermined cracking pressure.
- ▶ Color coded springs and labels indicate spring cracking range.
- ▶ Lock wire feature secures a given pressure setting.

Specifications

Working Pressure:

Up to 6000 psig (414 bar) CWP.

Up to 8000 psig (552 bar) during relief with no internal seal damage.

Cracking Pressure:

Eight springs, from 50 psig to 6000 psig in the following ranges:

50-350 psig (3.4-24.1 bar)	350-750 psig (24.1-51.7 bar)	750-1500 psig (51.7-103.4 bar)
1500-2250 psig (103.4-155.1 bar)	2250-3000 psig (155.1-206.8 bar)	3000-4000 psig (206.8-275.8 bar)
4000-5000 psig (275.8-344.7 bar)	5000-6000 psig (344.7-413.7 bar)	

Temperature Rating:

Nitrile Rubber.....-30°F to +225°F (-34°C to +107°C)

Highly Fluorinated Fluorocarbon Rubber

.....-20°F to +200°F (-29°C to +93°C)

Ethylene Propylene Rubber

.....-70°F to +275°F (-57°C to +135°C)

Fluorocarbon Rubber ..-10°F to +400°F (-23°C to +204°C)

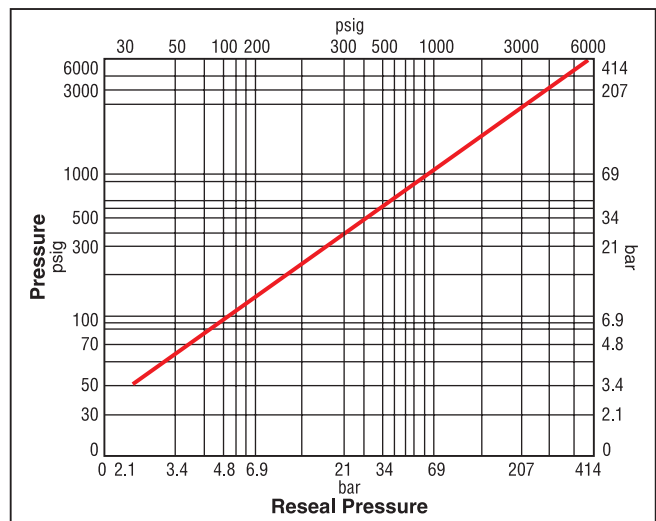
Neoprene Rubber-45°F to +250°F (-43°C to +121°C)

RH4

Flow Calculations

Inlet Pressure		Pressure Drop ΔP		Water @ 60°F (16°C)		Air @ 60°F (16°C)	
psig	bar	psig	bar	gpm	m ³ /hr	SCFM	m ³ /hr
100	7	1	0.1	0.4	0.1	4.3	7.0
		10	0.7	1.3	0.3	13.2	21.0
		50	3.5	2.9	0.7	24.2	37.3
1000	69	10	0.7	1.3	0.3	40.9	69.0
		100	6.9	4.1	0.9	123.5	208.4
		500	34.5	9.2	2.1	219.1	368.6
3000	207	100	6.9	4.1	0.9	220.1	373.5
		1000	69.0	13.0	2.9	590.8	1002.4
		1500	103.4	15.9	3.6	652.1	1105.7
6000	413	1000	69.0	13.0	2.9	916.8	1556.2
		2000	137.9	18.3	4.2	1179.7	2001.3
		3000	206.8	22.5	5.1	1301.6	2207.0

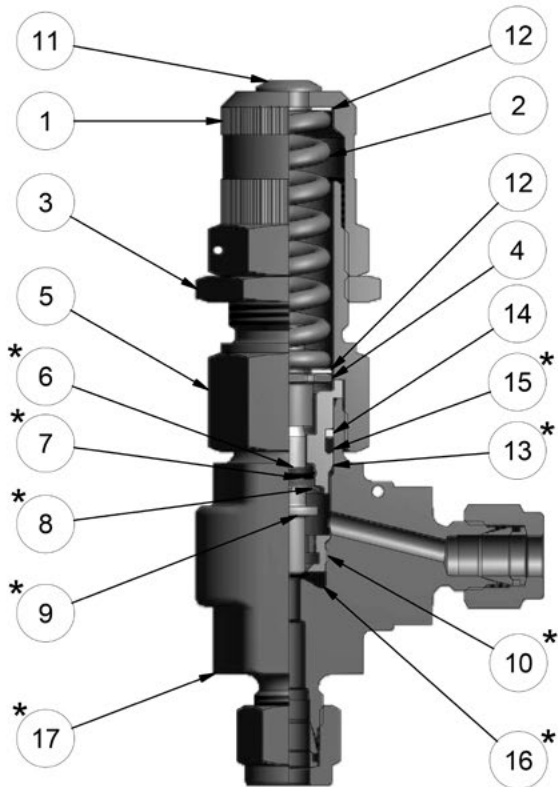
Crack Pressure vs. Reseal Pressure



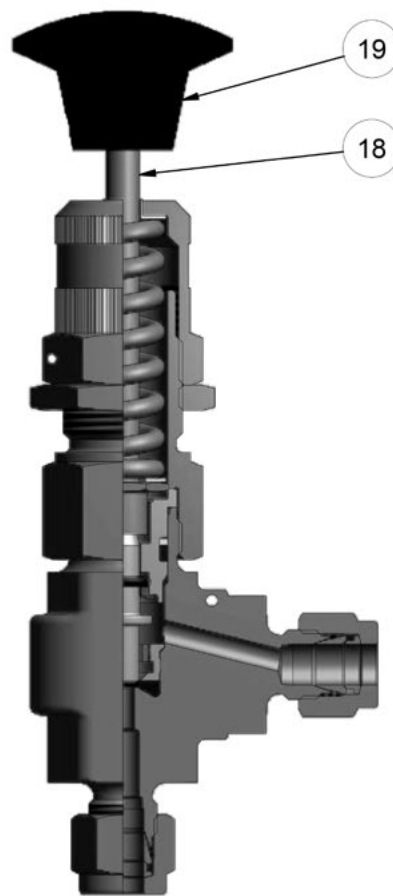
Note: Valves which are not actuated for a period of time may initially crack at higher than set crack pressures.

Note: To determine MPa, multiply bar by 0.1

Materials of Construction



Model Shown: 4A-RH4A-BNT-SS-K1



Model Shown: 4A-RH4A-VT-SS-MN-K2

RH4

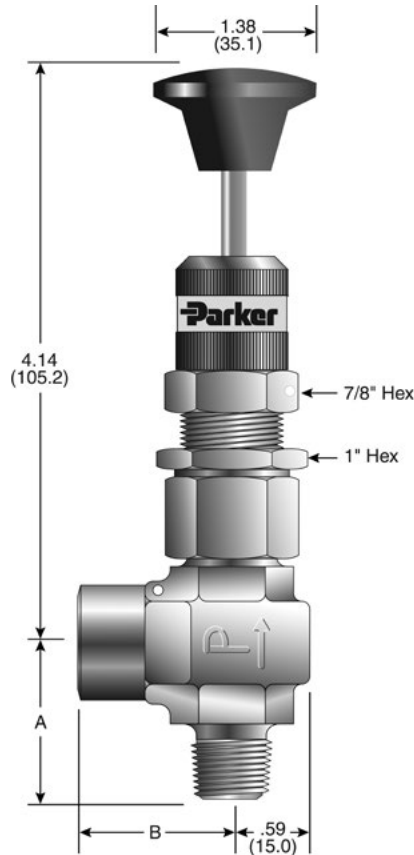
Item #	Part	Material
1	Cap	ASTM A 479, Type 316
2	Spring	17-7 Stainless Steel
3	Locknut	316 Stainless Steel
4	Upper Stem	ASTM A 479, Type 316
5	Bonnet	ASTM A 479, Type 316
*6	Stem Seal	**Fluorocarbon Rubber
*7	Stem Back-up Ring	CTFE
*8	Push On Ring	PH 15-7MO Stainless Steel
*9	Lower Stem	ASTM A 479, Type 316
*10	Seat Retainer	ASTM A 479, Type 316
11	Plug	Zinc Plated Steel
12	Washer	PTFE
*13	Stem Guide	ASTM A 479, Type 316
14	Back-up Ring	PTFE
*15	Body Seal	**Fluorocarbon Rubber
*16	Seat	**Fluorocarbon Rubber
*17	Valve Body	ASTM A 182, Type F316
18	Handle Stem	ASTM A 479, Type 316
19	Handle	Phenolic

* Wetted Parts

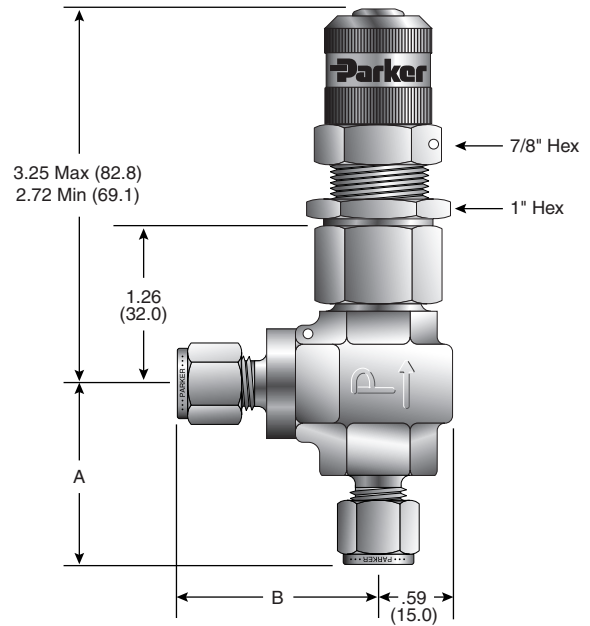
** Optional seat and seal materials are located in [How to Order section](#).

Lubrication: Perfluorinated polyether.

Dimensions / Flow Data



Model Shown:
4M4F-RH4A-VT-SS-MN-K2



Model Shown:
4A-RH4A-BNT-SS-K1

Dimensions in inches (millimeters) are for reference only, subject to change.

Basic Part Number	End Connections		Flow Data				Dimensions †			
	(Inlet) Port 1	(Outlet) Port 2	Orifice		C_v	X_T^*	A		B	
			Inch	mm			inch	mm	inch	mm
4A-RH4A	1/4" A-LOK® Compression	1/4" A-LOK® Compression	0.14	3.6	0.41	0.67	1.44	36.6	1.60	40.6
4Z-RH4A	1/4" CPI™ Compression	1/4" CPI™ Compression					1.44	36.6	1.60	40.6
4M4A-RH4A	1/4" Male NPT	1/4" A-LOK® Compression					1.19	30.2	1.60	40.6
4M4Z-RH4A	1/4" Male NPT	1/4" CPI™ Compression					1.19	30.2	1.60	40.6
4M4F-RH4A	1/4" Male NPT	1/4" Female NPT					1.19	30.2	1.17	29.7
4KF-RH4A	1/4" Female BSP/ISO Tapered	1/4" Female BSP/ISO Tapered					1.19	30.2	1.17	29.7
4KM-RH4A	1/4" Male BSP/ISO Tapered	1/4" Male BSP/ISO Tapered					1.19	30.2	1.17	29.7
M6A-RH4A	6mm A-LOK® Compression	6mm A-LOK® Compression					1.44	36.6	1.60	40.6
M6Z-RH4A	6mm CPI™ Compression	6mm CPI™ Compression					1.44	36.6	1.60	40.6
M8A-RH4A	8mm A-LOK® Compression	8mm A-LOK® Compression					1.44	36.6	1.60	40.6
M8Z-RH4A	8mm CPI™ Compression	8mm CPI™ Compression					1.44	36.6	1.60	40.6

* Tested in accordance with ISA S75.02. Gas flow will be choked when $P_1 - P_2 / P_1 = x_T$.

† For CPI™ and A-LOK®: Dimensions are measured with nuts in the finger tight position.

RH4

How to Order

Dimensions in inches (millimeters) are for reference only, subject to change.

The correct part number is easily derived from the following example and ordering chart. The eight product characteristics required are coded as shown in the chart.

Example 1 below describes an RH4A Series externally adjustable relief valve equipped with 1/4" CPI™ compression inlet and outlet ports, Nitrile seals, PTFE back-up ring, stainless steel construction, and a 3000 to 4000 psig (206.8 to 275.8 bar) spring kit.

Example 2 below describes an RH4A Series externally adjustable relief valve equipped with 1/4" male NPT inlet port, 1/4" female NPT outlet port, ethylene propylene seals, PTFE back-up ring, stainless steel construction, manual override option, and a 50 to 350 psig (3.4 to 24.1 bar) spring kit.

Example 1: 4Z-RH4A-BNT-SS-K6 (shown in the part number blocks below)

Example 2: 4M4F-RH4A-EPRT-SS-MN-K1

4Z		-	RH4A		-	BN T		-	SS		-	K6			
Inlet Port*		Outlet Port*		Valve Series		Seal Material		Back-Up Rings**		Body Material		Actuation		Spring Kit***	
Inlet Port*	Outlet Port*	Valve Series	Seal Material	Back-Up Rings**	Body Material	Actuation	Spring Kit*** (psig)								
4M	Male NPT	RH4A	V	Fluorocarbon	SS	Blank	K1	50 - 350							
4F	Female NPT		Rubber	T				PTFE	Standard	K2	350 - 750				
4A	A-LOK® Compression		BN	Nitrile Rubber				MN	Manual	K3	750 - 1500				
4Z	CPI™ Compression		EPR	Ethylene Propylene					Override	K4	1500 - 2250				
4KF	Female BSP/ISO		Rubber	NE					K5	2250 - 3000					
4KM	Male BSP/ISO		Neoprene Rubber						K6	3000 - 4000					
M6A	A-LOK® Compression		Highly Fluorinated						K7	4000 - 5000					
M6Z	CPI™ Compression		Fluorocarbon	K8					5000 - 6000						
M8A	A-LOK® Compression		Rubber												
M8Z	CPI™ Compression														

RH4

* If the inlet and outlet ports are the same, eliminate the outlet port designator.

** To order valve with an elastomer back-up ring, eliminate Back-Up Rings code.

*** To order only the valve without a spring kit, eliminate Spring Kit code.

Spring Kits

Kit Part Number	Cracking Pressure Range (psig)	Cracking Pressure Range (bar)	Color Code
KIT-RH4SP-50-350	50-350	3.4-24.1	Gray
KIT-RH4SP-350-750	350-750	24.1-51.7	Red
KIT-RH4SP-750-1500	750-1500	51.7-103.4	Orange
KIT-RH4SP-1500-2250	1500-2250	103.4-155.1	Yellow
KIT-RH4SP-2250-3000	2250-3000	155.1-206.8	Light Green
KIT-RH4SP-3000-4000	3000-4000	206.8-275.8	Light Blue
KIT-RH4SP-4000-5000	4000-5000	275.8-344.7	Violet
KIT-RH4SP-5000-6000	5000-6000	344.7-413.7	Lemon Yellow



Spring Kit Contains:

- Spring
- Coded label
- PTFE washers
- Locking wire / lead seal
- Installation Instructions

Seal Kits

Kit Part Number	Kit Part Number (Manual Override Option)	Seat/Seal Material
KIT-RH4-SLEEVE-VT-SS	KIT-RH4-SLEEVE-MN-VT-SS	Fluorocarbon Rubber
KIT-RH4-SLEEVE-BNT-SS	KIT-RH4-SLEEVE-MN-BNT-SS	Nitrile Rubber
KIT-RH4-SLEEVE-EPRT-SS	KIT-RH4-SLEEVE-MN-EPRT-SS	Ethylene Propylene Rubber
KIT-RH4-SLEEVE-NET-SS	KIT-RH4-SLEEVE-MN-NET-SS	Neoprene Rubber
KIT-RH4-SLEEVE-KZT-SS	KIT-RH4-SLEEVE-MN-KZT-SS	Highly Fluorinated Fluorocarbon Rubber

Seal Kit Contains:

- Stem Cartridge
- Seat
- Maintenance Instructions



Introduction

Parker RL4 Relief Valves are designed such that when the upstream pressure exceeds the closing force exerted by the spring, the lower stem opens, permitting flow through the valve. Flow through the valve increases proportionately to the increase in upstream pressure.

Features

- ▶ Pressure settings are externally adjustable while the valve is in operation. Seven different spring ranges provide greater system sensitivity and enhanced performance.
- ▶ Manual override option with positive stem retraction is available for the full working pressures range. This option permits the user to relieve upstream pressure while maintaining the predetermined cracking pressure.
- ▶ Color coded springs and labels indicate spring cracking range.
- ▶ Back pressure has minimum effect on cracking pressure.
- ▶ Lock wire feature secures a given pressure setting.

Specifications

Working pressure:

Up to 400 psig (28 bar) CWP

Up to 600 psig (41 bar) during relief with no internal seal damage.

Cracking pressure:

Seven springs with the following ranges:

10-25 psig (0.7-1.7 bar)	25-50 psig (1.7-3.4 bar)	50-100 psig (3.4-6.9 bar)
100-150 psig (6.9-10.3 bar)	150-225 psig (10.3-15.5 bar)	225-400 psig (15.5-27.6 bar)
10-225 psig (0.7-15.5 bar)		

Temperature Rating:

Nitrile Rubber..... -30°F to 225°F (-34°C to 107°C)

Highly Fluorinated Fluorocarbon Rubber

..... -20°F to 200°F (-29°C to 93°C)

Ethylene Propylene Rubber

..... -70°F to 275°F (-57°C to 135°C)

Fluorocarbon Rubber..... -10°F to 400°F (-23°C to 204°C)

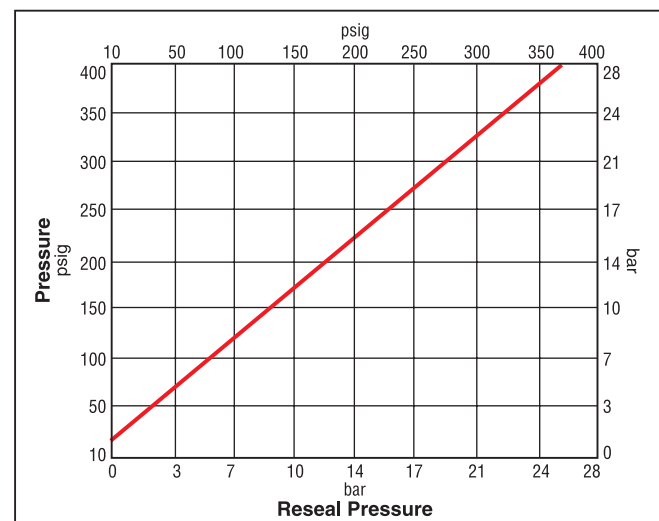
Neoprene Rubber -45°F to 250°F (-43°C to 121°C)

RL4

Flow Calculations

Inlet Pressure		Pressure Drop ΔP		Water @ 60°F (16°C)		Air @ 60°F (16°C)	
psig	bar	psig	bar	gpm	m ³ /hr	SCFM	m ³ /hr
100	6.9	1	0.1	0.8	0.2	8.0	12.7
		10	0.7	2.4	0.5	24.2	38.2
		50	3.4	5.3	1.2	44.7	68.2
200	13.8	10	0.7	2.4	0.5	33.8	55.4
		50	3.4	5.3	1.2	68.7	111.2
		100	6.9	7.5	1.7	85.0	136.8
300	20.7	100	6.9	7.5	1.7	112.2	184.9
		150	10.3	9.2	2.1	125.2	205.0
		200	13.8	10.6	2.4	130.4	212.2
400	27.6	150	10.3	9.2	2.1	153.9	255.1
		200	13.8	10.6	2.4	165.4	273.6
		250	17.2	11.9	2.7	171.1	281.9

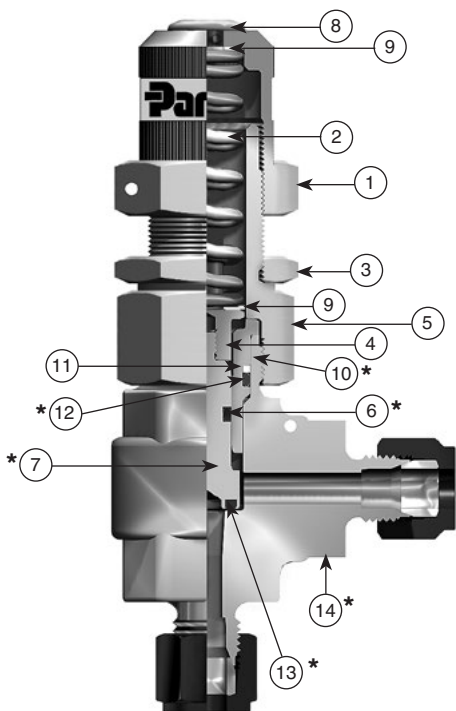
Crack Pressure vs. Reseal Pressure



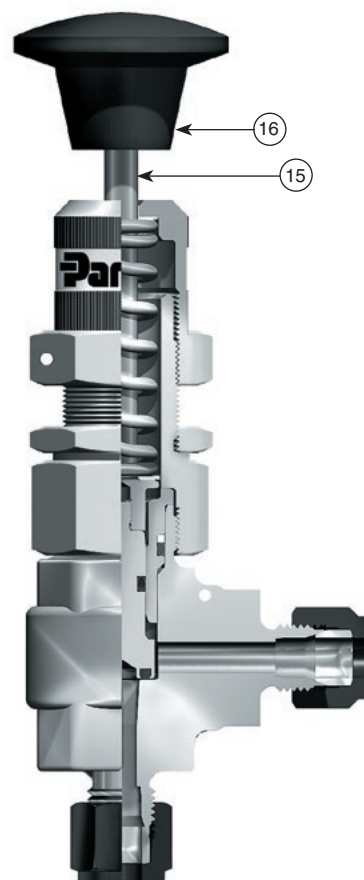
Note: Valves which are not actuated for a period of time may initially crack at higher than set crack pressures.

Note: To determine MPa, multiply bar by 0.1

Materials of Construction



Model Shown: 4Z-RL4A-BNT-SS-KE



Model Shown: 4Z-RL4A-VT-SS-MN-KG

RL4

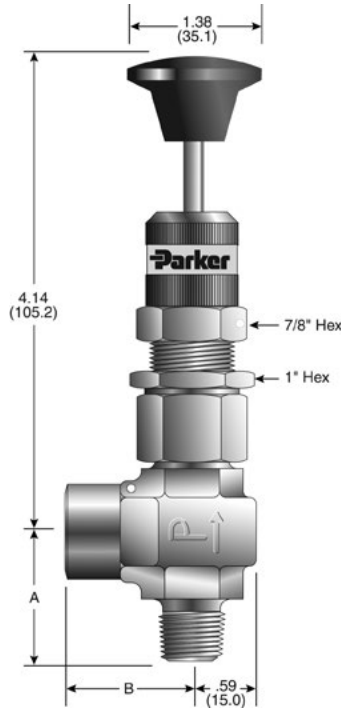
Item #	Part	Material
1	Cap	ASTM A 479, Type 316
2	Spring	17Cr-7Ni Stainless Steel
3	Locknut	316 Stainless Steel
4	Upper Stem	ASTM A 479, Type 316
5	Bonnet	ASTM A 479, Type 316
*6	Stem Seal	**Fluorocarbon Rubber
*7	Lower Stem	ASTM A 479, Type 316
8	Plug	Zinc Plated Steel
9	Washer	PTFE
*10	Stem Guide	ASTM A 479, Type 316
11	Back-up Ring	PTFE
*12	Bonnet Seal	**Fluorocarbon Rubber
*13	Seat	**Fluorocarbon Rubber
*14	Valve Body	ASTM A 182, Type F316
15	Handle Stem	ASTM A 479, Type 316
16	Handle	Phenolic

* Wetted Parts

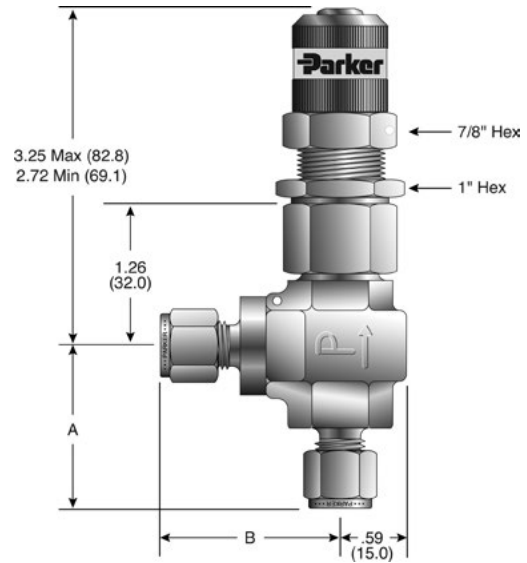
** Optional seat and seal materials are located in [How to Order section](#).

Lubrication: Perfluorinated polyether.

Dimensions and Flow Data



() Denotes dimensions in millimeters



Model Shown: 4M4F-RL4A-VT-SS-MN-KD

Model Shown: 4A-RL4A-BNT-SS-KC

Dimensions in inches (millimeters) are for reference only, subject to change.

RL4

Basic Part Number	End Connections		Flow Data				Dimensions †			
	(Inlet) Port 1	(Outlet) Port 2	Orifice		C_V	X_T^*	A		B	
			Inch	mm			inch	mm	inch	mm
4A-RL4A	1/4" A-LOK® Compression	1/4" A-LOK® Compression	0.203	5.2	0.75	0.70	1.44	36.6	1.60	40.6
4Z-RL4A	1/4" CPI™ Compression	1/4" CPI™ Compression					1.44	36.6	1.60	40.6
4M4A-RL4A	1/4" Male NPT	1/4" A-LOK® Compression					1.19	30.2	1.60	40.6
4M4Z-RL4A	1/4" Male NPT	1/4" CPI™ Compression					1.19	30.2	1.60	40.6
4M4F-RL4A	1/4" Male NPT	1/4" Female NPT					1.19	30.2	1.17	29.7
4KF-RL4A	1/4" Female BSP/ISO Tapered	1/4" Female BSP/ISO Tapered					1.19	30.2	1.17	29.7
4KM-RL4A	1/4" Male BSP/ISO Tapered	1/4" Male BSP/ISO Tapered					1.19	30.2	1.17	29.7
M6A-RL4A	6mm A-LOK® Compression	6mm A-LOK® Compression					1.44	36.6	1.60	40.6
M6Z-RL4A	6mm CPI™ Compression	6mm CPI™ Compression					1.44	36.6	1.60	40.6
M8A-RL4A	8mm A-LOK® Compression	8mm A-LOK® Compression					1.44	36.6	1.60	40.6
M8Z-RL4A	8mm CPI™ Compression	8mm CPI™ Compression	1.44	36.6	1.60	40.6				

* Tested in accordance with ISA S75.02. Gas flow will be choked when $P_1 - P_2 / P_1 = x_T$.

† For CPI™ and A-LOK®: Dimensions are measured with nuts in the finger tight position.

How to Order

Dimensions in inches (millimeters) are for reference only, subject to change.

The correct part number is easily derived from the following example and ordering chart. The eight product characteristics required are coded as shown in the chart.

Example 1 below describes an RL4A Series externally adjustable relief valve equipped with 1/4" CPI™ compression inlet and outlet ports, Nitrile seals, PTFE back-up ring, stainless steel construction, and a 100 to 150 psig (6.9 to 10.3 bar) spring kit.

Example 2 below describes an RL4A Series externally adjustable relief valve equipped with 1/4" male NPT inlet port, 1/4" female NPT outlet port, ethylene propylene seals, PTFE back-up ring, stainless steel construction, manual override option, and a 10 to 225 psig (0.7 to 15.5 bar) spring kit.

Example 1: 4Z-RL4A-BNT-SS-KD (shown in the part number blocks below)

Example 2: 4M4F-RL4A-EPRT-SS-MN-KF

4Z		-	RL4A	-	BN	T	-	SS	-		-	KD	
Inlet Port*	Outlet Port*		Valve Series		Seal Material	Back-Up Rings**		Body Material		Actuation		Spring Kit***	
Inlet Port*	Outlet Port*		Valve Series		Seal Material	Back-Up Rings**		Body Material		Actuation		Spring Kit***	
4M	Male NPT		RL4A	V	Fluorocarbon	T	PTFE	SS	Stainless Steel	Blank	Standard	KA	10 - 25 psig (0.7 - 1.7 bar)
4F	Female NPT				Rubber					MN	Manual Override	KB	25 - 50 psig (1.7 - 3.4 bar)
4A	A-LOK® Compression			BN	Nitrile Rubber							KC	50 - 100 psig (3.4 - 6.9 bar)
4Z	CPI™ Compression			EPR	Ethylene Propylene Rubber							KD	100 - 150 psig (6.9 - 10.3 bar)
4KF	Female BSP/ISO			NE	Neoprene Rubber							KE	150 - 225 psig (10.3 - 15.5 bar)
4KM	Male BSP/ISO			KZ	Highly Fluorinated Fluorocarbon Rubber							KF	10 - 225 psig (0.7 - 15.5 bar)
M6A	A-LOK® Compression											KG	225 - 400 psig (15.5 - 27.6 bar)
M6Z	CPI™ Compression												
M8A	A-LOK® Compression												
M8Z	CPI™ Compression												

* If the inlet and outlet ports are the same, eliminate the outlet port designator.

** To order valve with an elastomer back-up ring, eliminate Back-Up Rings code.

*** To order only the valve without a spring kit, eliminate Spring Kit code.

Spring Kits

Kit Part Number	Cracking Pressure Range (psig)	Cracking Pressure Range (bar)	Color Code
KIT-RL4SP-10-25	10-25	0.7-1.7	Magenta
KIT-RL4SP-25-50	25-50	1.7-3.4	Brown
KIT-RL4SP-50-100	50-100	3.4-6.9	Purple
KIT-RL4SP-100-150	100-150	6.9-10.3	Dark Green
KIT-RL4SP-150-225	150-225	10.3-15.5	Dark Blue
KIT-RL4SP-225-400	225-400	15.5-27.6	White
KIT-RL4SP-10-225	10-225	0.7-15.5	None

Spring Kit Contains:

Spring
Coded label
PTFE washers
Locking wire / lead seal
Installation Instructions



Seal Kits

Kit Part Number	Seat/Seal Material
KIT-RL4-VT	Fluorocarbon Rubber
KIT-RL4-BNT	Nitrile Rubber
KIT-RL4-EPRT	Ethylene Propylene Rubber
KIT-RL4-NET	Neoprene Rubber
KIT-RL4-KZT	Highly Fluorinated Fluorocarbon Rubber

Seal Kit Contains:

Stem Seal
Bonnet Seal
PTFE Back-Up Ring
Lower Stem Assembly
Maintenance Instructions



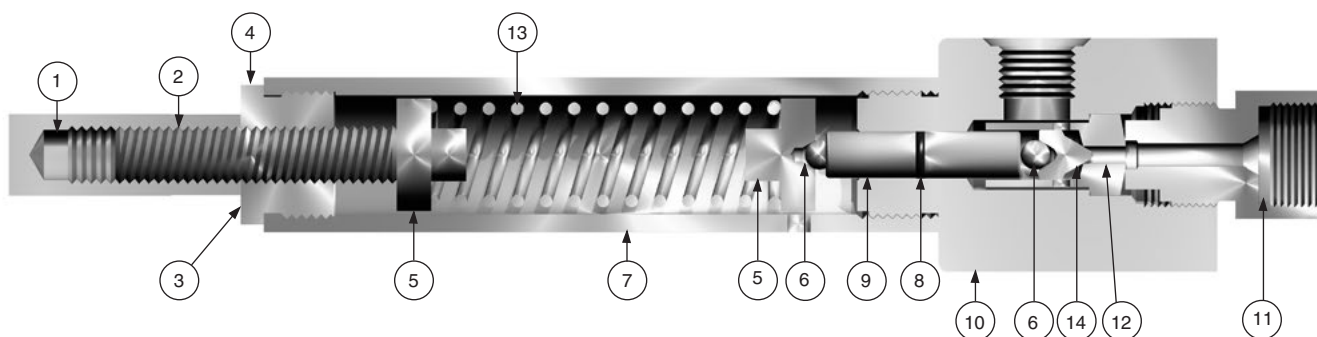
MPR Series Relief Valves

Parker MPR series relief valves are offered in preset pressure relief ranges from 1500 to 20,999 psi. Relief valves are tagged with the proper factory preset pressures.

Relief Valves (Factory Set)

Dimensions in inches (millimeters) are for reference only, subject to change.

Parker Part Number	Pressure Rating psi	Connection	Orifice Inch	Max Flow Capacity GPM
8M8F-MPRA-****-SS	1,500 to 2,999	1/2" M X F NPT	0.250	13
8M8F-MPRA-****-SS	3,000 to 10,999	1/2" M X F NPT	0.250	25
9HF8F-MPRA-****-SS	11,000 to 20,999	9HF X 1/2" NPTF	0.188	20



Materials of Construction

Item #	Qty	Part	Material
1	1	Cap	303SS
2	1	5/8-11 X 3 Soc Set Scr	304SS
3	1	Pressure Rating Tag	300 Ser. SS
4	1	Nut	303SS
5	2	Spring Seat	304SS
6	2	5/16 Ball	316SS
7	1	Spring Housing	304SS
8	1	O-Ring	Fluorocarbon Rubber*
9	1	Stem	17-4PH-H1150
10	1	Body	316SS
11	1	Removable Seat Gland	316SS
12	1	Seal Ring 1500 to 2999	316SS
		Seal Ring 3000 to 10999	316SS
		Seal Ring 11000 to 20999	316SS
13	1	Danly Spring	Steel
14	1	Stem Seat	17-4PH-H900

*Optional Seal Materials

KZ	Highly Fluorinated Fluorocarbon Rubber
BN	Nitrile Rubber
EPR	Ethylene Propylene Rubber

Example: 8M8F-MPRA-10000-KZ-SS

Introduction

Parker BV Series Bleed Valves are designed for use on products such as multi-valve manifolds or gauge/root valves. Functionally, the valve vents line pressure either to atmosphere or to containment when used with the optional barbed vent tube. Generally, bleed valves are used whenever an instrument is removed from a system or to assist in the calibration of control devices. The BV Series is also recommended for use in bleeding hydraulic systems.

Features

- ▶ Available in stainless steel, carbon steel and Alloy N24135
- ▶ Vent tube directs excess gas or liquid from system lines
- ▶ Chrome plated stem provides extended cycle life with improved sealability
- ▶ Positive stop/vent tube design prevents accidental removal of the stem
- ▶ Compact design
- ▶ Wrench actuation
- ▶ Available in a variety of end configurations including male pipe and SAE ports
- ▶ 100% factory tested
- ▶ Barbed vent tube option enables containment of vented media
- ▶ Optional T-bar handle for wrench-less actuation

Specifications

Pressure Rating:

..... 10,000 psig (689 bar) CWP

Temperature Rating:

Stainless Steel..... -65°F to 850°F (-54°C to 454°C)

Carbon Steel..... -20°F to 450°F (-29°C to 232°C)

Alloy N24135 (400)..... -65°F to 500°F (-54°C to 260°C)

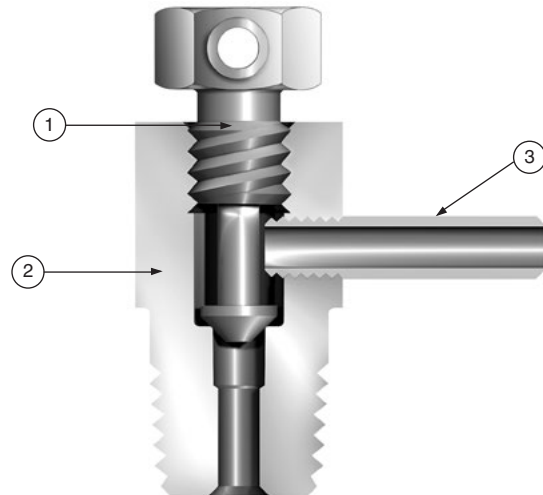
Flow Data

$C_v = 0.13$; $x_T = 0.53$; Orifice = 0.125" (3.2mm).

Tested in accordance with ISA S75.02.

Gas flow will be choked when $P_1 - P_2 / P_1 = x_T$.

Materials of Construction



Model Shown: 4M-BV4-SS

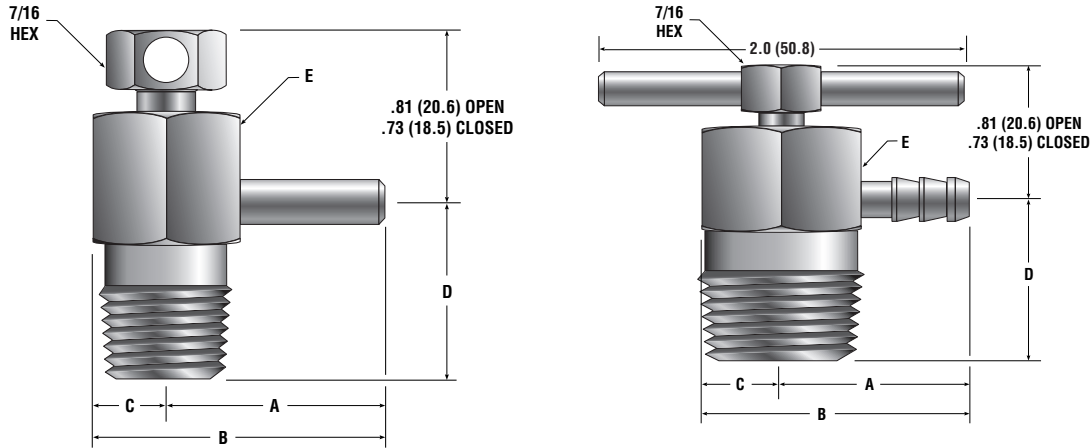
Item #	Part	Stainless Steel	Carbon Steel	Alloy 400
1	Stem	ASTM A479, Type 316		ASTM B164
2	Valve Body	ASTM A479, Type 316	ASTM A108, Grade 12L14	ASTM B164
3	Vent Tube	316 Stainless Steel		ASTM B164

Lubrication: Molybdenum disulfide with soft metallic fillers

Caution

These valves do not have a stem seal. It is imperative to open the valve slowly and direct the vent tube away from persons operating or near the valve. Because of the absence of a stem seal, small amounts of media will flow through the stem thread area when the valves are opened.

Dimensions



() Denotes dimensions in millimeters

Model Shown: 4M-BV4-SS

Model Shown: 8M-BV8-SS-BVT-T

Dimensions in inches (millimeters) are for reference only, subject to change.

Basic Part Number	End Connections		Dimensions									
	(Inlet) Port 1	(Outlet) Port 2	A		B		C		D		E (hex)	
			inch	mm	inch	mm	inch	mm	inch	mm	inch	mm
2M-BV4	1/8" Male NPT	3/16" O.D. Tube Stub	0.94	23.88	1.24	31.50	0.31	7.87	0.75	19.05	0.63	16.00
4M-BV4	1/4" Male NPT		0.94	23.88	1.24	31.50	0.31	7.87	0.75	19.05	0.63	16.00
4KM-BV4	1/4" Male BSP		0.94	23.88	1.24	31.50	0.31	7.87	0.75	19.05	0.63	16.00
4F5-BV4	1/4" Male SAE		0.94	23.88	1.24	31.50	0.31	7.87	0.69	17.53	0.63	16.00
6M-BV8	3/8" Male NPT		1.03	26.16	1.49	37.85	0.44	11.18	0.88	22.35	0.88	22.35
8M-BV8	1/2" Male NPT		1.03	26.16	1.49	37.85	0.44	11.18	0.88	22.35	0.88	22.35
8F5-BV8	1/2" Male SAE		1.03	26.16	1.49	37.85	0.44	11.18	0.88	22.35	0.88	22.35

How to Order

Dimensions in inches (millimeters) are for reference only, subject to change.

The correct part number is easily derived from the following example and ordering chart. The six product characteristics required are coded as shown in the chart.

The example below describes a stainless steel BV4 Bleed Valve with a 1/4" male NPT inlet and a barbed vent tube outlet. It does not have a handle.

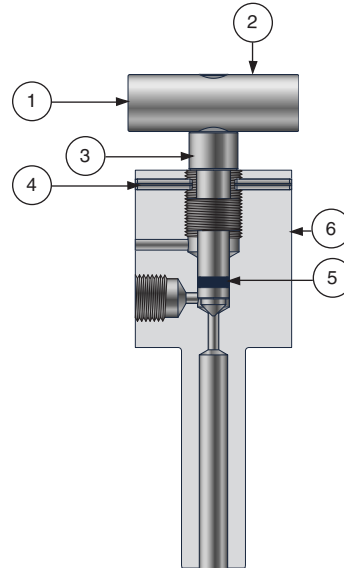
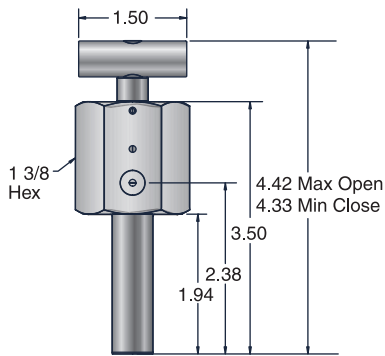
Example: 4M-BV4-SS-BVT

4M	-	BV4	-	SS	-	BVT	-	
End Connection		Valve Series		Material		Vent Selection		Handle Option
End Connection		Valve Series		Material		Vent Selection		Handle Option
2M 4KM 4M 4F5**		BV4		SS Stainless Steel S Carbon Steel M Alloy N24135		Blank Vent Tube BVT Barbed Vent Tube		Blank No Handle T Tee Bar Handle
6M 8M 8F5**		BV8						

* If the inlet and outlet ports are the same, eliminate the outlet port designator.

** Male SAE port will be supplied with a fluorocarbon rubber O-ring by adding O after F5; i.e., 4F5O.

Medium Pressure Bleed Valve



Parker Part No.	PSI	Connection
9T7-MPBV-V-SS	15,000	9/16" Tube Stub
9HM-MPBV-V-SS	30,000	9/16" High Pressure Male

Note: Outlet is 1/8" FNPT

Materials of Construction

Item #	Qty	Description	Material
1	1	Soc Set Screw	300 Ser. SS
2	1	Handle	Aluminum
3	1	Stem	17-4PH-H900
4	2	Rolling Pin	420SS
5	1	O-Ring	Fluorocarbon Rubber
6	1	Body	316SS

Introduction

Parker PG Series Purge Valves may be utilized as either bleed, purge, or drain valves. The compact valve requires only a quarter turn with a wrench from finger-tight to ensure a leak-tight seal on the first make-up. Additional wrenching ensures a leak-tight seal up to the rated pressure.

Features

- ▶ A 0.055 inch (1.4 mm) diameter vent hole in the cap bleeds, drains, or purges system pressure
- ▶ Hex cap permits finger-tight or wrench assisted closure
- ▶ Crimped cap resists accidental disassembly
- ▶ A variety of body styles offers system design flexibility, reduced space requirements, and helps to eliminate leak paths
- ▶ Available in a variety of end configurations including: CPI™, A-LOK®, male and female NPT, SAE, and Tube Adapter connections
- ▶ 100% factory tested
- ▶ Optional PTFE Ball requires only finger-tight torque to achieve a leak-tight seal

Specifications

Temperature Rating:

Stainless Steel.....-65°F to 600°F (-54°C to 316°C)
 Brass-65°F to 400°F (-54°C to 204°C)
 Carbon Steel.....-20°F to 350°F (-29°C to 177°C)
 PTFE Ball Option.....-65°F to 350°F (-54°C to 177°C)

Pressure Rating:

Stainless Steel.....4000 psig (276 bar) CWP
 Brass3000 psig (207 bar)
 Carbon Steel.....3000 psig (207 bar)
 PTFE Ball Option.....200 psig (14 bar)

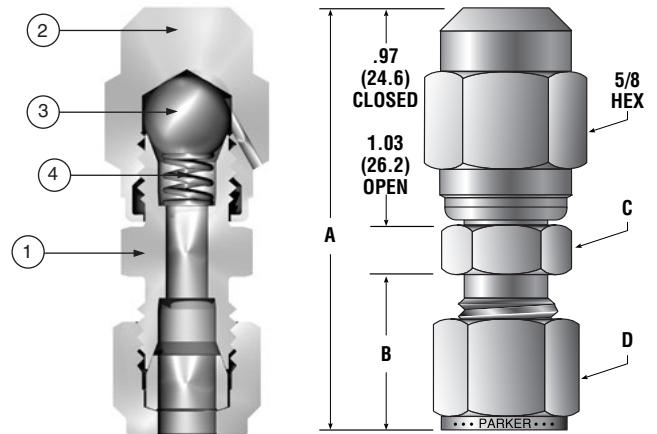
Caution

These valves do not have a cap thread seal. It is imperative to open the valve slowly and direct the vent hole away from persons operating or near the valve. Because of the absence of a cap seal, small amounts of media will flow through the cap thread area when the valves are opened.

PTFE Ball Option

Purge Valves with the PTFE ball option require only finger-tight operation for leak-tight shut-off and are designed with a removable cap for ball replacement.

Materials of Construction and Dimensions



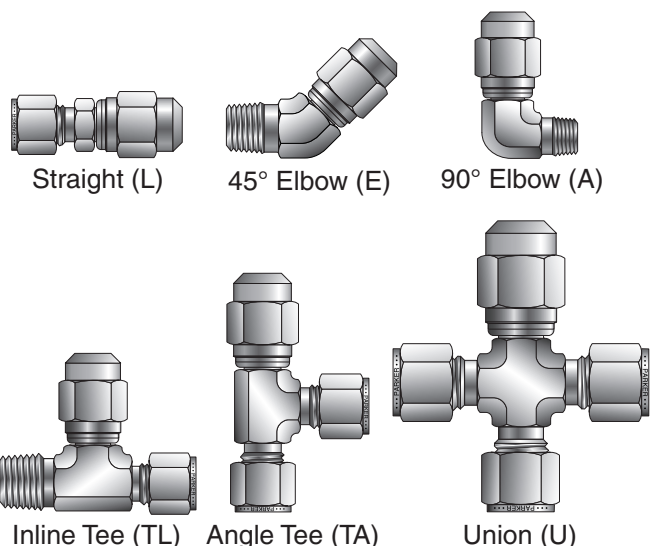
() Denotes dimensions in millimeters

Models Shown: 4Z-PG4L-SS

Item #	Part	Stainless Steel	Carbon Steel	Brass
1	Body	ASTM A479, Type 316	ASTM A108, Grade 12L14	ASTM B16, Alloy C36000
2	Cap	ASTM A479, Type 316	ASTM A108, Grade 12L14	ASTM B16, Alloy C36000
3	Ball	316 Stainless Steel*		
4	Vent Tube	316 Stainless Steel		

*Optional PTFE Ball available
 Lubrication: Molybdenum disulfide with soft metallic fillers

Available Purge Valve Models



PG

Dimensions

Dimensions in inches (millimeters) are for reference only, subject to change.

End Connections		Dimensions							
		A* (Closed)*		B*		C (hex)		D (hex)	
		inch	mm	inch	mm	inch	mm	inch	mm
2A	1/8" A-LOK® Compression	1.79	45.5	0.60	15.2	0.50	12.7	0.44	11.2
2Z	1/8" CPI™ Compression	1.79	45.5	0.60	15.2	0.50	12.7	0.44	11.2
2M	1/8" Male NPT	1.56	39.6	0.38	9.7	0.50	12.7	-	-
2F	1/8" Female NPT	1.50	38.1	0.53	13.5	0.56	14.2	-	-
2TA	1/8" Tube Adapter	1.69	42.9	0.55	14.0	0.50	12.7	-	-
4A	1/4" A-LOK® Compression	1.88	47.8	0.70	17.8	0.50	12.7	0.56	14.2
4Z	1/4" CPI™ Compression	1.88	47.8	0.70	17.8	0.50	12.7	0.56	14.2
4M	1/4" Male NPT	1.76	44.7	0.56	14.2	0.56	14.2	-	-
4F	1/4" Female NPT	1.69	42.9	0.72	18.3	0.75	19.1	-	-
4F5	1/4" Male SAE	1.78	45.2	0.41	10.4	0.75	19.1	-	-
4TA	1/4" Tube Adapter	1.91	48.5	0.72	18.3	0.50	12.7	-	-
6A	3/8" A-LOK® Compression	1.98	50.3	0.76	19.3	0.63	16.0	0.69	17.5
6Z	3/8" CPI™ Compression	1.98	50.3	0.76	19.3	0.63	16.0	0.69	17.5
6M	3/8" Male NPT	1.78	45.2	0.56	14.2	0.69	17.5	-	-
6F	3/8" Female NPT	1.75	44.5	0.78	19.8	0.88	22.4	-	-
6TA	3/8" Tube Adapter	1.97	50.0	0.78	19.8	0.50	12.7	-	-
M6A	6mm A-LOK® Compression	1.88	47.8	0.70	17.8	0.55	14.0	0.55	14.0
M6Z	6mm CPI™ Compression	1.88	47.8	0.70	17.8	0.55	14.0	0.55	14.0
8A	1/2" A-LOK® Compression	2.12	53.8	0.87	22.1	0.81	20.6	0.88	22.4
8Z	1/2" CPI™ Compression	2.12	53.8	0.87	22.1	0.81	20.6	0.88	22.4
8M	1/2" Male NPT	2.03	51.6	0.75	19.1	0.88	22.4	-	-
8F	1/2" Female NPT	1.94	49.3	0.97	24.6	1.06	26.9	-	-
8F5	1/2" Male SAE	2.08	52.8	0.47	11.9	1.13	28.7	-	-
8TA	1/2" Tube Adapter	2.22	56.4	1.03	26.2	0.56	14.2	-	-
M8A	8mm A-LOK® Compression	1.97	50.0	0.75	19.1	0.63	16.0	0.63	16.0
M8Z	8mm CPI™ Compression	1.97	50.0	0.75	19.1	0.63	16.0	0.63	16.0

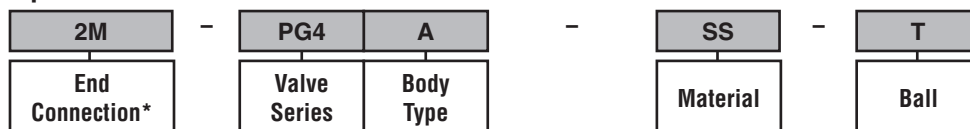
* For CPI™ and A-LOK®, dimensions are measured with nuts in the finger tight position.

How to Order

The correct part number is easily derived from the following example and ordering chart. The seven product characteristics required are coded as shown in the chart.

The example below describes a stainless steel, 90° angle body PG4 Purge Valve with a 1/8" male NPT port configuration and a PTFE Ball.

Example: 2M-PG4A-SS-T



End Connection*				Valve Series	Body Type		Material		Ball		
2A	4A	6A	8A	M6A	PG4	L	Straight	SS	Stainless Steel	Blank	Stainless Steel
2Z	4Z	6F	8F	M6Z		A	90° Elbow		B		Brass
2F	4F	6M	8F5*	M8A		E	45° Elbow	S		Carbon Steel	
2M	4F5**	6TA	8M	M8Z		TL	Tee with Inline Flow				
2TA	4M	6Z	8TA			TA	Tee with Angle Flow				
	4TA		8Z			U	Union				

* If the ports are the same, only specify one end connection.

** Male SAE port will be supplied with a fluorocarbon rubber O-ring by adding O after F5; i.e., 4F5O.

Option

Oxygen Cleaning – Add the suffix **-C3** to the end of the part number to receive valves cleaned for oxygen service per IVD Specification ES8003. **Example:** 2M-PG4A-SS-T-C3

Dimensions in inches (millimeters) are for reference only, subject to change.

Available End Connections

Standard End Connections

A - Two ferrule A-LOK®
compression port



Z - Single ferrule CPI™
compression port



F - ANSI/ASME B1.20.1
internal pipe threads



M - ANSI/ASME B1.20.1
external pipe threads



Non-Standard End Connections

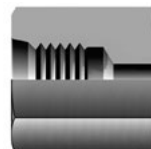
TA - Tube adapter connection



F5 - SAE J1926/2, Part 2:
Heavy-duty (S Series) stud ends



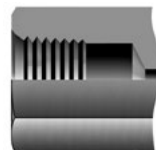
G5 - SAE J1926/1, Part 1:
Threaded port with O-ring seal in
truncated housing



L - SAE J1453, Fitting – O-ring
face seal – External thread with
O-ring groove designed to seal with an
elastomer against a sleeve



KF - British Standard BS 21
(ISO 7-1), Internal pipe threads



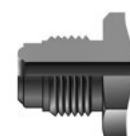
KM - British Standard BS 21
(ISO 7-1), External pipe threads



Q - UltraSeal face seal port



V - VacuSeal face seal port



End
Conn

Offer of Sale

The items described in this document and other documents and descriptions provided by Parker Hannifin Corporation, its subsidiaries and its authorized distributors ("Seller") are hereby offered for sale at prices to be established by Seller. This offer and its acceptance by any customer ("Buyer") shall be governed by all of the following Terms and Conditions. Buyer's order for any item described in its document, when communicated to Seller verbally, or in writing, shall constitute acceptance of this offer. All goods or work described will be referred to as "Products".

1. Terms and Conditions. Seller's willingness to offer Products, or accept an order for Products, to or from Buyer is expressly conditioned on Buyer's assent to these Terms and Conditions and to the terms and conditions found on-line at www.parker.com/saleterms/. Seller objects to any contrary or additional term or condition of Buyer's order or any other document issued by Buyer.

2. Price Adjustments; Payments. Prices stated on the reverse side or preceding pages of this document are valid for 30 days. After 30 days, Seller may change prices to reflect any increase in its costs resulting from state, federal or local legislation, price increases from its suppliers, or any change in the rate, charge, or classification of any carrier. The prices stated on the reverse or preceding pages of this document do not include any sales, use, or other taxes unless so stated specifically. Unless otherwise specified by Seller, all prices are F.O.B. Seller's facility, and payment is due 30 days from the date of invoice. After 30 days, Buyer shall pay interest on any unpaid invoices at the rate of 1.5% per month or the maximum allowable rate under applicable law.

3. Delivery Dates; Title and Risk; Shipment. All delivery dates are approximate and Seller shall not be responsible for any damages resulting from any delay. Regardless of the manner of shipment, title to any products and risk of loss or damage shall pass to Buyer upon tender to the carrier at Seller's facility (i.e., when it's on the truck, it's yours). Unless otherwise stated, Seller may exercise its judgment in choosing the carrier and means of delivery. No deferment of shipment at Buyers' request beyond the respective dates indicated will be made except on terms that will indemnify, defend and hold Seller harmless against all loss and additional expense. Buyer shall be responsible for any additional shipping charges incurred by Seller due to Buyer's changes in shipping, product specifications or in accordance with Section 13, herein.

4. Warranty. Seller warrants that the Products sold hereunder shall be free from defects in material or workmanship for a period of twelve months from the date of delivery to Buyer or 2,000 hours of normal use, whichever occurs first. This warranty is made only to Buyer and does not extend to anyone to whom Products are sold after purchased from Seller. The prices charged for Seller's products are based upon the exclusive limited warranty stated above, and upon the following disclaimer: **DISCLAIMER OF WARRANTY: THIS WARRANTY COMPRISES THE SOLE AND ENTIRE WARRANTY PERTAINING TO PRODUCTS PROVIDED HEREUNDER. SELLER DISCLAIMS ALL OTHER WARRANTIES, EXPRESS AND IMPLIED, INCLUDING MERCHANTABILITY AND FITNESS FOR A PARTICULAR PURPOSE.**

5. Claims; Commencement of Actions. Buyer shall promptly inspect all Products upon delivery. No claims for shortages will be allowed unless reported to the Seller within 10 days of delivery. No other claims against Seller will

be allowed unless asserted in writing within 60 days after delivery or, in the case of an alleged breach of warranty, within 30 days after the date within the warranty period on which the defect is or should have been discovered by Buyer. Any action based upon breach of this agreement or upon any other claim arising out of this sale (other than an action by Seller for any amount due to Seller from Buyer) must be commenced within thirteen months from the date of tender of delivery by Seller or, for a cause of action based upon an alleged breach of warranty, within thirteen months from the date within the warranty period on which the defect is or should have been discovered by Buyer.

6. LIMITATION OF LIABILITY. UPON NOTIFICATION, SELLER WILL, AT ITS OPTION, REPAIR OR REPLACE A DEFECTIVE PRODUCT, OR REFUND THE PURCHASE PRICE. IN NO EVENT SHALL SELLER BE LIABLE TO BUYER FOR ANY SPECIAL, INDIRECT, INCIDENTAL OR CONSEQUENTIAL DAMAGES ARISING OUT OF, OR AS THE RESULT OF, THE SALE, DELIVERY, NON-DELIVERY, SERVICING, USE OR LOSS OF USE OF THE PRODUCTS OR ANY PART THEREOF, OR FOR ANY CHARGES OR EXPENSES OF ANY NATURE INCURRED WITHOUT SELLER'S WRITTEN CONSENT, EVEN IF SELLER HAS BEEN NEGLIGENT, WHETHER IN CONTRACT, TORT OR OTHER LEGAL THEORY. IN NO EVENT SHALL SELLER'S LIABILITY UNDER ANY CLAIM MADE BY BUYER EXCEED THE PURCHASE PRICE OF THE PRODUCTS.

7. Contingencies. Seller shall not be liable for any default or delay in performance if caused by circumstances beyond the reasonable control of Seller.

8. User Responsibility. The user, through its own analysis and testing, is solely responsible for making the final selection of the system and Product and assuring that all performance, endurance, maintenance, safety and warning requirements of the application are met. The user must analyze all aspects of the application and follow applicable industry standards and Product information. If Seller provides Product or system options, the user is responsible for determining that such data and specifications are suitable and sufficient for all applications and reasonably foreseeable uses of the Products or systems.

9. Loss to Buyer's Property. Any designs, tools, patterns, materials, drawings, confidential information or equipment furnished by Buyer or any other items which become Buyer's property, may be considered obsolete and may be destroyed by Seller after two consecutive years have elapsed without Buyer placing an order for the items which are manufactured using such property. Seller shall not be responsible for any loss or damage to such property while it is in Seller's possession or control.

10. Special Tooling. A tooling charge may be imposed for any special tooling, including without limitation, dies, fixtures, molds and patterns, acquired to manufacture Products.

Such special tooling shall be and remain Seller's property notwithstanding payment of any charges by Buyer. In no event will Buyer acquire any interest in apparatus belonging to Seller which is utilized in the manufacture of the Products, even if such apparatus has been specially converted or adapted for such manufacture and notwithstanding any charges paid by Buyer. Unless otherwise agreed, Seller shall have the right to alter, discard or otherwise dispose of any special tooling or other property in its sole discretion at any time.

11. Buyer's Obligation; Rights of Seller. To secure payment of all sums due or otherwise, Seller shall retain a security interest in the goods delivered and this agreement shall be deemed a Security Agreement under the Uniform Commercial Code. Buyer authorizes Seller as its attorney to execute and file on Buyer's behalf all documents Seller deems necessary to perfect its security interest. Seller shall have a security interest in, and lien upon, any property of Buyer in Seller's possession as security for the payment of any amounts owed to Seller by Buyer.

12. Improper use and Indemnity. Buyer shall indemnify, defend, and hold Seller harmless from any claim, liability, damages, lawsuits, and costs (including attorney fees), whether for personal injury, property damage, patent, trademark or copyright infringement or any other claim, brought by or incurred by Buyer, Buyer's employees, or any other person, arising out of: (a) improper selection, improper application or other misuse of Products purchased by Buyer from Seller; (b) any act or omission, negligent or otherwise, of Buyer; (c) Seller's use of patterns, plans, drawings, or specifications furnished by Buyer to manufacture Product; or (d) Buyer's failure to comply with these terms and conditions. Seller shall not indemnify Buyer under any circumstance except as otherwise provided.

13. Cancellations and Changes. Orders shall not be subject to cancellation or change by Buyer for any reason, except with Seller's written consent and upon terms that will indemnify, defend and hold Seller harmless against all direct, incidental and consequential loss or damage. Seller may change product features, specifications, designs and availability with notice to Buyer.

14. Limitation on Assignment. Buyer may not assign its rights or obligations under this agreement without the prior written consent of Seller.

15. Entire Agreement. This agreement contains the entire agreement between the Buyer and Seller and constitutes the final, complete and exclusive expression of the terms of the agreement. All prior or contemporaneous written or oral agreements or negotiations with respect to the subject matter are herein merged.

16. Waiver and Severability. Failure to enforce any provision of this agreement will not waive that provision nor will any such failure prejudice Seller's right to enforce that provision in the future. Invalidation of any provision of this agreement by legislation or other rule of law shall not invalidate any other provision herein. The remaining provisions of this agreement will remain in full force and effect.

17. Termination. This agreement may be terminated by Seller for any reason and at any time by giving Buyer thirty (30) days written notice of termination. In addition, Seller may

by written notice immediately terminate this agreement for the following: (a) Buyer commits a breach of any provision of this agreement (b) the appointment of a trustee, receiver or custodian for all or any part of Buyer's property (c) the filing of a petition for relief in bankruptcy of the other Party on its own behalf, or by a third party (d) an assignment for the benefit of creditors, or (e) the dissolution or liquidation of the Buyer.

18. Governing Law. This agreement and the sale and delivery of all Products hereunder shall be deemed to have taken place in and shall be governed and construed in accordance with the laws of the State of Ohio, as applicable to contracts executed and wholly performed therein and without regard to conflicts of laws principles. Buyer irrevocably agrees and consents to the exclusive jurisdiction and venue of the courts of Cuyahoga County, Ohio with respect to any dispute, controversy or claim arising out of or relating to this agreement. Disputes between the parties shall not be settled by arbitration unless, after a dispute has arisen, both parties expressly agree in writing to arbitrate the dispute.

19. Indemnity for Infringement of Intellectual Property Rights. Seller shall have no liability for infringement of any patents, trademarks, copyrights, trade dress, trade secrets or similar rights except as provided in this Section. Seller will defend and indemnify Buyer against allegations of infringement of U.S. patents, U.S. trademarks, copyrights, trade dress and trade secrets ("Intellectual Property Rights"). Seller will defend at its expense and will pay the cost of any settlement or damages awarded in an action brought against Buyer based on an allegation that a Product sold pursuant to this Agreement infringes the Intellectual Property Rights of a third party. Seller's obligation to defend and indemnify Buyer is contingent on Buyer notifying Seller within ten (10) days after Buyer becomes aware of such allegations of infringement, and Seller having sole control over the defense of any allegations or actions including all negotiations for settlement or compromise. If a Product is subject to a claim that it infringes the Intellectual Property Rights of a third party, Seller may, at its sole expense and option, procure for Buyer the right to continue using the Product, replace or modify the Product so as to make it noninfringing, or offer to accept return of the Product and return the purchase price less a reasonable allowance for depreciation. Notwithstanding the foregoing, Seller shall have no liability for claims of infringement based on information provided by Buyer, or directed to Products delivered hereunder for which the designs are specified in whole or part by Buyer, or infringements resulting from the modification, combination or use in a system of any Product sold hereunder. The foregoing provisions of this Section shall constitute Seller's sole and exclusive liability and Buyer's sole and exclusive remedy for infringement of Intellectual Property Rights.

20. Taxes. Unless otherwise indicated, all prices and charges are exclusive of excise, sales, use, property, occupational or like taxes which may be imposed by any taxing authority upon the manufacture, sale or delivery of Products.

21. Equal Opportunity Clause. For the performance of government contracts and where dollar value of the Products exceed \$10,000, the equal employment opportunity clauses in Executive Order 11246, VEVRAA, and 41 C.F.R. §§ 60-1.4(a), 60-741.5(a), and 60-250.4, are hereby incorporated.

Parker's Motion & Control Technologies

At Parker, we're guided by a relentless drive to help our customers become more productive and achieve higher levels of profitability by engineering the best systems for their requirements. It means looking at customer applications from many angles to find new ways to create value. Whatever the motion and control technology need, Parker has the experience, breadth of product and global reach to consistently deliver. No company knows more about motion and control technology than Parker. For further info call 1-800-C-Parker.



AEROSPACE

Key Markets

- Aircraft engines
- Business & general aviation
- Commercial transports
- Land-based weapons systems
- Military aircraft
- Missiles & launch vehicles
- Regional transports
- Unmanned aerial vehicles

Key Products

- Flight control systems & components
- Fluid conveyance systems
- Fluid metering delivery & atomization devices
- Fuel systems & components
- Hydraulic systems & components
- Inert nitrogen generating systems
- Pneumatic systems & components
- Wheels & brakes



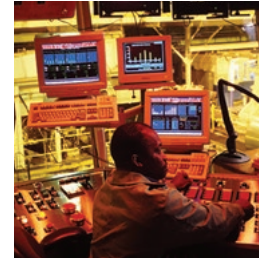
CLIMATE CONTROL

Key Markets

- Agriculture
- Air conditioning
- Food, beverage & dairy
- Life sciences & medical
- Precision cooling
- Processing
- Transportation

Key Products

- CO₂ controls
- Electronic controllers
- Filter driers
- Hand shut-off valves
- Hose & fittings
- Pressure regulating valves
- Refrigerant distributors
- Safety relief valves
- Solenoid valves
- Thermostatic expansion valves



ELECTROMECHANICAL

Key Markets

- Aerospace
- Factory automation
- Life science & medical
- Machine tools
- Packaging machinery
- Paper machinery
- Plastics machinery & converting
- Primary metals
- Semiconductor & electronics
- Textile
- Wire & cable

Key Products

- AC/DC drives & systems
- Electric actuators, gantry robots & slides
- Electrohydraulic actuation systems
- Electromechanical actuation systems
- Human machine interface
- Linear motors
- Stepper motors, servo motors, drives & controls
- Structural extrusions



FILTRATION

Key Markets

- Food & beverage
- Industrial machinery
- Life sciences
- Marine
- Mobile equipment
- Oil & gas
- Power generation
- Process
- Transportation

Key Products

- Analytical gas generators
- Compressed air & gas filters
- Condition monitoring
- Engine air, fuel & oil filtration & systems
- Hydraulic, lubrication & coolant filters
- Process, chemical, water & microfiltration filters
- Nitrogen, hydrogen & zero air generators



FLUID & GAS HANDLING

Key Markets

- Aerospace
- Agriculture
- Bulk chemical handling
- Construction machinery
- Food & beverage
- Fuel & gas delivery
- Industrial machinery
- Mobile
- Oil & gas
- Transportation
- Welding

Key Products

- Brass fittings & valves
- Diagnostic equipment
- Fluid conveyance systems
- Industrial hose
- PTFE & PFA hose, tubing & plastic fittings
- Rubber & thermoplastic hose & couplings
- Tube fittings & adapters
- Quick disconnects



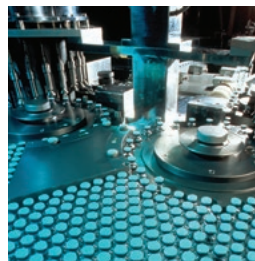
HYDRAULICS

Key Markets

- Aerospace
- Aerial lift
- Agriculture
- Construction machinery
- Forestry
- Industrial machinery
- Mining
- Oil & gas
- Power generation & energy
- Truck hydraulics

Key Products

- Diagnostic equipment
- Hydraulic cylinders & accumulators
- Hydraulic motors & pumps
- Hydraulic systems
- Hydraulic valves & controls
- Power take-offs
- Rubber & thermoplastic hose & couplings
- Tube fittings & adapters
- Quick disconnects



PNEUMATICS

Key Markets

- Aerospace
- Conveyor & material handling
- Factory automation
- Life science & medical
- Machine tools
- Packaging machinery
- Transportation & automotive

Key Products

- Air preparation
- Brass fittings & valves
- Manifolds
- Pneumatic accessories
- Pneumatic actuators & grippers
- Pneumatic valves & controls
- Quick disconnects
- Rotary actuators
- Rubber & thermoplastic hose & couplings
- Structural extrusions
- Thermoplastic tubing & fittings
- Vacuum generators, cups & sensors



PROCESS CONTROL

Key Markets

- Chemical & refining
- Food, beverage & dairy
- Medical & dental
- Microelectronics
- Oil & gas
- Power generation

Key Products

- Analytical sample conditioning products & systems
- Fluoropolymer chemical delivery fittings, valves & pumps
- High purity gas delivery fittings, valves & regulators
- Instrumentation fittings, valves & regulators
- Medium pressure fittings & valves
- Process control manifolds



SEALING & SHIELDING

Key Markets

- Aerospace
- Chemical processing
- Consumer
- Energy, oil & gas
- Fluid power
- General industrial
- Information technology
- Life sciences
- Military
- Semiconductor
- Telecommunications
- Transportation

Key Products

- Dynamic seals
- Elastomeric o-rings
- EMI shielding
- Extruded & precision-cut, fabricated elastomeric seals
- Homogeneous & inserted elastomeric shapes
- High temperature metal seals
- Metal & plastic retained composite seals
- Thermal management



ENGINEERING YOUR SUCCESS.

Parker Worldwide

Europe, Middle East, Africa

AE – United Arab Emirates,
Dubai
Tel: +971 4 8127100
parker.me@parker.com

AT – Austria, Wiener Neustadt
Tel: +43 (0)2622 23501-0
parker.austria@parker.com

AT – Eastern Europe, Wiener
Neustadt
Tel: +43 (0)2622 23501 900
parker.easteurope@parker.com

AZ – Azerbaijan, Baku
Tel: +994 50 2233 458
parker.azerbaijan@parker.com

BE/LU – Belgium, Nivelles
Tel: +32 (0)67 280 900
parker.belgium@parker.com

BG – Bulgaria, Sofia
Tel: +359 2 980 1344
parker.bulgaria@parker.com

BY – Belarus, Minsk
Tel: +375 17 209 9399
parker.belarus@parker.com

CH – Switzerland, Etoy
Tel: +41 (0)21 821 87 00
parker.switzerland@parker.com

CZ – Czech Republic, Klecany
Tel: +420 284 083 111
parker.czechrepublic@parker.com

DE – Germany, Kaarst
Tel: +49 (0)2131 4016 0
parker.germany@parker.com

DK – Denmark, Ballerup
Tel: +45 43 56 04 00
parker.denmark@parker.com

ES – Spain, Madrid
Tel: +34 902 330 001
parker.spain@parker.com

FI – Finland, Vantaa
Tel: +358 (0)20 753 2500
parker.finland@parker.com

FR – France, Contamine s/Arve
Tel: +33 (0)4 50 25 80 25
parker.france@parker.com

GR – Greece, Athens
Tel: +30 210 933 6450
parker.greece@parker.com

HU – Hungary, Budaörs
Tel: +36 23 885 470
parker.hungary@parker.com

IE – Ireland, Dublin
Tel: +353 (0)1 466 6370
parker.ireland@parker.com

IT – Italy, Corsico (MI)
Tel: +39 02 45 19 21
parker.italy@parker.com

KZ – Kazakhstan, Almaty
Tel: +7 7273 561 000
parker.easteurope@parker.com

NL – The Netherlands, Oldenzaal
Tel: +31 (0)541 585 000
parker.nl@parker.com

NO – Norway, Asker
Tel: +47 66 75 34 00
parker.norway@parker.com

PL – Poland, Warsaw
Tel: +48 (0)22 573 24 00
parker.poland@parker.com

PT – Portugal, Leca da Palmeira
Tel: +351 22 999 7360
parker.portugal@parker.com

RO – Romania, Bucharest
Tel: +40 21 252 1382
parker.romania@parker.com

RU – Russia, Moscow
Tel: +7 495 645-2156
parker.russia@parker.com

SE – Sweden, Spånga
Tel: +46 (0)8 59 79 50 00
parker.sweden@parker.com

SK – Slovakia, Banská Bystrica
Tel: +421 484 162 252
parker.slovakia@parker.com

SL – Slovenia, Novo Mesto
Tel: +386 7 337 6650
parker.slovenia@parker.com

TR – Turkey, Istanbul
Tel: +90 216 4997081
parker.turkey@parker.com

UA – Ukraine, Kiev
Tel: +380 44 494 2731
parker.ukraine@parker.com

UK – United Kingdom, Warwick
Tel: +44 (0)1926 317 878
parker.uk@parker.com

ZA – South Africa, Kempton Park
Tel: +27 (0)11 961 0700
parker.southafrica@parker.com

North America

CA – Canada, Milton, Ontario
Tel: +1 905 693 3000

US – USA, Cleveland
Tel: +1 216 896 3000

Asia Pacific

AU – Australia, Castle Hill
Tel: +61 (0)2-9634 7777

CN – China, Shanghai
Tel: +86 21 2899 5000

HK – Hong Kong
Tel: +852 2428 8008

IN – India, Mumbai
Tel: +91 22 6513 7081-85

JP – Japan, Tokyo
Tel: +81 (0)3 6408 3901

KR – South Korea, Seoul
Tel: +82 2 559 0400

MY – Malaysia, Shah Alam
Tel: +60 3 7849 0800

NZ – New Zealand, Mt Wellington
Tel: +64 9 574 1744

SG – Singapore
Tel: +65 6887 6300

TH – Thailand, Bangkok
Tel: +662 186 7000-99

TW – Taiwan, Taipei
Tel: +886 2 2298 8987

South America

AR – Argentina, Buenos Aires
Tel: +54 3327 44 4129

BR – Brazil, Sao Jose dos Campos
Tel: +55 800 727 5374

CL – Chile, Santiago
Tel: +56 2 623 1216

MX – Mexico, Toluca
Tel: +52 72 2275 4200

