

L1102J

Luminaires for use in Hazardous Locations



Protection

- Class I, Division 2 Group A, B, C, D

Standards

- UL 844
- UL 1598 Luminaires
- UL 8750
- CSA C22.2 No. 137-18
- CSA C22.2 No. 250.0
- CSA C22.2 No. 250.13

Light Features

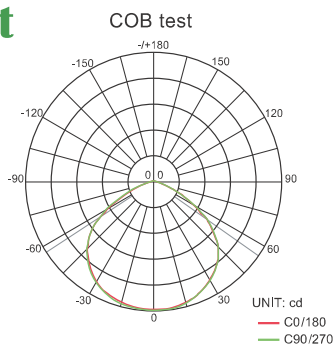
- Design with junction box for quick and easy installation.
- Hassle-free of lighting connection via multi-directional box entry.
- Flexible box assembly as per worksite requirement.

Technical Data

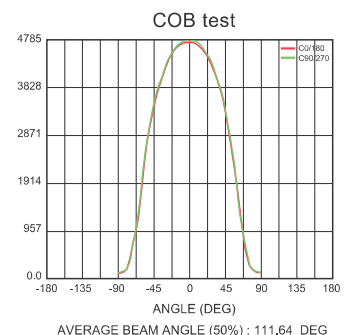
Rated Voltage (±10%)	COB: 120V / 277V / 480V AC, SMD: 120V / 277V AC							
Watts (±10%)	COB: 60W / 80W / 100W, SMD: 65W / 75W / 95W							
Amps	60W 120V: 0.50A, 277V: 0.22A, 480V: 0.13A / 80W 120V: 0.67A, 277V: 0.29A, 480V: 0.17A / 100W 120V: 0.83A, 277V: 0.36A, 480V: 0.21A 65W 120V: 0.54A, 277V: 0.23A / 75W 120V: 0.63A, 277V: 0.27A, 95W 120V: 0.79A, 277V: 0.34A							
Color of LED Light	3000K (Warm White) / 5000K (Cool White)							
Ambient Temperature	CID2: -40°C ~ +40°C							
Power Factor	cos ≥ 0.9, cos ≥ 0.87(480V)							
CRI	Cool White ≥ 70 / Warm White ≥ 80							
Lumen (±10%)	COB	60W	80W	100W	SMD	65W	75W	95W
	3000K	5700	7600	9000lm	3000K	6175	7215	8550lm
	5000K	6000	8000	10000lm	5000K	6500	7500	9500lm
Beam Angle	X-110° / Y-110°							
Frequency	50 / 60 Hz							
Degree of Protection	IP67 / NEMA 6							
Material	• Enclosure	Aluminum alloy						
	• Glass	Tempered glass						
LED Service Life	60,000 hrs							
Entrance Thread	M20, M25, NPT 1/2", NPT 3/4" x 1~5 thread holes							

Optical Report

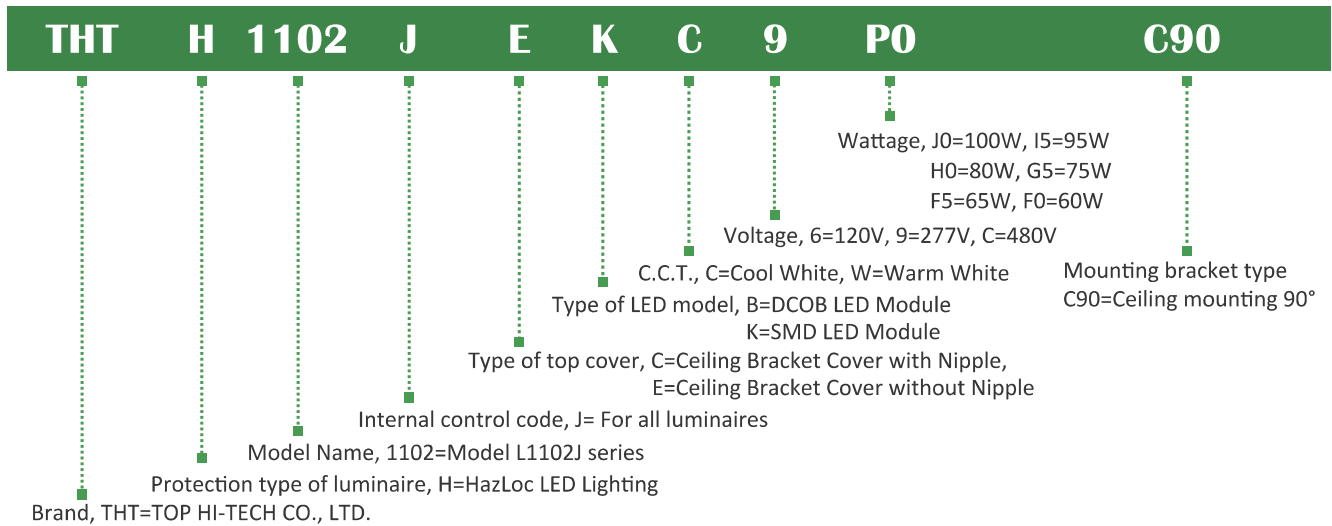
Polar Luminous Intensity Distribution



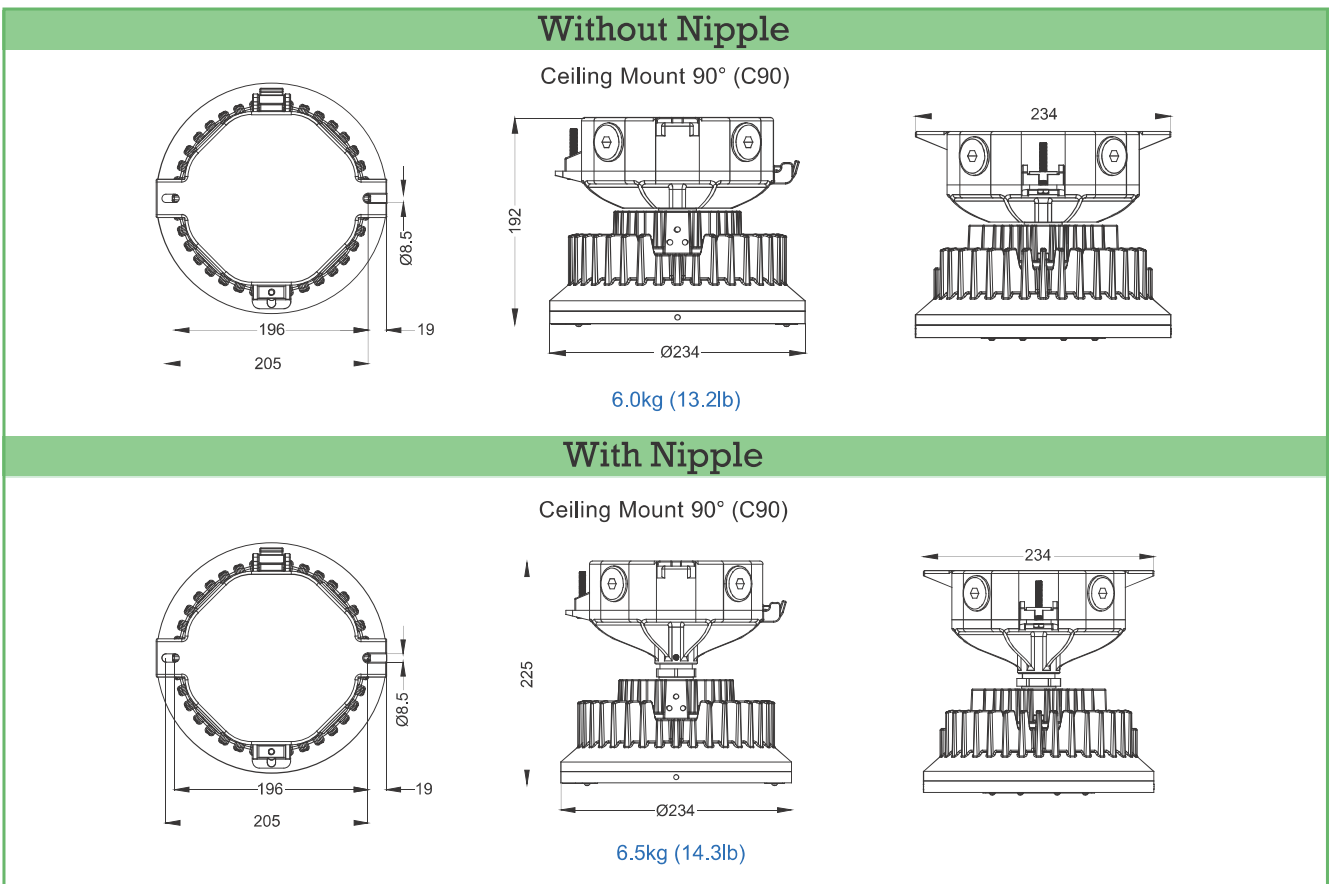
Luminous Intensity Distribution Diagram



Model Code

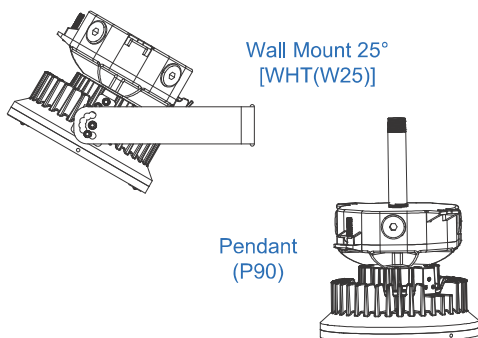


Mounting Option & Dimensions (All in mm)



Optional Mounting

*Two-position (wall/hanging) adjustable trunion, each position with two aiming angles (25° and 90° adjustable).



Optional Accessory

