

L1105

Luminaires For Use In Hazardous Locations



Net Weight: 4.5 kg (9.9 lb)



Protection

- Class I, Division 1 Group B, C, D
- Class II, Division 1 Group E, F, G
- Class III

Standards

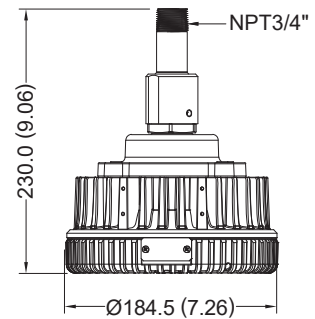
- UL 844
- UL 1598 Luminaires
- UL 8750
- CSA C22.2 No. 137-M1981
- CSA C22.2 No. 30-M1986
- CSA C22.2 No. 25-1996
- CSA C22.2 No. 250.0
- CSA C22.2 No. 250.13

Light Features

- Service life up to 60,000 hours
- Salt Spray 1000 hrs passed
- Tank veiver mounting available

Technical Data

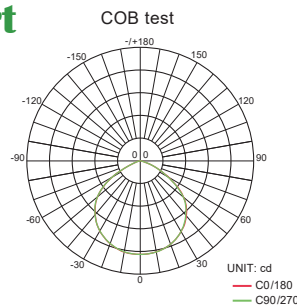
Rated Voltage (±10%)	COB: 24V / 120V / 277V / 480V, DOB: 120V / 277V, SMD: 120V / 277V AC		
Watts (±10%)	40W / 60W (Watts of 24V are different, please contact us for details.)		
Amps	COB: 40W 24V: 1.67A, 120V: 0.33A, 277V: 0.14A, 480V: 0.08A / 60W 24V: 2.50A, 120V: 0.50A, 277V: 0.22A, 480V: 0.13A DOB: 40W 120V: 0.33A, 277V: 0.14A / 60W 120V: 0.50A, 277V: 0.22A SMD: 40W 120V: 0.33A, 277V: 0.14A / 60W 120V: 0.50A, 277V: 0.22A		
Color of LED Light	3000K (Warm White) / 5000K (Cool White)		
Ambient Temperature	CID1: -40°C ~ +40°C, T6 / CIID1: +40°C, T4		
Power Factor	cos ≥ 0.9, cos ≥ 0.87 (480V)		
CRI	Cool White ≥ 70 / Warm White ≥ 80		
Lumen (±10%)		40W	60W
	3000K	3800lm	5700lm
	5000K	4000lm	6000lm
Beam Angle	X-110° / Y-110°		
Frequency	50 / 60 Hz		
Degree of Protection	IP67 / NEMA 6		
Material	• Enclosure • Glass Aluminum alloy Tempered glass		
LED Service Life	60,000 hrs		
Entrance Thread	1 × NPT 3/4"		



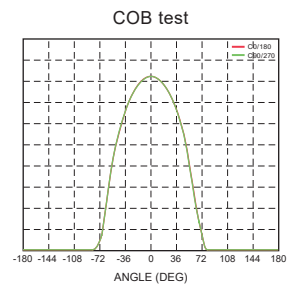
Dimension in Millimeters (inches)

Optical Report

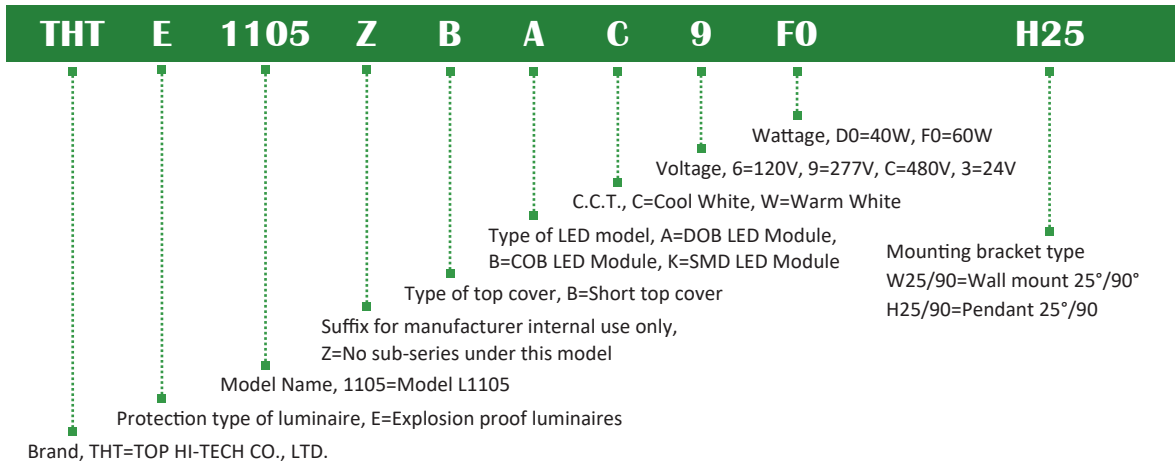
Polar Luminous Intensity Distribution



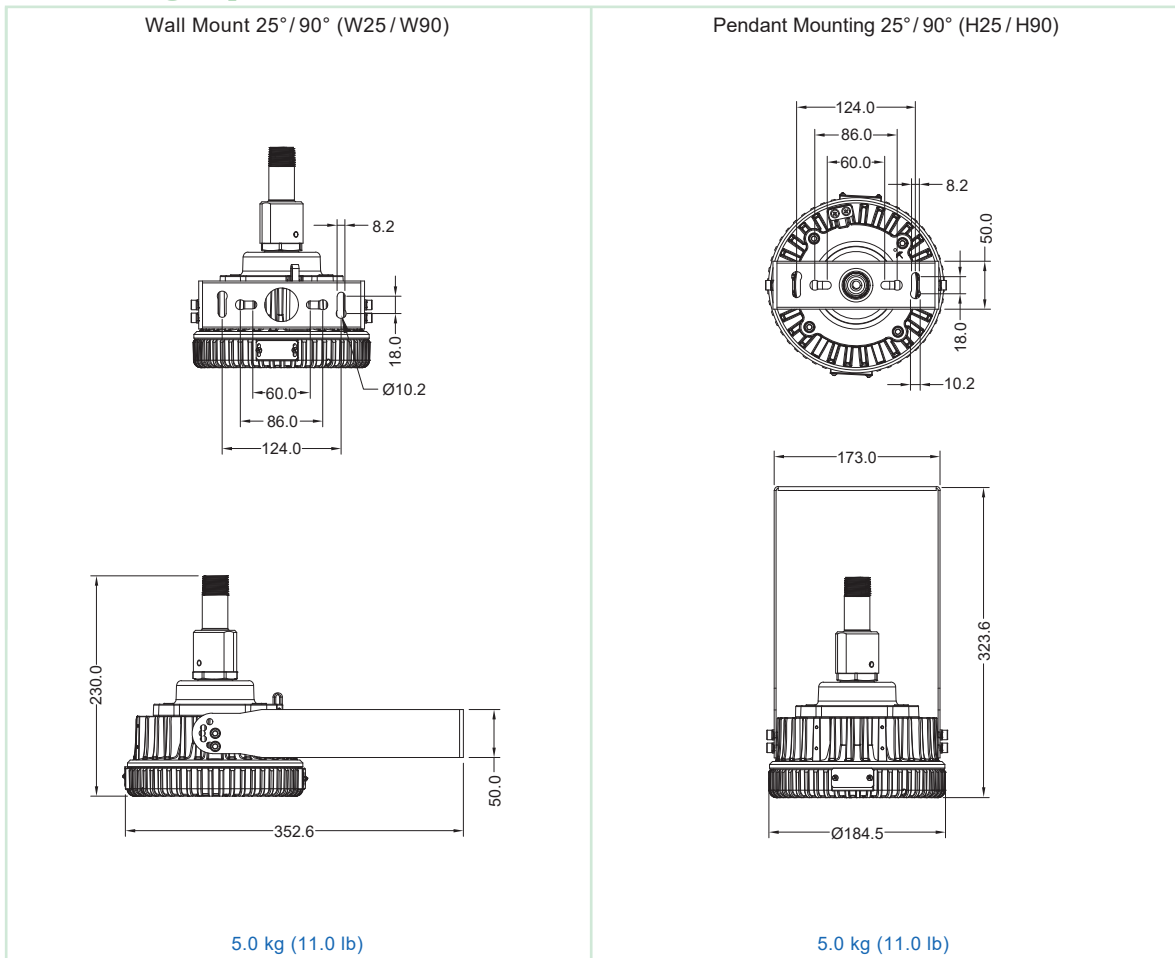
Luminous Intensity Distribution Diagram



Model Code



Mounting Option & Dimensions (All in mm)



Applicable Area

- Oil Refinery Complex
- Painting Facility
- Transporting Liquefied
- Offshore Platform
- Petrochemical Complex
- Transporting Nature Gas
- Petroleum Gas
- (Oil and Natural Gas)