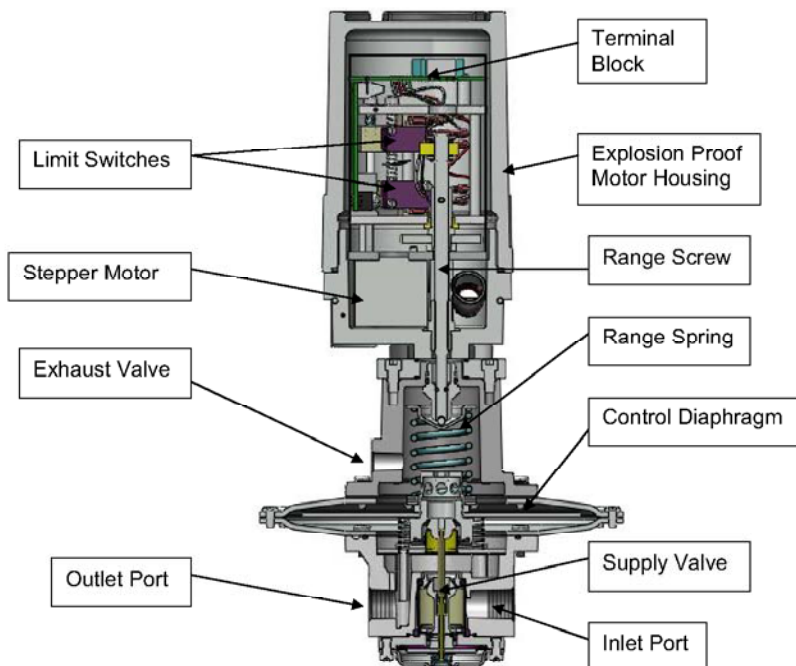


Model
MP2400



Explosion-Proof DC Pulse Input (XS)

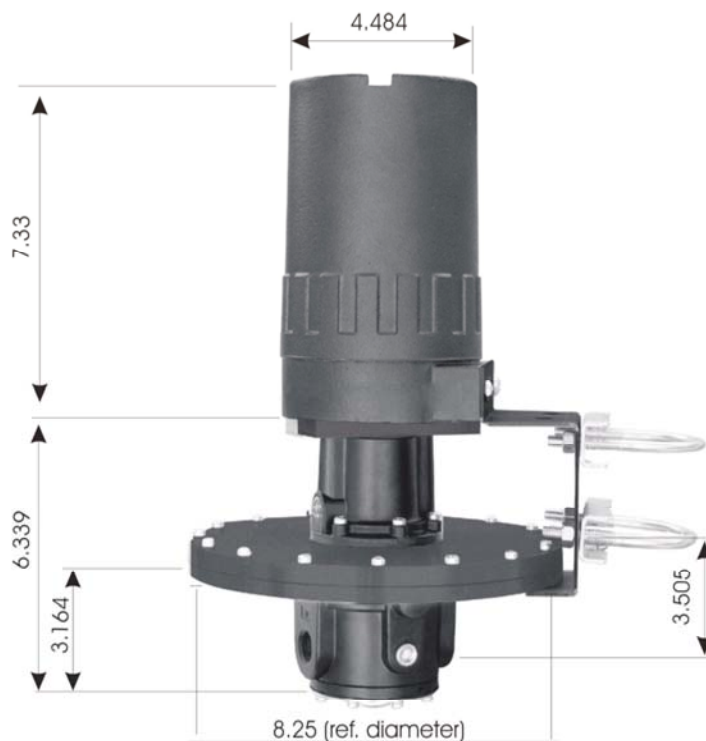
The Model 2400 M/P Converter is isolated from an explosive environment by enclosing in an explosion-proof housing. The Stepper Motor configuration is equipped with a clock generator positioned horizontally, which plugs into a vertically mounted translator board. The configuration includes limit switches.

The Stepper Motor is mounted on the bottom of the motor assembly in the base of the explosion-proof housing. Wiring to the unit is made to a terminal board through a 1/2" - 14 NPT conduit fitting in the base of the housing.

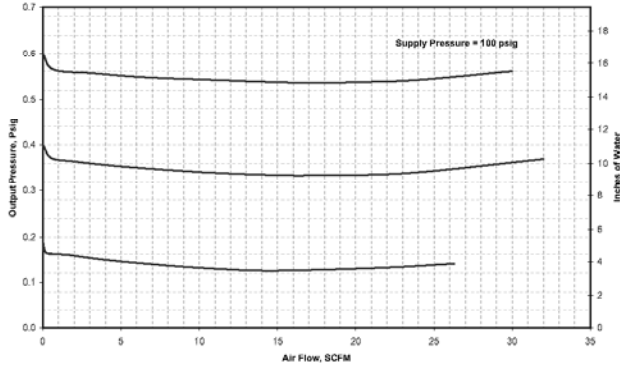
The unit includes two single pole, double throw, double break limit switches.

Switches on the clock generator board allow selection of:

- a) Internally or Externally powered controls loops.
- b) Half-step or Full step mode.
- c) High-Speed or Low-Speed operation.



Flow Characteristics
Fairchild Model 4114A



Specifications

Supply Pressure
20 psi continuous up to 150 psi max

Range
0-20" Water

Consumption
None Detected

Power Supply
12-24 VDC

Materials
Stainless Trim; Aluminum Housings

Submersible to 6 feet

External Control Connections - Explosion-Proof (XS) Unit

The Explosion-Proof stepper motor unit is equipped with a Clock Generator and a Translator. Connections from an external Controller are made to the terminal clock on the Input Board as shown.

a) Controller with Isolated Loop Supply

FROM	TO
External Controller +DC	Input Board TB-1 Term 1
Switch Closure	TB-1 Term 3 (Increase)
Switch Closure	TB-1 Term 4 (Decrease)

b) Controller with Dual Isolated Loop Supply

FROM	TO
External Controller	Clock Generator DC Supply
Switch Closure	TB-1 Term 3
	TB-1 Term 4
	TB-1 Term 1

c) Controller using supply which powers Model 2400 as Control Loop Supply

FROM	TO
External Controller	DC Supply Clock Generator
Switch Comm	
Switch Closure	TB-1 Term 3
Switch Closure	TB-1 Term 4

Catalog Information

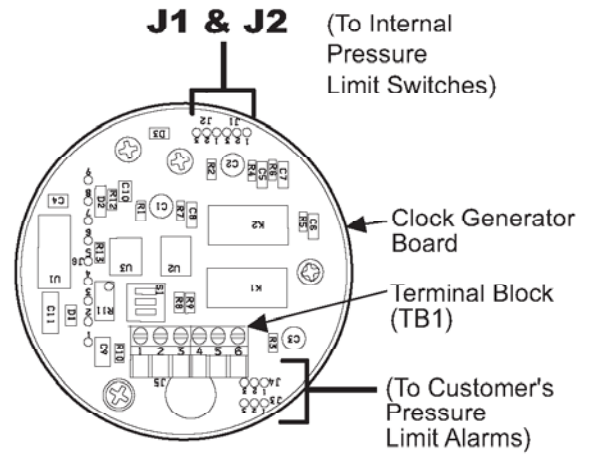
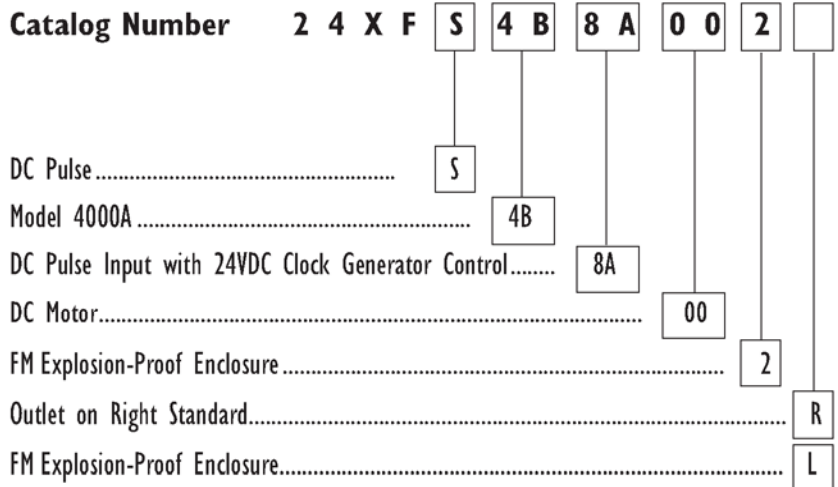


Table 1. Clock Generator PC Board Wiring Connections

From Connector	Color	Function	To Closure
J1-1	Green	Internal High Pressure Limit Switch	Normally Open
-2	White/Green		Normally Closed
-3	Black		Common
J2-1	Red	Internal Low Pressure Limit Switch	Normally Open
-2	White/Red		Normally Closed
-3	White/Black		Common
J3-1	Gray	Customer's High Pressure Limit Alarm	Common
-2	White/Yellow		Normally Closed
-3	Yellow		Normally Open
J4-1	Brown	Customer's Low Pressure Limit Alarm	Common
-2	White/Orange		Normally Closed
-3	Orange		Normally Open

FM Explosion Proof for CL1, DIV1, GRPS B, C & D and CL2, DIV1, GRPS E, F, G; NEMA 4X