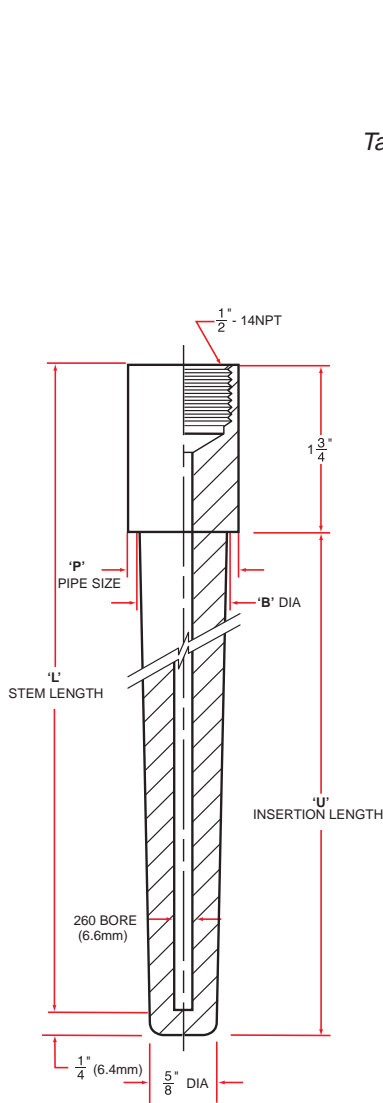


Thermowells *Socket Weld-Tapered*



Style	Bore	Stem Length	Options
Tapered TW23	A 0.260	Please insert in Decimal Units	See Full Chart Options
Taper Lagged TW26	B 0.385		

--	--	--	--	--	--

$\frac{3}{4}$ " (1.05" DIA) 83
1" (1.315" DIA) 84

Process Size

See Chart
Stem Material

Example:

TW26 Lagged Tapered
A 0.260
83 $\frac{3}{4}$ " Pipe
L 316SS
06 6" Stem
B SS Plug & Chain

Material Chart:

A Brass
D Carbon Steel
E A105
F F11
G F22
H 304
J 304/L
L 316
M 316/L
R Monel
T Titanium
U Hast. C

See full chart for more material codes.

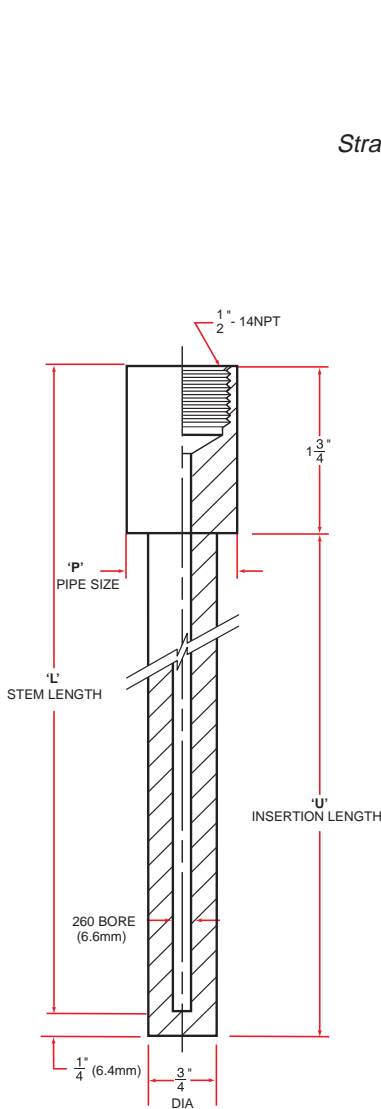


1-877-MAC-WELD (622-9353)

Tel: (519) 332-1388 Fax: (519) 332-3280

Mac-Weld.com

Thermowells *Socket Weld-Straight*



Style
 Straight TW22
 Straight Lagged TW25

Bore
 A 0.260
 B 0.385

Stem Length
 Please insert in Decimal Units

Options
 See Full Chart Options

$\frac{3}{4}$ " (1.05" DIA) 83
 1" (1.315" DIA) 84

Process Size

Stem Material
 See Chart

Example:

- TW25 Lagged Straight
- A 0.260
- 83 $\frac{3}{4}$ " Pipe
- L 316SS
- 06 6" Stem
- B SS Plug & Chain

Material Chart:

- A Brass
- D Carbon Steel
- E A105
- F F11
- G F22
- H 304
- J 304/L
- L 316
- M 316/L
- R Monel
- T Titanium
- U Hast. C

See full chart for more material codes.

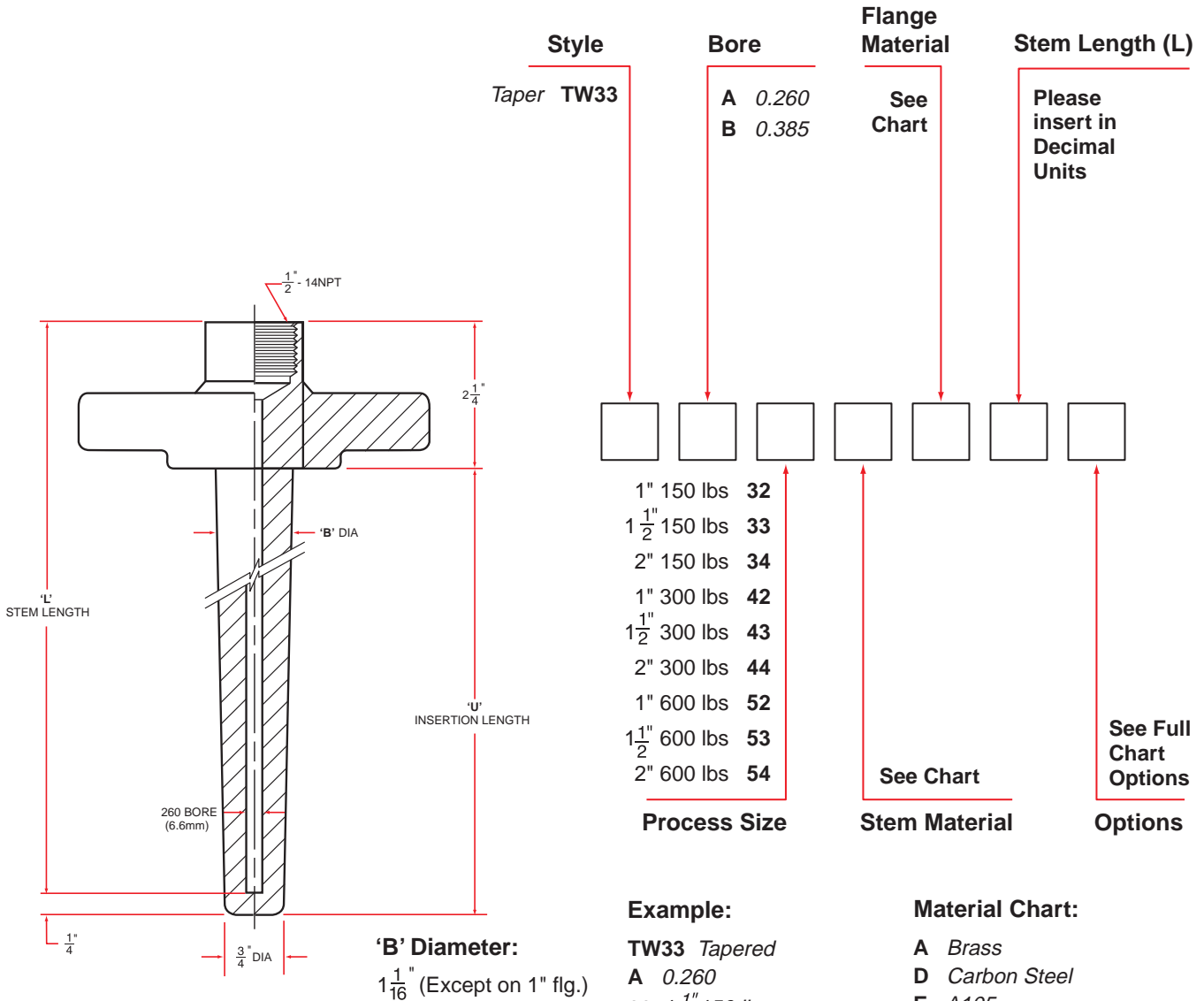


1-877-MAC-WELD (622-9353)

Tel: (519) 332-1388 Fax: (519) 332-3280

Mac-Weld.com

Thermowells *Flanged Tapered*



Example:

TW33 Tapered
 A 0.260
 33 1 1/2" 150 lbs
 L 316SS Stem
 L 316SS Flange
 12 Stem Length (L) inches
 B SS Plug & Chain (option)

Material Chart:

A Brass
 D Carbon Steel
 E A105
 F F11
 G F22
 H 304
 J 304/L
 L 316
 M 316/L
 R Monel
 T Titanium
 U Hast. C

See full chart for more material codes.



1-877-MAC-WELD (622-9353)

Tel: (519) 332-1388 Fax: (519) 332-3280

Mac-Weld.com