

# Class I, Div 2 certified low-frequency accelerometer 786-500-D2

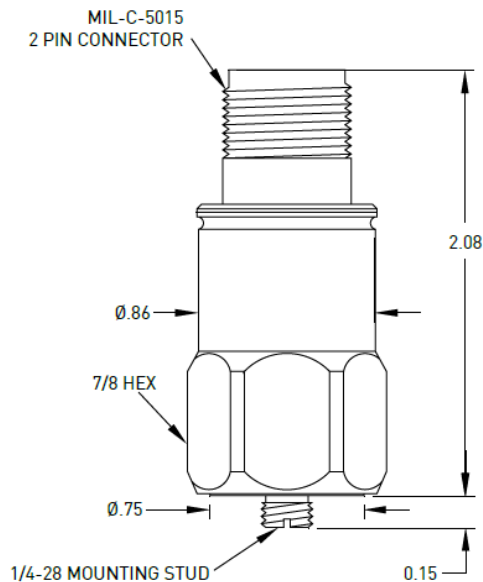


Wilcoxon's top-exit broadband sensor is certified for usage in hazardous areas. The high-sensitivity accelerometer offers an interior sensing element capable of producing 500 mV/g outputting clear signals at low vibration levels. The low-end frequency response makes it ideal for slow-speed applications such as wind turbine generators and cooling towers. A high top-end frequency response offers clear signals for early bearing fault detection, gear-box wear, and other high-speed applications.

The 786-500-D2 is classified for usage in Class I Division 2/Zone 2 locations where ignitable gases, vapors or liquids are handled, processed or used but are not usually present during normal operation and can only escape through accidental rupture, breakdown or leaks.


## Key features

- High sensitivity
- Extended low frequency response
- Clear signals at low vibration levels
- Class I, Div 2/Zone 2 certified, non-incendive
- Hermetically sealed
- ESD protected
- Reverse wiring protection
- Manufactured in an approved ISO 9001 facility



Connections	
Function	Connector pin
ground	shell
power/signal	A
common	B

## Certifications

  
C US  
Class I, Div 2  
Groups A, B, C, D

  
Ex nA II T4 Gc



Note: Due to continuous process improvement, specifications are subject to change without notice.  
This document is cleared for public release.

Wilcoxon Sensing Technologies  
20511 Seneca Meadows Parkway  
Germantown, MD 20876  
info@wilcoxon.com

Tel: (301) 330 8811  
Fax: (301) 330 8873  
www.wilcoxon.com

Wilcoxon Sensing Technologies  
An Amphenol Company

# Class I, Div 2 certified low-frequency accelerometer 786-500-D2

## SPECIFICATIONS

	English	Metric
<b>Sensitivity, ±5%, 25° C</b>	500 mV/g	49 mV/m/sec <sup>2</sup>
<b>Acceleration range, VDC &gt; 22V</b>	10 g peak	98 m/sec <sup>2</sup> peak
<b>Amplitude nonlinearity</b>	1%	1%
<b>Frequency response<sup>1</sup>:</b>		
± 5%	42 - 300,000 CPM	0.7 - 5,000 Hz
± 10%	30 - 540,000 CPM	0.5 - 9,000 Hz
± 3 dB	12 - 600,000 CPM	0.2 - 10,000 Hz
<b>Resonance frequency</b>	1,800 kCPM	30 kHz
<b>Transverse sensitivity, max</b>	5% of axial	5% of axial
<b>Temperature response:</b>		
-25° C	-10%	-10%
+120° C	+10%	+10%
<b>Power requirement:</b>		
Voltage source	18 - 30 VDC	18 - 30 VDC
Current regulating diode	2 - 10 mA	2 - 10 mA
<b>Electrical noise, equiv. g:</b>		
Broadband      2.5 Hz to 25 kHz	250 µg	2.4 x 10 <sup>-3</sup> m/sec <sup>2</sup>
Spectral              10 Hz	2.5 µg/√Hz	2.4 x 10 <sup>-5</sup> m/sec <sup>2</sup> /√Hz
100 Hz	1.5 µg/√Hz	1.5 x 10 <sup>-5</sup> m/sec <sup>2</sup> /√Hz
1,000 Hz	1.5 µg/√Hz	1.5 x 10 <sup>-5</sup> m/sec <sup>2</sup> /√Hz
<b>Output impedance, max</b>	100 Ω	100 Ω
<b>Bias output voltage</b>	12 VDC	12 VDC
<b>Grounding</b>	case isolated, internally shielded	
<b>Temperature range</b>	-58 to +248° F	-50 to +120° C
<b>Vibration limit</b>	500 g peak	4,900 m/sec <sup>2</sup> peak
<b>Shock limit</b>	5,000 g peak	49,000 m/sec <sup>2</sup> peak
<b>Electromagnetic sensitivity, equiv g, max</b>	70 µg/gauss	6.9 x 10 <sup>-4</sup> m/sec <sup>2</sup> /gauss
<b>Sealing</b>	hermetic	
<b>Base strain sensitivity, max</b>	0.0002 g/µstrain	1.9 x 10 <sup>-3</sup> m/sec <sup>2</sup> /µstrain
<b>Sensing element design</b>	PZT, shear	
<b>Weight</b>	3.17 oz	90 grams
<b>Case material</b>	316L stainless steel	
<b>Mounting</b>	1/4-28 UNF tapped hole	
<b>Output connector</b>	MIL-C-5015 style, 2-pin	
<b>Recommended cabling</b>	J10 / J9T2A	

## Contact

Wilcoxon Sensing  
Technologies

20511 Seneca Meadows Parkway  
Germantown MD 20876, USA

Tel: +1 301 330 8811  
Fax: +1 301 330 8873

info@wilcoxon.com

www.wilcoxon.com

## Accessories supplied:

- Calibration data (level 2)
- SF6M mounting stud

**Notes:** <sup>1</sup> Frequency response limits, spectral and noise values are typical.

Note: Due to continuous process improvement, specifications are subject to change without notice.  
This document is cleared for public release.

Wilcoxon Sensing Technologies  
20511 Seneca Meadows Parkway  
Germantown, MD 20876  
info@wilcoxon.com

Tel: (301) 330 8811  
Fax: (301) 330 8873  
www.wilcoxon.com

Wilcoxon Sensing Technologies  
An Amphenol Company