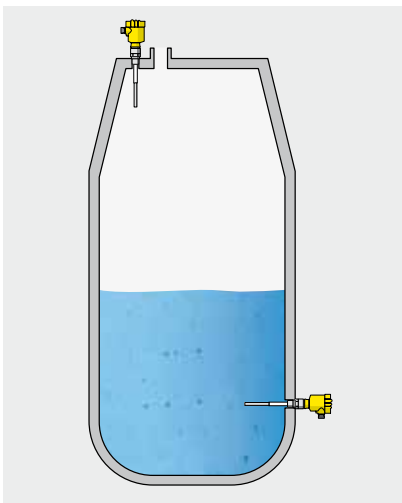




Overview VEGACAP

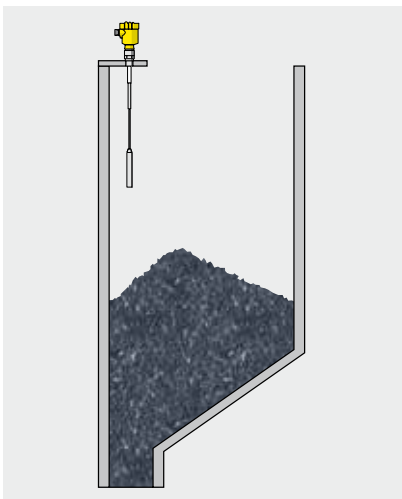


Area of application

The point level sensors of the VEGACAP series are used in homogeneous liquids and bulk solids in tanks and pipes that provide stable electrical measuring conditions. They are used for overfill protection, dry run protection, oil/water detection as well as foam detection. For liquid applications, the fully insulated versions are mainly used. These allow point level detection in aggressive liquids or in very adhesive products. For bulk solids applications, partly insulated versions are preferred.




Measuring principle

In capacitive level measurement, sensor and vessel form the two electrodes of a capacitor. Any change in capacitance due to a level change is converted into a switching signal. The capacitive measuring principle places no special requirements on installation and mounting.







Advantages

These low-cost point level sensors can be installed in tanks or pipes in any position. Thanks to shortenable cable and rod versions, the sensors can be adapted to any application and are very easy to install. Their robust mechanical design is the basis for reliable, trouble and maintenance-free operation and a long service life.

	VEGACAP 62	VEGACAP 63	VEGACAP 64
			
Application	Bulk solids, non-conductive liquids	Conductive liquids	Adhesive, conductive liquids
Measuring range	up to 6 m	up to 6 m	up to 4 m
Version	Partly insulated rod of steel, 316L, PTFE, PEEK	Fully insulated rod of 316L, PE, PTFE, Alloy, steel	Fully insulated rod of 316L, PTFE, steel
Process fitting	Thread from G $\frac{1}{2}$, $\frac{1}{2}$ NPT, flanges from DN 25, 1"	Thread from G $\frac{1}{2}$, $\frac{1}{2}$ NPT, flanges from DN 25, 1"	Thread from G $\frac{3}{4}$, $\frac{3}{4}$ NPT, flanges from DN 25, 1"
Process temperature	-50 ... +200 °C	-50 ... +200 °C	-50 ... +200 °C
Process pressure	-1 ... +64 bar (-100 ... +6400 kPa)	-1 ... +64 bar (-100 ... +6400 kPa)	-1 ... +64 bar (-100 ... +6400 kPa)
Signal output	Relay, transistor, two-wire output, contactless electronic switch	Relay, transistor, two-wire output, contactless electronic switch	Relay, transistor, two-wire output, contactless electronic switch
Approvals	ATEX, IEC, FM, CSA, GOST, Overfill protection, Ship, SIL2	ATEX, IEC, FM, CSA, GOST, Overfill protection, Ship, SIL2	ATEX, IEC, FM, CSA, GOST, Overfill protection, Ship, SIL2

	VEGACAP 65	VEGACAP 66	VEGACAP 67
			
Application	Bulk solids, non-conductive liquids	Bulk solids, conductive liquids	Bulk solids with high process temperatures
Measuring range	up to 32 m	up to 32 m	Rod up to 6 m; cable up to 40 m
Version	Partly insulated cable of steel, 316L, PTFE, PA, PEEK	Fully insulated cable of 316L, PTFE, steel	Rod or cable of steel, 316L, PTFE, ceramic
Process fitting	Thread from G1, 1 NPT, flanges from DN 50, 2"	Thread from G1, 1 NPT, flanges from DN 50, 2"	Thread from G1½, 1½ NPT, flanges from DN 50, 2"
Process temperature	-50 ... +200 °C	-50 ... +150 °C	-50 ... +400 °C
Process pressure	-1 ... +64 bar (-100 ... +6400 kPa)	-1 ... +40 bar (-100 ... +4000 kPa)	-1 ... +16 bar (-100 ... +1600 kPa)
Signal output	Relay, transistor, two-wire output, contactless electronic switch	Relay, transistor, two-wire output, contactless electronic switch	Relay, transistor, two-wire output, contactless electronic switch
Approvals	ATEX, IEC, FM, CSA, GOST, Overfill protection, Ship, SIL2	ATEX, IEC, FM, CSA, GOST, Overfill protection, Ship, SIL2	ATEX

	VEGACAP 69	VEGACAP 27	VEGACAP 35	VEGACAP 98
				
	Aggressive liquids	Adhesive, conductive liquids	Bulk solids	Liquids, bulk solids
	up to 4 m	up to 4 m	up to 20 m	up to 2 m
	Double rod	Fully insulated rod of steel, 316Ti, PTFE, PFA	Insulated cable of steel, 316Ti, PE, PA12	Fully insulated rod of PP
	Flanges from DN 50, 2"	Thread from G1, 1 NPT, Clamp 1½"	Thread from G1½, 1½ NPT	Thread from G1½, 1½ NPT
	-50 ... +100 °C	-50 ... +200 °C	-40 ... +80 °C	-40 ... +80 °C
	-1 ... +2 bar (-100 ... +200 kPa)	-1 ... +63 bar (-100 ... +6300 kPa)	-1 ... +16 bar (-100 ... +1600 kPa)	Unpressurized operation
	Relay, transistor, two-wire output, contactless electronic switch	Relay output	Relay output	Relay output
	ATEX, GOST	Overfill protection	Overfill protection	Overfill protection

VEGACAP 62

Capacitive rod electrode for level detection

Application area

The VEGACAP 62 is a point level sensor for use in all areas of industry. The partly insulated probe is ideal for measurement of bulk solids and can be used in non-conductive liquids such as for example oil. The proven mechanical construction ensures a high functional safety.

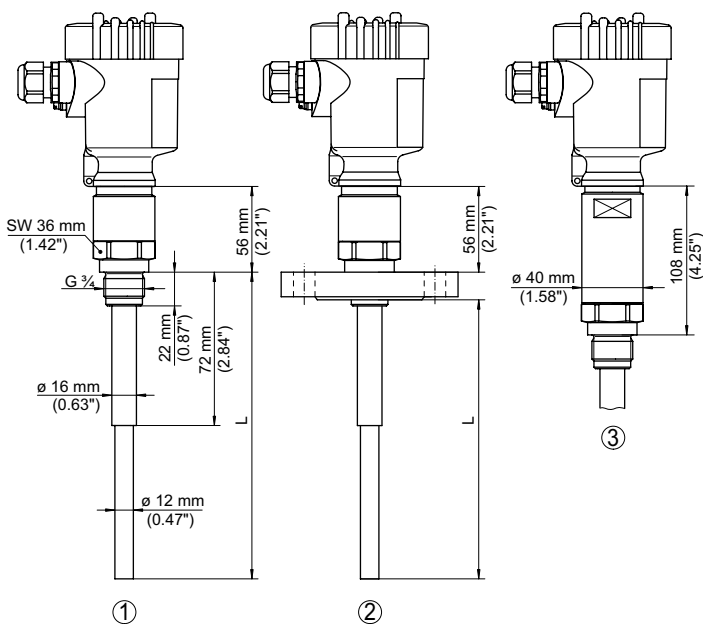
Your benefit

- Long lifetime and reduced maintenance through robust mechanical construction
- High flexibility through shortenable probe
- Universal use in all products

Technical data

Version:	partly insulated rod
Measuring range:	up to 6 m
Process fitting:	thread from G $\frac{1}{2}$, $\frac{1}{2}$ NPT flanges from DN 50, 2"
Materials:	steel, 316L, PTFE, PEEK
Process temperature:	-50 ... +200 °C
Process pressure:	-1 ... +64 bar (-100 ... +6400 kPa)
SIL qualification:	optionally up to SIL2

Delivery time:  **SPEED**



- ① Threaded version
- ② Flange version
- ③ Threaded version with temperature adapter +200 °C

L = Probe length

The options shown represent only a limited selection. Additional instrument options and possible restrictions.

www.vega.com/configurator

Instrument documentation and drawings:

www.vega.com/downloads

Mounting accessories, welded sockets and housing overview:

Chapter Accessory

Approval

- XX without
- XM Ship approval
- XA Overfill protection according to WHG
- CX ATEX II 1G, 1/2G, 2G Ex ia IIC T6
- CA ATEX II 1G, 1/2G, 2G Ex ia IIC T6 + WHG
- CM ATEX II 1G, 1/2G, 2G Ex ia IIC T6 + Ship
- CK ATEX II 1G, 1/2G, 2G Ex ia IIC T6 + II 1/2, 2D Ex tD
- CI IECEx Ex ia IIC T6
- GX ATEX II 1/2D, 2D Ex tD A20/21, A21 IP66 T*
- GI IEC Ex tD A20/21, A21 IP66 T*

Version / Process temperature

- E Standard / -20 ... +150°C, steel C22.8 (1.0460)
- A Standard / -50...+150°C
- K Standard / -50...+150°C, PEEK
- B Standard / -50 ... +200°C
- C with screening tube PN1; 316L / -50 ... +150°C
- D with screening tube PN1; 316L / -50 ... +200°C

Process fitting / Material

- GS Thread G1½ PN64, DIN3852-A / Steel C22.8 (1.0460)
- GA Thread G¾ PN64, DIN3852-A / 316L
- NA Thread ¾NPT PN64, ASME B1.20.1 / 316L
- GC Thread G1 PN64, DIN3852-A / 316L
- NC Thread 1NPT PN64, ASME B1.20.1 / 316L
- GD Thread G1½ PN64, DIN3852-A / 316L
- ND Thread 1½NPT PN64, ASME B1.20.1 / 316L
- EF Flange DN50 PN40 Form C, DIN2501 / 316L
- KF Flange DN80 PN40 Form C, DIN2501 / 316L
- MF Flange DN100 PN16 Form C, DIN2501 / 316L
- HA Flange 2" 150lb RF, ASME B16.5 / 316L
- OA Flange 3" 150lb RF, ASME B16.5 / 316L
- SA Flange 4" 150lb RF, ASME B16.5 / 316L
- WB Flange 8" 150lb RF, ASME B16.5 / 316L

Electronics

- C Contactless electronic switch 20...253V AC/DC
- R Relay (DPDT) 20...72V DC / 20...250V AC (3A)
- T Transistor (NPN/PNP) 10...55V DC
- Z Two-wire for connection to VEGATOR 14x

Housing / Protection

- K Plastic single chamber / IP66/IP67
- A Aluminium single chamber / IP66/IP68 (0.2 bar)
- 8 Stainless steel single chamber (electropolished) / IP66/IP68 (0.2 bar)

Cable entry / Cable gland / Plug connection

- M M20x1.5 / with / without
- N ½NPT / without / without

Additional equipment

- X Without



Length (from seal surface)

316L (100-6000 mm) per 100 mm

Length screening tube

316L (50-5960 mm) per 100 mm

Insulation length

PTFE insulated (50-5990 mm) per 100 mm

VEGACAP 63

Capacitive rod electrode for level detection

Application area

The VEGACAP 63 is a point level sensor for universal use in conductive liquids. The rod probe is fully insulated and the proven construction ensures high functional safety.

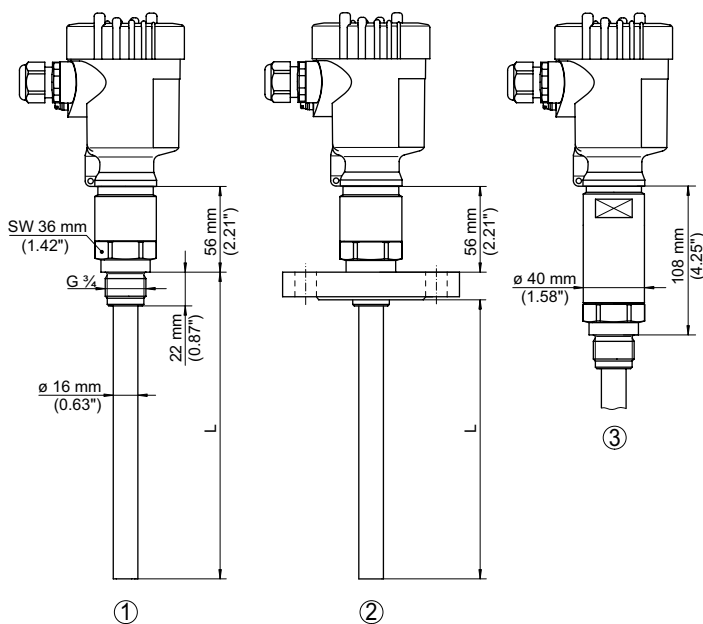
Your benefit

- Long lifetime and reduced maintenance requirement through robust mechanical construction
- Savings through simple mounting and setup
- Simple planning due to variable switching point

Technical data

Version:	fully insulated rod
Measuring range:	up to 6 m
Process fitting:	thread from G $\frac{1}{2}$, $\frac{1}{2}$ NPT flanges from DN 50, 2"
Materials:	316L, PE, PTFE, steel
Process temperature:	-50 ... +200 °C
Process pressure:	-1 ... +64 bar (-100 ... +6400 kPa)
SIL qualification:	optionally up to SIL2

Delivery time:  **SPEED**



- ① Threaded version
- ② Flange version
- ③ Threaded version with temperature adapter +200 °C

L = Probe length

The options shown represent only a limited selection. Additional instrument options and possible restrictions.

www.vega.com/configurator

Instrument documentation and drawings:

www.vega.com/downloads

Mounting accessories, welded sockets and housing overview:

Chapter Accessory

Approval

- XX without
- XM Ship approval
- XA Overfill protection according to WHG
- CX ATEX II 1G, 1/2G, 2G Ex ia IIC T6
- CA ATEX II 1G, 1/2G, 2G Ex ia IIC T6 + WHG
- CM ATEX II 1G, 1/2G, 2G Ex ia IIC T6 + Ship approval
- CI IECEx Ex ia IIC T6
- GI IEC Ex tD A20/21 IP66 T*, A21

Version / Process temperature

- E PE isolation / -40...+80°C
- F PTFE isolation / -50...+150°C
- G PTFE isolation / -50...+200°C

Process fitting / Material

- GS Thread G1½ PN64, DIN3852-A / Steel C22.8 (1.0460)
- GA Thread G¾ PN64, DIN3852-A / 316L
- NA Thread ¾NPT PN64, ASME B1.20.1 / 316L
- NI Thread ¾NPT PN64, ASME B1.20.1 / Alloy C22 (2.4602)
- GC Thread G1 PN64, DIN3852-A / 316L
- NC Thread 1NPT PN64, ASME B1.20.1 / 316L
- GD Thread G1½ PN64, DIN3852-A / 316L
- ND Thread 1½NPT PN64, ASME B1.20.1 / 316L
- EF Flange DN50 PN40 Form C, DIN2501 / 316L
- KF Flange DN80 PN40 Form C, DIN2501 / 316L
- MF Flange DN100 PN16 Form C, DIN2501 / 316L
- HA Flange 2" 150lb RF, ASME B16.5 / 316L
- OA Flange 3" 150lb RF, ASME B16.5 / 316L
- SA Flange 4" 150lb RF, ASME B16.5 / 316L

Electronics

- C Contactless electronic switch 20...253V AC/DC
- R Relay (DPDT) 20...72V DC / 20...250V AC (3A)
- T Transistor (NPN/PNP) 10...55V DC
- Z Two-wire for connection to VEGATOR 14x

Housing / Protection

- K Plastic single chamber / IP66/IP67
- A Aluminium single chamber / IP66/IP68 (0.2 bar)
- 8 Stainless steel single chamber (electropolished) / IP66/IP68 (0.2 bar)

Cable entry / Cable gland / Plug connection

- M M20x1.5 / with / without
- N ½NPT / without / without

Additional equipment

- X Without

CP63.									
-------	--	--	--	--	--	--	--	--	--

Length (from seal surface)

- 316L/PE fully insulated (100-6000 mm) per 100 mm
- 316L/PTFE fully insulated (100-6000 mm) per 100 mm

VEGACAP 64

Capacitive rod electrode for level detection of adhesive products

Application area

The VEGACAP 64 is a point level sensor for conductive liquids. The rod probe is fully insulated and is particularly suitable for viscous and adhesive products.

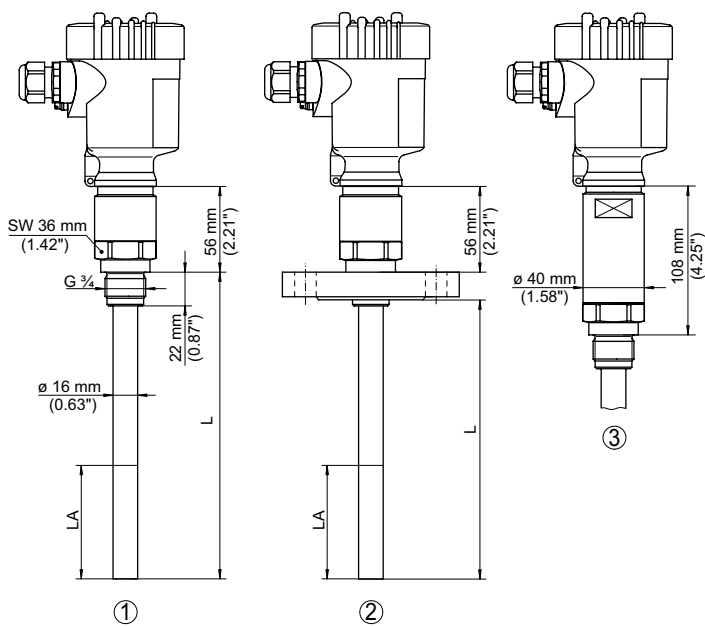
Your benefit

- Reduced number of cleaning cycles through measurement insensitive to buildup
- Maximum use of the vessel, because measurement over the complete probe length
- Long lifetime and low maintenance requirement through robust construction

Technical data

Version:	fully insulated rod
Measuring range:	up to 4 m
Process fitting:	thread from G $\frac{3}{4}$, $\frac{3}{4}$ NPT flanges from DN 50, 2"
Materials:	316L, PTFE, steel
Process temperature:	-50 ... +200 °C
Process pressure:	-1 ... +64 bar (-100 ... +6400 kPa)
SIL qualification:	optionally up to SIL2

Delivery time:  **SPEED**



- ① Threaded version
- ② Flange version
- ③ Threaded version with temperature adapter +200 °C

L = Probe length

LA Active length (50 ... 300 mm)

The options shown represent only a limited selection. Additional instrument options and possible restrictions.

www.vega.com/configurator

Instrument documentation and drawings:

www.vega.com/downloads

Mounting accessories, welded sockets and housing overview:

Chapter Accessory

Approval

- XX without
- XM Ship approval
- XA Overfill protection according to WHG
- CX ATEX II 1G, 1/2G, 2G Ex ia IIC T6
- CA ATEX II 1G, 1/2G, 2G Ex ia IIC T6 + WHG
- CM ATEX II 1G, 1/2G, 2G Ex ia IIC T6 + Ship approval
- CI IECEx Ex ia IIC T6
- GI IEC Ex tD A20/21 IP66 T*, A21

Version / Process temperature

- F PTFE isolation / -50...+150°C
- G PTFE isolation / -50...+200°C

Process fitting / Material

- GS Thread G1½ PN64, DIN3852-A / Steel C22.8 (1.0460)
- GA Thread G¾ PN64, DIN3852-A / 316L
- NA Thread ¾NPT PN64, ASME B1.20.1 / 316L
- GC Thread G1 PN64, DIN3852-A / 316L
- NC Thread 1NPT PN64, ASME B1.20.1 / 316L
- GD Thread G1½ PN64, DIN3852-A / 316L
- ND Thread 1½NPT PN64, ASME B1.20.1 / 316L
- EF Flange DN50 PN40 Form C, DIN2501 / 316L
- KF Flange DN80 PN40 Form C, DIN2501 / 316L
- MF Flange DN100 PN16 Form C, DIN2501 / 316L
- HA Flange 2" 150lb RF, ASME B16.5 / 316L
- OA Flange 3" 150lb RF, ASME B16.5 / 316L
- SA Flange 4" 150lb RF, ASME B16.5 / 316L

Electronics

- C Contactless electronic switch 20...253V AC/DC
- R Relay (DPDT) 20...72V DC / 20...250V AC (3A)
- T Transistor (NPN/PNP) 10...55V DC
- Z Two-wire for connection to VEGATOR 14x

Housing / Protection

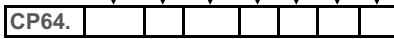
- K Plastic single chamber / IP66/IP67
- A Aluminium single chamber / IP66/IP68 (0.2 bar)
- 8 Stainless steel single chamber (electropolished) / IP66/IP68 (0.2 bar)

Cable entry / Cable gland / Plug connection

- M M20x1.5 / with / without
- N ½NPT / without / without

Additional equipment

- X Without



Length (from seal surface)

316L/PTFE fully insulated (150-4000 mm) per 100 mm

VEGACAP 65

Capacitive cable electrode for level detection

Application area

The VEGACAP 65 is a point level sensor for use in all industries. The partly insulated probe is ideal for the measurement of bulk solids and can be also used in non-conductive liquids such as for example oil. The proven construction ensures high functional safety.

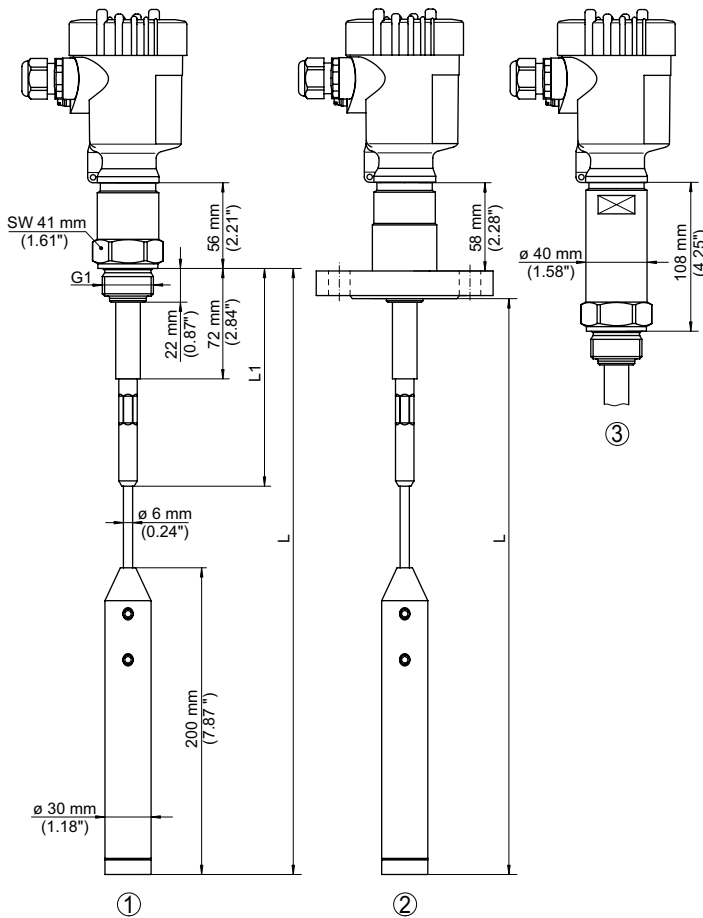
Your benefit

- Long lifetime and reduced maintenance through robust mechanical construction
- High flexibility through shortenable probe
- Reliable switching point due to large gravity weight

Technical data

Version:	partly insulated cable
Measuring range:	up to 32 m
Process fitting:	thread from G1, 1 NPT flanges from DN 50, 2"
Materials:	steel, 316L, PTFE, PA, PEEK
Process temperature:	-50 ... +200 °C
Process pressure:	-1 ... +64 bar (-100 ... +6400 kPa)
SIL qualification:	optionally up to SIL2

Delivery time:  **SPEED**



- ① Threaded version
- ② Flange version
- ③ Threaded version with temperature adapter +200 °C

L = Probe length
L1 from 142 mm

The options shown represent only a limited selection. Additional instrument options and possible restrictions.
www.vega.com/configurator
 Instrument documentation and drawings:
www.vega.com/downloads
 Mounting accessories, welded sockets and housing overview:
Chapter Accessory

Approval

- XX without
- XM Ship approval
- XA Overfill protection according to WHG
- CX ATEX II 1G, 1/2G, 2G Ex ia IIC T6
- CA ATEX II 1G, 1/2G, 2G Ex ia IIC T6 + WHG
- CM ATEX II 1G, 1/2G, 2G Ex ia IIC T6 + Ship
- CK ATEX II 1G, 1/2G, 2G Ex ia IIC T6 + II 1/2, 2D Ex tD
- CI IECEx Ex ia IIC T6
- GX ATEX II 1/2D, 2D Ex tD A20/21, A21 IP66 T*
- GI IEC Ex tD A20/21, A21 IP66 T*

Version / Process temperature

- K Cable (ø6mm), 316 with gravity weight / -50...+150°C
- L Cable (ø6mm), 316 with gravity weight / -50...+200°C
- M PA iso.steel cable ø12mm w.gravity weight / -50...+80°C
- U Cable (ø6mm) w.scr.tube a.gravity weight / -50...+150°C
- V Cable (ø6mm) w.scr.tube a.gravity weight / -50...+200°C

Process fitting / Material

- GS Thread G1½ PN64, DIN3852-A / Steel C22.8 (1.0460)
- GC Thread G1 PN64, DIN3852-A / 316L
- NC Thread 1NPT PN64, ASME B1.20.1 / 316L
- GD Thread G1½ PN64, DIN3852-A / 316L
- ND Thread 1½NPT PN64, ASME B1.20.1 / 316L
- EF Flange DN50 PN40 Form C, DIN2501 / 316L
- KF Flange DN80 PN40 Form C, DIN2501 / 316L
- MF Flange DN100 PN16 Form C, DIN2501 / 316L
- HA Flange 2" 150lb RF, ASME B16.5 / 316L
- OA Flange 3" 150lb RF, ASME B16.5 / 316L
- SA Flange 4" 150lb RF, ASME B16.5 / 316L

Electronics

- C Contactless electronic switch 20...253V AC/DC
- R Relay (DPDT) 20...72V DC / 20...250V AC (3A)
- T Transistor (NPN/PNP) 10...55V DC
- Z Two-wire for connection to VEGATOR 14x

Housing / Protection

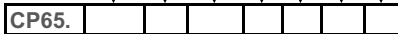
- K Plastic single chamber / IP66/IP67
- A Aluminium single chamber / IP66/IP68 (0.2 bar)
- 8 Stainless steel single chamber (electropolished) / IP66/IP68 (0.2 bar)

Cable entry / Cable gland / Plug connection

- M M20x1.5 / with / without
- N ½NPT / without / without

Additional equipment

- X Without



Length (from seal surface)

316 (400-32000 mm) per 100 mm
 Steel/PA fully insulated (400-32000 mm) per 100 mm

Length screening tube

316L (70-4000 mm) per 100 mm

Insulation length

PTFE (50-1000 mm) per 100 mm

VEGACAP 66

Capacitive cable electrode for level detection

Application area

The VEGACAP 66 is a point level sensor for use in all industries. The fully insulated probe measures liquids as well as bulk solids. The proven construction ensures high functional safety.

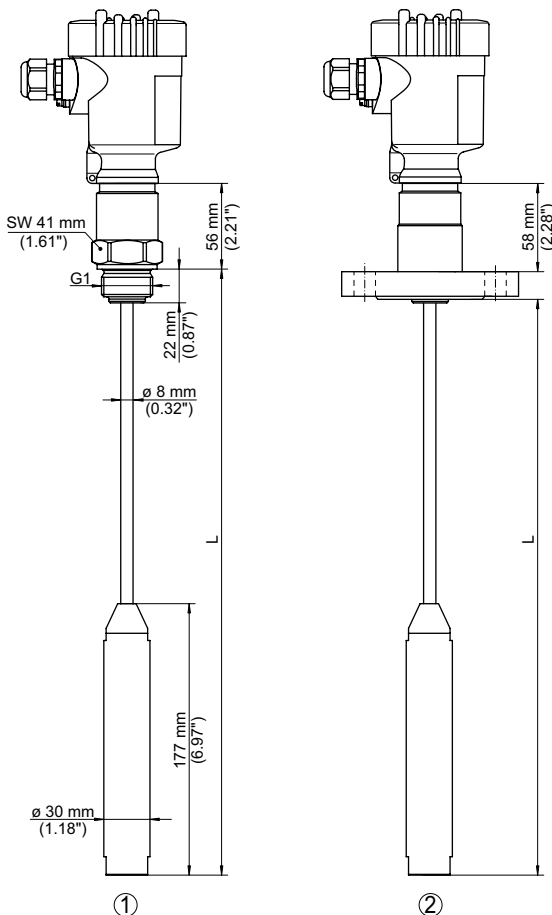
Your benefit

- Long lifetime and reduced maintenance through robust mechanical construction
- Savings through simple mounting and setup
- Simple planning due to variable switching point

Technical data

Version:	fully insulated cable
Measuring range:	up to 32 m
Process fitting:	thread from G1, 1 NPT flanges from DN 50, 2"
Materials:	316L, PTFE, steel
Process temperature:	-50 ... +150 °C
Process pressure:	-1 ... +40 bar (-100 ... +4000 kPa)
SIL qualification:	optionally up to SIL2

Delivery time:  **SPEED**



① Threaded version

② Flange version

L = Probe length

The options shown represent only a limited selection. Additional instrument options and possible restrictions.

www.vega.com/configurator

Instrument documentation and drawings:

www.vega.com/downloads

Mounting accessories, welded sockets and housing overview:

Chapter Accessory

Approval

- XX without
- XM Ship approval
- XA Overfill protection according to WHG
- CX ATEX II 1G, 1/2G, 2G Ex ia IIC T6
- CA ATEX II 1G, 1/2G, 2G Ex ia IIC T6 + WHG
- CM ATEX II 1G, 1/2G, 2G Ex ia IIC T6 + Ship approval
- CI IECEx Ex ia IIC T6
- GI IEC Ex tD A20/21 IP66 T*, A21

Version / Process temperature

- N PTFE insulated cable(ø8mm)w. gravity weight/-50...150°C

Process fitting / Material

- GS Thread G1½ PN40, DIN 3852-A / Steel C22.8 (1.0460)
- GC Thread G1 PN40, DIN3852-A / 316L
- NC Thread 1NPT PN40, ASME B1.20.1 / 316L
- GD Thread G1½ PN40, DIN3852-A / 316L
- ND Thread 1½NPT PN40, ASME B1.20.1 / 316L
- EF Flange DN50 PN40 Form C, DIN2501 / 316L
- KF Flange DN80 PN40 Form C, DIN2501 / 316L
- MF Flange DN100 PN16 Form C, DIN2501 / 316L
- HA Flange 2" 150lb RF, ASME B16.5 / 316L
- OA Flange 3" 150lb RF, ASME B16.5 / 316L
- SA Flange 4" 150lb RF, ASME B16.5 / 316L

Electronics

- C Contactless electronic switch 20...253V AC/DC
- R Relay (DPDT) 20...72V DC / 20...250V AC (3A)
- T Transistor (NPN/PNP) 10...55V DC
- Z Two-wire for connection to VEGATOR 14x

Housing / Protection

- K Plastic single chamber / IP66/IP67
- A Aluminium single chamber / IP66/IP68 (0.2 bar)
- 8 Stainless steel single chamber (electropolished) / IP66/IP68 (0.2 bar)

Cable entry / Cable gland / Plug connection

- M M20x1.5 / with / without
- N ½NPT / without / without

Additional equipment

- X Without

CP66.									
-------	--	--	--	--	--	--	--	--	--

Length (from seal surface)

316/PTFE insulated (400-32000 mm) per 100 mm

VEGACAP 67

Capacitive high temperature electrode for level detection

Application area

The VEGACAP 67 point level sensor can be used universally for bulk solids. The probe is designed for high temperature applications.

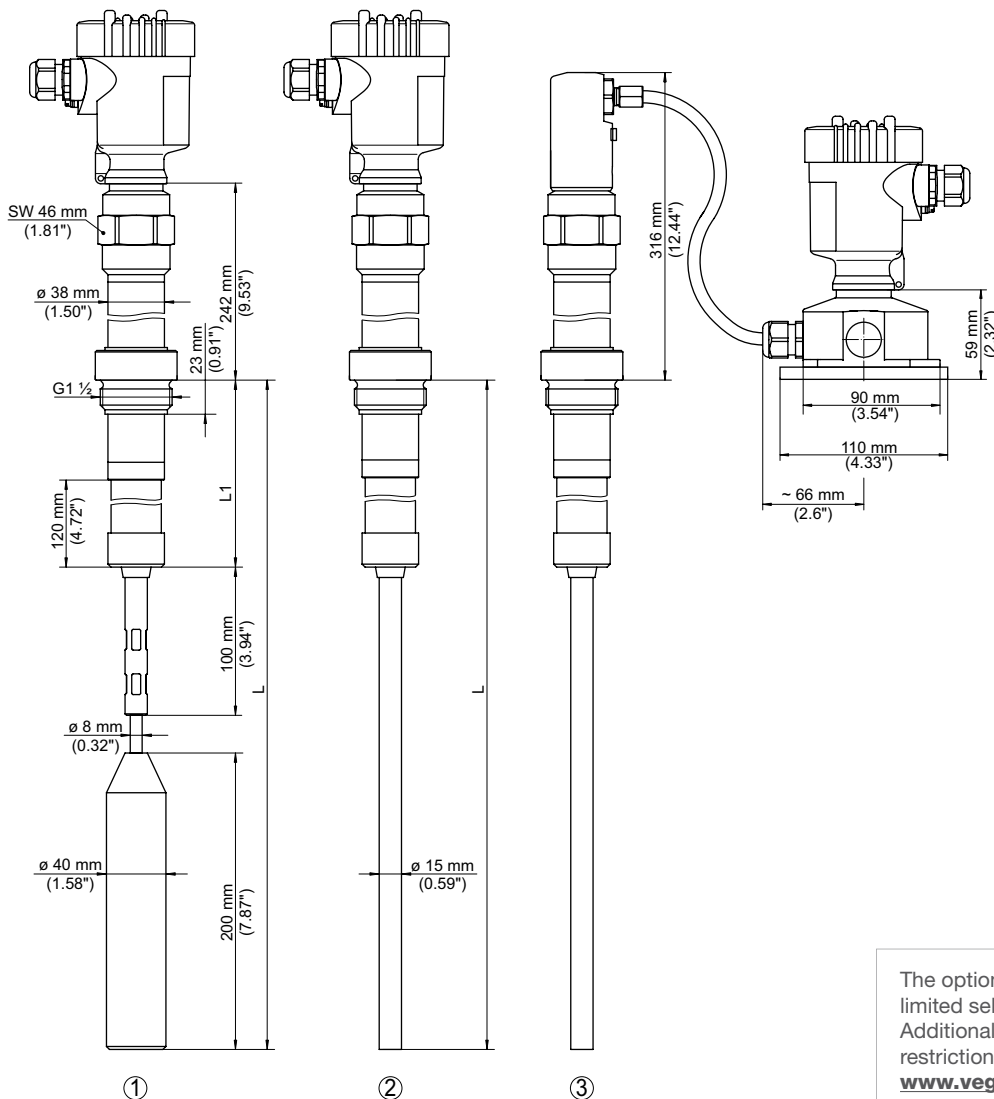
Your benefit

- Universal use in bulk solids through wide temperature range
- Long lifetime and reduced maintenance through robust mechanical construction
- High flexibility through shortenable probe

Technical data

Version:	rod or cable
Measuring range:	up to 6 m or 40 m
Process fitting:	thread from G1½, 1½ NPT flanges from DN 50, 2"
Materials:	316, 316L, ceramic
Process temperature:	-50 ... +400 °C
Process pressure:	-1 ... +16 bar (-100 ... +1600 kPa)

Delivery time: 



- ① Cable version +300 °C
 ② Rod version +300 °C
 ③ Rod version with external housing +400 °C

L = Probe length
 L1 = Supporting tube

The options shown represent only a limited selection. Additional instrument options and possible restrictions.

www.vega.com/configurator

Instrument documentation and drawings:

www.vega.com/downloads

Mounting accessories, welded sockets and housing overview:

Chapter Accessory

Approval

XX without

Version / Process temperature

- 1 Ceramic-insulated rod probe / -50...+300°C
- 2 Ceramic-insulated cable probe / -50...+300°C
- 3 Ceramic-insulated rod probe / -50...+400°C
- 4 Ceramic-insulated cable probe / -50...+400°C
- 5 Ceramic-insul.cable probe w.crimping sleeve/-50...300°C
- 7 Insulated cable probe w.crimping sleeve/-50...400°C

Process fitting / Material

- GD** Thread G1½ PN16, DIN 3852-A / 316L
- ND** Thread 1½NPT PN16, ASME B1.20.1 / 316L
- EF** Flange DN50 PN40 Form C, DIN2501 / 316L
- KF** Flange DN80 PN40 Form C, DIN2501 / 316L
- MF** Flange DN100 PN16 Form C, DIN2501 / 316L
- HA** Flange 2" 150lb RF, ASME B16.5 / 316L
- OA** Flange 3" 150lb RF, ASME B16.5 / 316L
- SA** Flange 4" 150lb RF, ASME B16.5 / 316L

Electronics

- C** Contactless electronic switch 20...253V AC/DC
- R** Relay (DPDT) 20...72V DC / 20...250V AC (3A)
- T** Transistor (NPN/PNP) 10...55V DC
- Z** Two-wire for connection to VEGATOR 14x

Housing / Protection

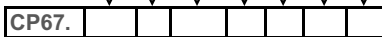
- K** Plastic single chamber / IP66/IP67
- A** Aluminium single chamber / IP66/IP68 (0.2 bar)
- 8** Stainless steel single chamber (electropolished) / IP66/IP68 (0.2 bar)
- B** Cable outlet IP68 with external plastic single chamber housing / IP66/IP67

Cable entry / Cable gland / Plug connection

- M** M20x1.5 / with / without
- N** ½NPT / without / without

Additional equipment

- X** Without



Length (from seal surface)

Rod 316L (275-6000 mm) per 100 mm
 Cable 316L (500-40000 mm) per 100 mm

VEGACAP 69

Capacitive double rod electrode for level measurement

Application area

The VEGACAP 69 is a point level sensor for aggressive liquids in non-conductive vessels. The double rod probe is fully insulated and highly resistant.

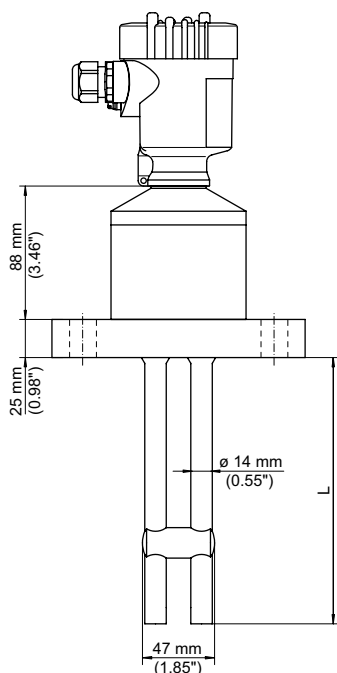
Your benefit

- Low mounting expenditure through compact double rod version
- Long lifetime and low maintenance due to high resistance materials
- Simple use in non-conductive vessels due to ground rod

Technical data

Version:	double rod
Measuring range:	up to 4 m
Process fitting:	flanges from DN 50, 2"
Materials:	PTFE, PP, FEP
Process temperature:	-50 ... +100 °C
Process pressure:	-1 ... +2 bar (-100 ... +200 kPa)
SIL qualification:	optionally up to SIL2

Delivery time:  **SPEED**



L = Probe length

The options shown represent only a limited selection. Additional instrument options and possible restrictions.

www.vega.com/configurator

Instrument documentation and drawings:

www.vega.com/downloads

Mounting accessories, welded sockets and housing overview:

Chapter Accessory

Approval

- XX** without
- CX** ATEX II 1G, 1/2G, 2G Ex ia IIC T6

Version / Process temperature

- 1** FEP isolation / 0...+60°C
- 2** FEP isolation / -40...+100°C

Process fitting / Material

- PA** Flange DN50 PN16 / PP
- TA** Flange DN50 PN16 / PTFE
- PC** Flange DN80 PN16 / PP
- TC** Flange DN80 PN16 / PTFE
- PD** Flange DN100 PN16 / PP
- TD** Flange DN100 PN16 / PTFE
- PE** Flange DN125 PN16 / PP
- TE** Flange DN125 PN16 / PTFE
- PK** Flange 2" 150lb / PP
- TK** Flange 2" 150lb / PTFE
- TN** Flange 2½" 150lb / PTFE
- PL** Flange 3" 150lb / PP
- TL** Flange 3" 150lb / PTFE
- PM** Flange 4" 150lb / PP
- TM** Flange 4" 150lb / PTFE

Electronics

- C** Contactless electronic switch 20...253V AC/DC
- R** Relay (DPDT) 20...72V DC / 20...250V AC (3A)
- T** Transistor (NPN/PNP) 10...55V DC
- Z** Two-wire for connection to VEGATOR 14x

Housing / Protection

- K** Plastic single chamber / IP66/IP67

Cable entry / Cable gland / Plug connection

- M** M20x1.5 / with / without
- N** ½NPT / without / without



Length (from seal surface)

per 100 mm of FEP isolation (200-4000 mm)

VEGACAP 27

Adjustment-free, capacitive rod probe for level detection of adhesive products

Application area

The VEGACAP 27 is an adjustment-free, capacitive level switch for liquids. Typical applications are overflow and dry run protection for adhesive as well as conductive liquids. The probe operates in liquids with a dielectric constant from 1.5.

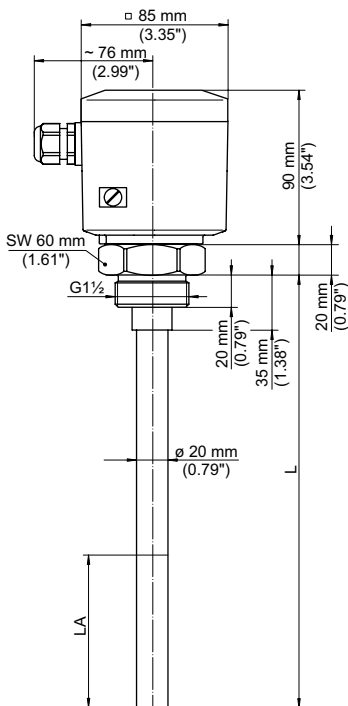
Your benefit

- Minimum time and cost expenditure thanks to simple setup without medium
- Exact switching point even with strong buildup
- Long lifetime and low maintenance due to robust mechanical construction

Technical data

Version:	fully insulated rod
Measuring range:	up to 4 m
Process fitting:	thread from G1, 1 NPT Clamp 1½"
Material:	steel, 316Ti, PTFE, PFA
Process temperature:	-50 ... +200 °C
Process pressure:	-1 ... +63 bar (-100 ... +6300 kPa)

Delivery time:  **SPEED**



L = Probe length

LA active length (50 ... 150 mm)

Approval

- Without
- A Overfill protection according to WHG

Process fitting / Material

- GBA** Thread G1½, DIN3852-A / Aluminium
- GBS** Thread G1½, DIN 3852-A / Steel C22.8 (1.0460)
- GBV** Thread G1½, DIN3852-A / 316Ti
- GAV** Thread G1, DIN3852-A / 316Ti
- NBS** Thread 1½NPT, ASME B1.20.1 / Steel C22.8 (1.0460)
- NBV** Thread 1½NPT, ASME B1.20.1 / 316Ti
- TBV** Clamp 1½" / 316Ti
- TCV** Clamp 2" / 316Ti
- RCV** Slotted nut DN50 / 316Ti

Material rod / Isolation

- ST** Steel C22.8 (1.0460) / PTFE
- VT** 316Ti (1.4571) / PTFE

Screening tube against condensation

- without

Adapter (from +100°C with temperature adapter)

- without
- 1** Temperature up to +200°C / galvanized steel
- 2** Temperature up to +200°C / 316Ti (1.4571)

Housing / Protection

- P** Plastic / IP66/IP67
- O** Plastic / IP66 with test switch
- M** Aluminium / IP66/IP67
- N** Aluminium / IP66/IP67 with test switch

Electronics

- D** Relay (DPDT) 20...72V DC/20...250V AC (5A)



Total length L in mm

Steel/PTFE fully insulated (250-4000 mm) per 100 mm

VEGACAP 35

Adjustment-free, capacitive cable probe for level detection

Application area

The VEGACAP 35 is an adjustment-free, capacitive level switch for bulk solids. Typical applications are overflow and dry run protection. The probe operates in products from a dielectric constant of 1.5.

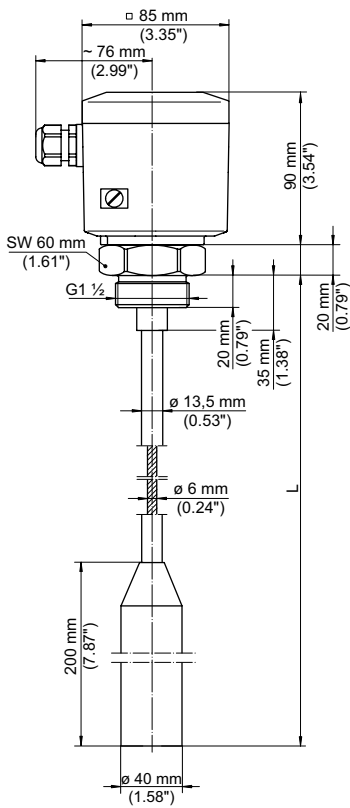
Your benefit

- Minimum time and cost expenditure thanks to simple setup without medium
- Exact switching point even with strong buildup or condensation
- High flexibility through shortenable probe

Technical data

Version:	isolated cable
Measuring range:	up to 20 m
Process fitting:	thread from G1½, 1½ NPT
Process temperature:	-40 ... +80 °C
Process pressure:	-1 ... +16 bar (-100 ... +1600 kPa)

Delivery time:  **SPEED**



L = Probe length

Approval

- Without
- A Overfill protection according to WHG

Process fitting / Material

- GBA** Thread G1½, DIN3852-A / Aluminium
- GBS** Thread G1½, DIN3852-A / Steel C22.8 (1.0460)
- GBV** Thread G1½, DIN3852-A / 316Ti
- NBS** Thread 1½NPT, ASME B1.20.1 / Steel C22.8 (1.0460)
- NBV** Thread 1½NPT, ASME B1.20.1 / 316Ti

Material cable

- S** Steel

Material insulation

- E** PE/PA 12

Screening tube

- without

Adapter

- without

Gravity weight

- S** Gravity weight (200mm) / Steel C22.8 (1.0460)
- V** Gravity weight (200mm) / 316Ti (1.4571)

Housing / Protection

- P** Plastic / IP66/IP67
- O** Plastic / IP66 with test switch
- M** Aluminium / IP66/IP67
- N** Aluminium / IP66/IP67 with test switch

Electronics

- D** Relay (DPDT) 20...72V DC/20...250V AC (5A)

CAP35																			
-------	--	--	--	--	--	--	--	--	--	--	--	--	--	--	--	--	--	--	--

Cable length in mm

Steel/PE/PA12 fully insulated (400-20000 mm) per 1000 mm

VEGACAP 98

Adjustment-free, capacitive rod probe for level detection

Application area

The VEGACAP 98 is an adjustment-free, economical level switch for liquids and bulk solids. It is particularly suitable as overflow protection or dry run protection system in adhesive, conductive products. The VEGACAP 98 works in products from a dielectric constant of 1.5. The process fitting is a G1½ thread.

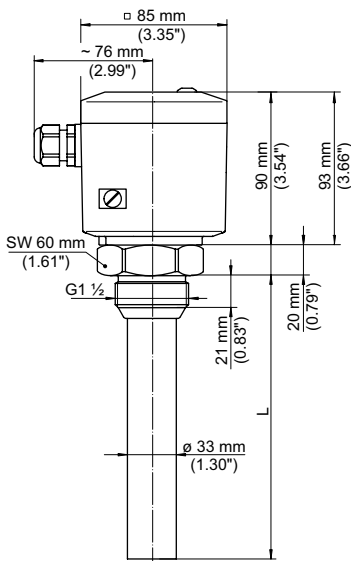
Your benefit

- Minimum time and cost expenditure thanks to simple setup without medium
- Exact switching point even with strong buildup
- Long lifetime and low maintenance due to robust mechanical construction

Technical data

Version:	fully insulated rod
Measuring range:	up to 2 m
Process fitting:	thread from G1½
Material:	PP
Process temperature:	-40 ... +80 °C
Process pressure:	unpressurized operation

Delivery time:  **SPEED**



L = Probe length

Approval

X Without

A Overfill protection according to WHG

Housing / Protection

P Plastic / IP66/IP67

O Plastic / IP66 with test switch

M Aluminium / IP66/IP67

N Aluminium / IP66/IP67 with test switch

Length

X Standard (200 mm)

Y Special length (150-2000 mm)

Electronics

D Relay (DPDT) 20...72V DC/20...250V AC (5A)

Application area

S Solids

F Liquid

CAP98

--	--	--	--	--	--

Electrode length in mm
PP (150-2000 mm) per 100 mm