

L1105

Luminaires For Use In Hazardous Locations



CID2
Group
A, B, C, D

CIID1
Group
E, F, G

IP67

NEMA 6

Protection

- Class I, Division 2 Group A, B, C, D
- Class II, Division 1 Group E, F, G
- Class III

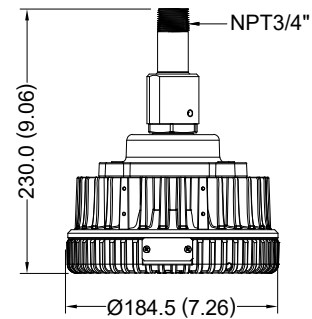
Standards

- UL 844
- UL 1598 Luminaires
- UL 8750
- CSA C22.2 No. 137-M1981
- CSA C22.2 No. 30-M1986
- CSA C22.2 No. 25-1996
- CSA C22.2 No. 250.0
- CSA C22.2 No. 250.13

Net Weight: 4.5 kg (9.9 lb)

Technical Data

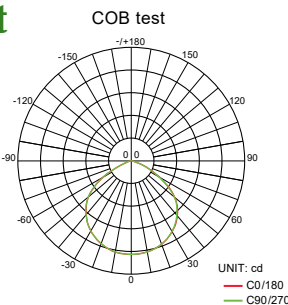
| | | | |
|----------------------|--|--------|--------|
| Rated Voltage (±10%) | COB: 24V / 120V / 277V / 480V, DOB: 120V / 277V, SMD: 120V / 277V AC | | |
| Watts (±10%) | 40W / 60W (Watts of 24V are different, please contact us for details.) | | |
| Amps | COB: 40W 24V: 1.67A, 120V: 0.33A, 277V: 0.14A, 480V: 0.08A / 60W 24V: 2.50A, 120V: 0.50A, 277V: 0.22A, 480V: 0.13A DOB: 40W 120V: 0.33A, 277V: 0.14A / 60W 120V: 0.50A, 277V: 0.22A SMD: 40W 120V: 0.33A, 277V: 0.14A / 60W 120V: 0.50A, 277V: 0.22A | | |
| Color of LED Light | 3000K (Warm White) / 5000K (Cool White) | | |
| Ambient Temperature | CID2: -40°C ~ +40°C, T3C / CIID1: +40°C, T4 | | |
| Power Factor | cos ≥ 0.9, cos ≥ 0.87 (480V) | | |
| CRI | Cool White ≥ 70 / Warm White ≥ 80 | | |
| Lumen (±10%) | | 40W | 60W |
| | 3000K | 3800lm | 5700lm |
| | 5000K | 4000lm | 6000lm |
| Beam Angle | X-110° / Y-110° | | |
| Frequency | 50 / 60 Hz | | |
| Degree of Protection | IP67 / NEMA 6 | | |
| Material | <ul style="list-style-type: none"> • Enclosure Aluminum alloy • Glass Tempered glass | | |
| LED Service Life | 60,000 hrs | | |
| Entrance Thread | 1 × NPT 3/4" | | |



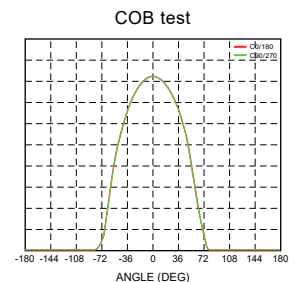
Dimension in Millimeters (inches)

Optical Report

Polar Luminous Intensity Distribution



Luminous Intensity Distribution Diagram

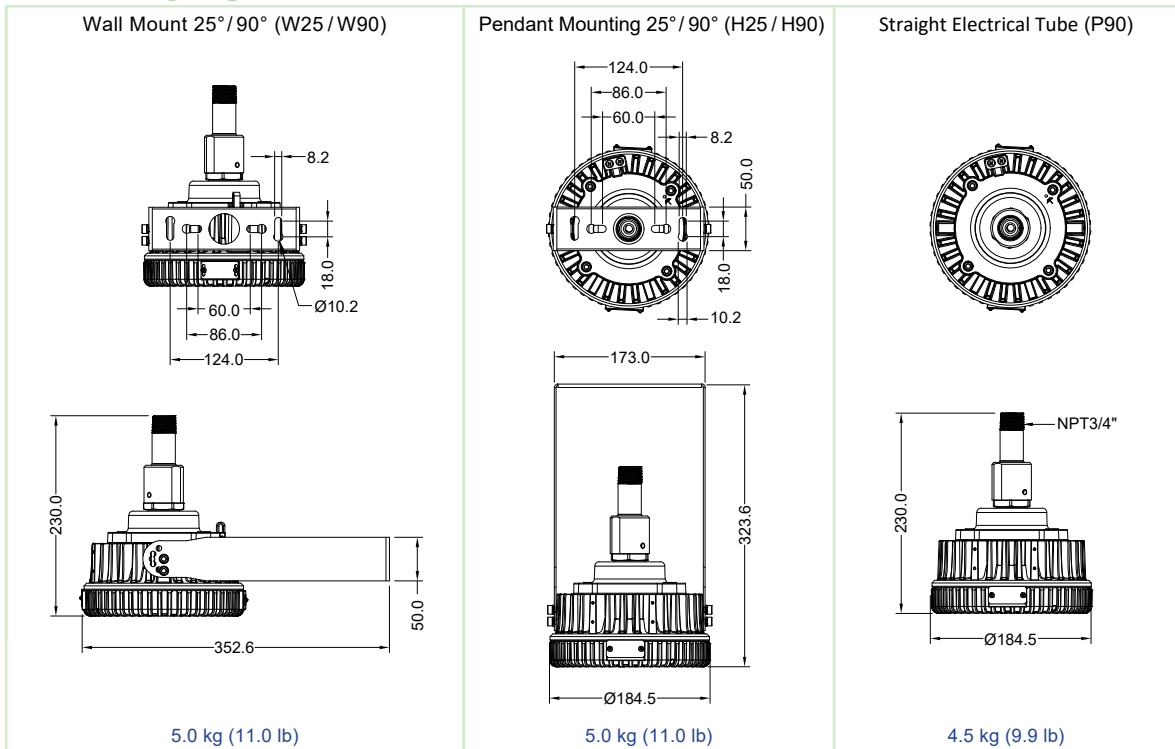


Model Code

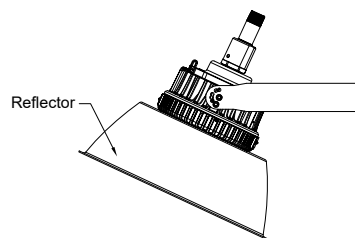
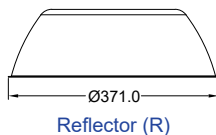
| | | | | | | | | | | |
|------------|----------|-------------|----------|----------|----------|----------|----------|-----------|------------|----------|
| THT | E | 1105 | Z | B | A | C | 9 | F0 | P90 | R |
| | | | | | ① | ② | ③ | ④ | ⑤ | ⑥ |

- | | | | | |
|--|--|---|---|---|
| <p>① Type of LED Model A=DOB LED Module B=COB LED Module K=SMD LED Module</p> <p>② C.C.T. C=Cool White W=Warm White</p> | <p>③ Voltage 6=120V 9=277V C=480V 3=24V</p> | <p>④ Wattage D0=40W F0=60W</p> | <p>⑤ Mounting Bracket Type W25/90=Wall mount 25°/90° H25/90=Pendant 25°/90° P90=Straight Electrical Tube Pan= Pan Mounting PAN=Pan Mounting - C Brand PANA=Pan Mounting - A Brand PANK=Pan Mounting - K Brand</p> | <p>⑥ Optional Accessory R=Reflector (Keep the code blank if no accessory is needed.)</p> |
|--|--|---|---|---|

Mounting Option & Dimensions (All in mm)



Optional Accessory



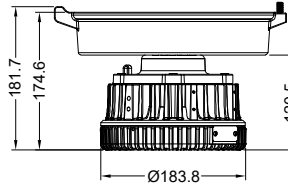
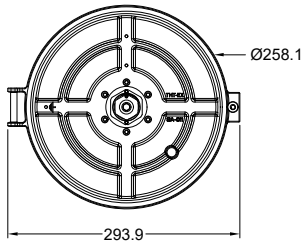
Applicable Area

- Oil Refinery Complex
- Painting Facility
- Transporting Liquefied
- Offshore Platform
- Petrochemical Complex
- Transporting Nature Gas
- Petroleum Gas
- (Oil and Natural Gas)

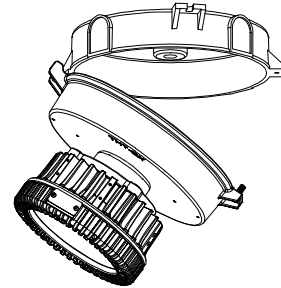
Pan Mounting Option & Dimensions (All in mm)

Retrofit Kit for C Brand

(PAN)



Installation Diagram

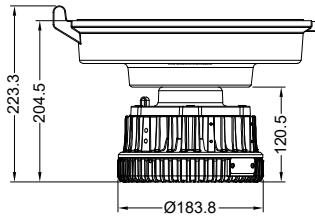
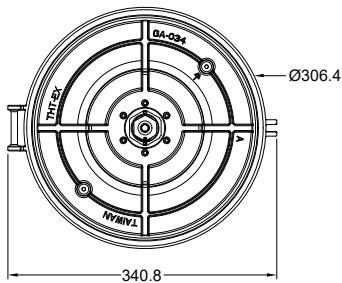


*Top hat is not included when placing order for retrofit pan.

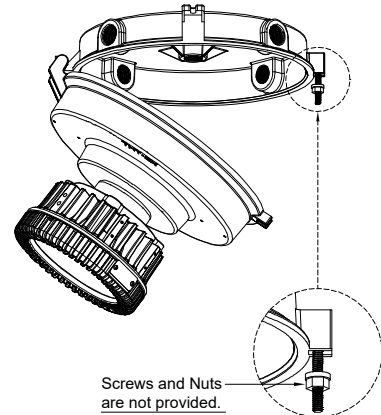
5.5 kg (12.1 lb)

Retrofit Kit for A Brand

(PANA)



Installation Diagram



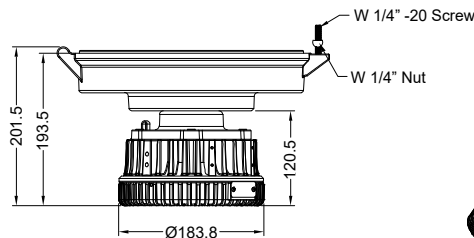
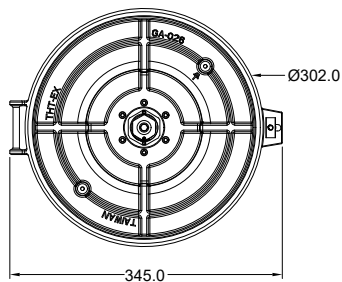
Screws and Nuts are not provided.

*Top hat is not included when placing order for retrofit pan.

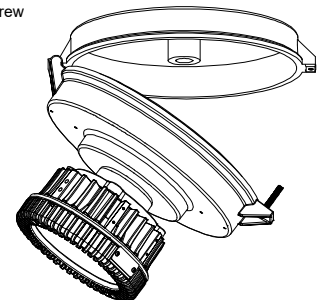
5.8 kg (12.8 lb)

Retrofit Kit for K Brand

(PANK)



Installation Diagram



*Top hat is not included when placing order for retrofit pan.

6.0 kg (13.2 lb)