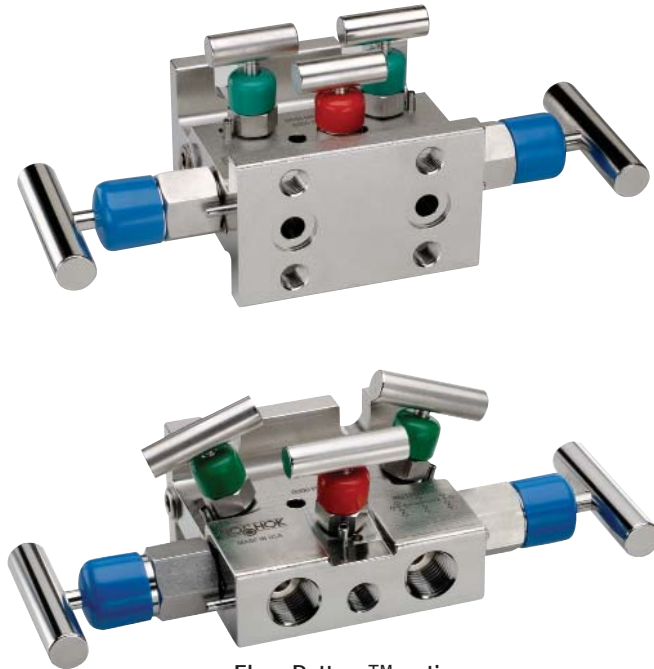


Soft Seat/Tip (0.375" Orifice)

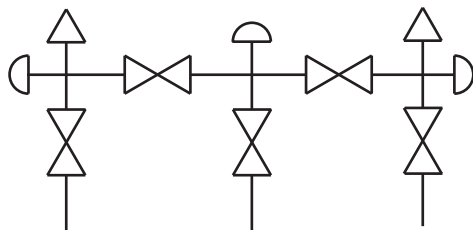
5530 SERIES



Flare Pattern™ option



Flow Schematic



- Designed for use with differential pressure transmitters incorporating two isolation valves, two equalizing valves and a vent valve in natural gas applications
- Flare Pattern™ valve configuration provides maximum clearance for fingers during operation
- Soft tip valves feature a patented Delrin® non-rotating soft tip stem, and a back-up metal-to-metal seal (**U.S. Patent 6,820,857**)
- Non-rotating stem tip standard on large bore shut-off valves
- Available in block, single flange, or double flange connection for remote or direct installation
- 100% helium leak tested to 1×10^{-4} ml/s for guaranteed performance and reliability
- Soft seat design has 6,000 psi pressure rating @ 200 °F
- Features a replaceable Delrin® seat, and straight through porting for bidirectional, high capacity flow and easy roddable cleaning on the block valves
- Blow-out proof stem provides a secondary stem seal in the full open position
- FKM o-ring seal and PTFE back-up ring below the stem threads to protect from corrosion and galling
- All stems are 316 stainless steel
- All stem threads are rolled for strength and ease of operation
- One-piece bonnet with a metal-to-metal seal to the valve body below the bonnet threads
- Slotted spring pin to prevent accidental loosening
- Vinyl dust caps for bonnets and stems

SPECIFICATIONS

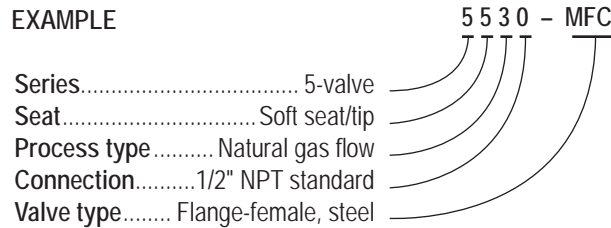
Materials	Zinc-nickel plated steel, electropolished 316 stainless steel
Connections	Flange-flange 1/2" NPT-flange 1/2" NPT-1/2" NPT
Pressure ratings	6,000 psi @ 200 °F
Orifice size	0.375"
Flow coefficient	C _v 3.0
Stem seal & type	All 316 stainless steel stems with FKM o-ring and PTFE back-up ring below the threads
Additional features	Two static (test) ports, color coded vinyl bonnet and stem dust cap, patented soft tip stem design on equalizing and vent valves
Weight	Approximately 5.8 lb. without flange Approximately 7.5 lb. with flange

NOTE: All NOSHOK valve products conform to the MSS SP-99 instrument valves standards, and valves supplied with packing also conform to MSS SP-132 compression packing systems for instrument valves standard.

ORDERING INFORMATION			
SERIES	5	5-valve	
SEAT	5	Soft seat/tip 0.375" orifice	
PROCESS TYPE	3	Natural gas flow	
CONNECTION	0	1/2" NPT standard or flange	
VALVE TYPES	MFC	Flange-Female, Steel	MFS Flange-Female, Stainless Steel
	FFC	Female-Female, Steel	FFS Female-Female, Stainless Steel
		MMC Flange-Flange, Steel	MMS Flange-Flange, Stainless Steel

Please consult your local NOSHOK Distributor or NOSHOK, Inc. for availability and delivery information.

EXAMPLE



To meet all of your specific application requirements, the following additional options are available for these manifold valves. To order all or any of these options, simply add them to the part number as follows:

ORDERING INFORMATION - ADDITIONAL OPTIONS			
BODY CONFIGURATION	FP	Flare Pattern™	
SOFT SEATS	PK1	PEEK	KF1 PCTFE
O-RINGS*	EM1	EPDM	KZ1 FFKM (Kalrez® 3018 or equivalent) NB1 NBR
HANDLES	HL3	1" Round knurled	HL4 1-3/8" Phenolic

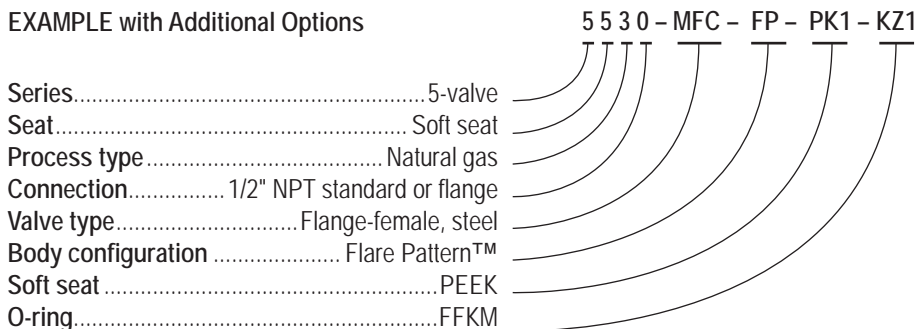
Please consult your local NOSHOK Distributor or NOSHOK, Inc. for availability and delivery information.

* Other o-ring materials available on request.

Please note that the standard o-ring in all the NOSHOK valves is FKM and the standard handles are isolation "T" handles (HL8) and equalizing/vent 1-3/8" mini "T" handles (HL7).

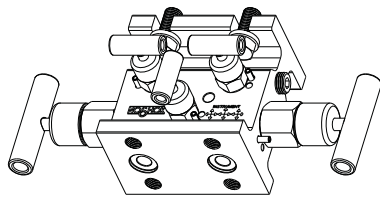
The handle material will always match the material of the valve, unless otherwise specified. For example, the "T" handle on the 5530-MFC will be steel. When only the standard configuration is needed, no additional designations are necessary. Please consult the factory for special application requests.

EXAMPLE with Additional Options

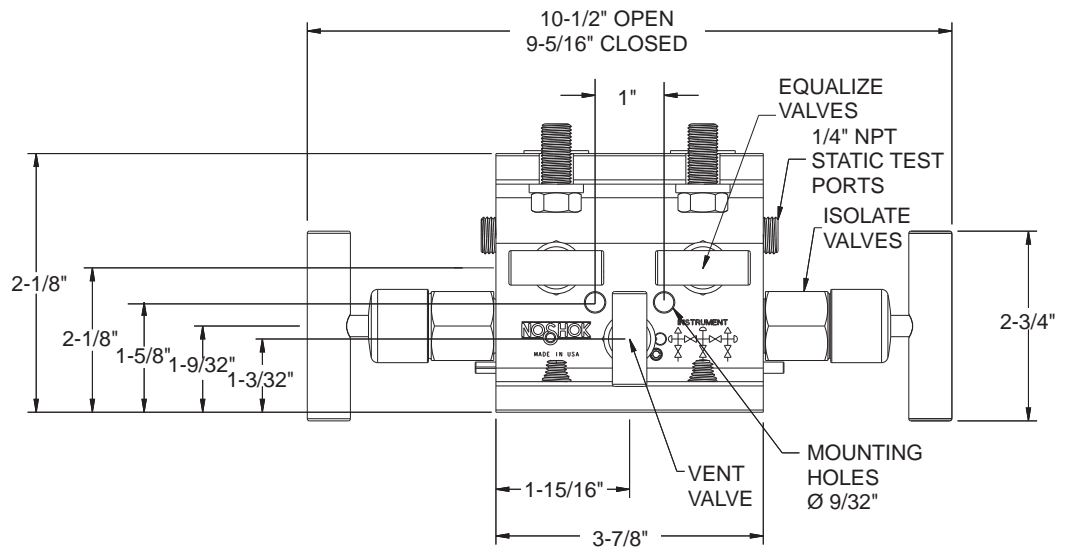


Dimensions

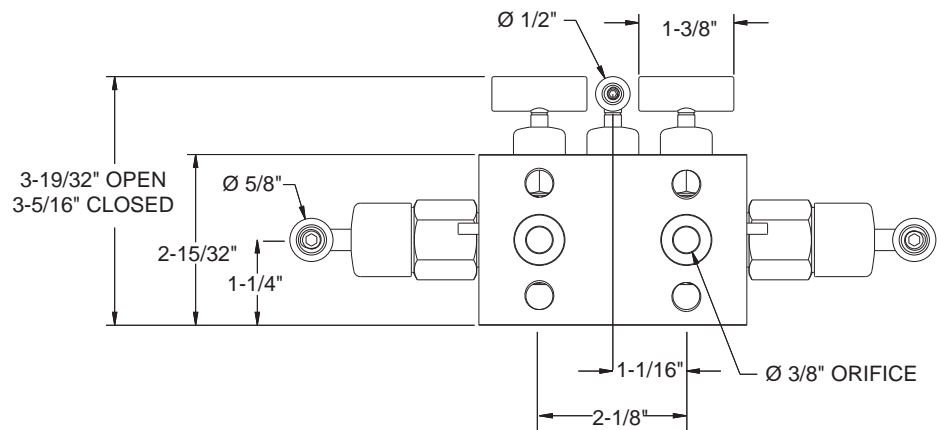
Flange-Flange



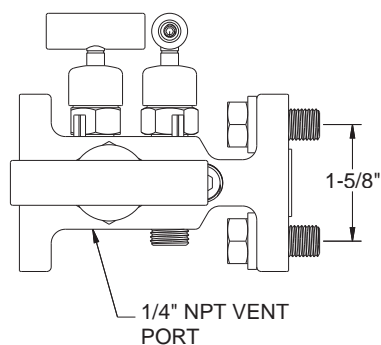
Top View



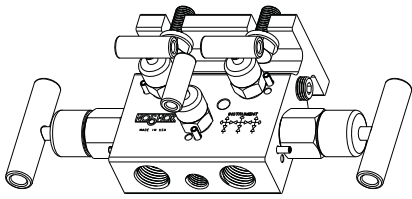
Front View



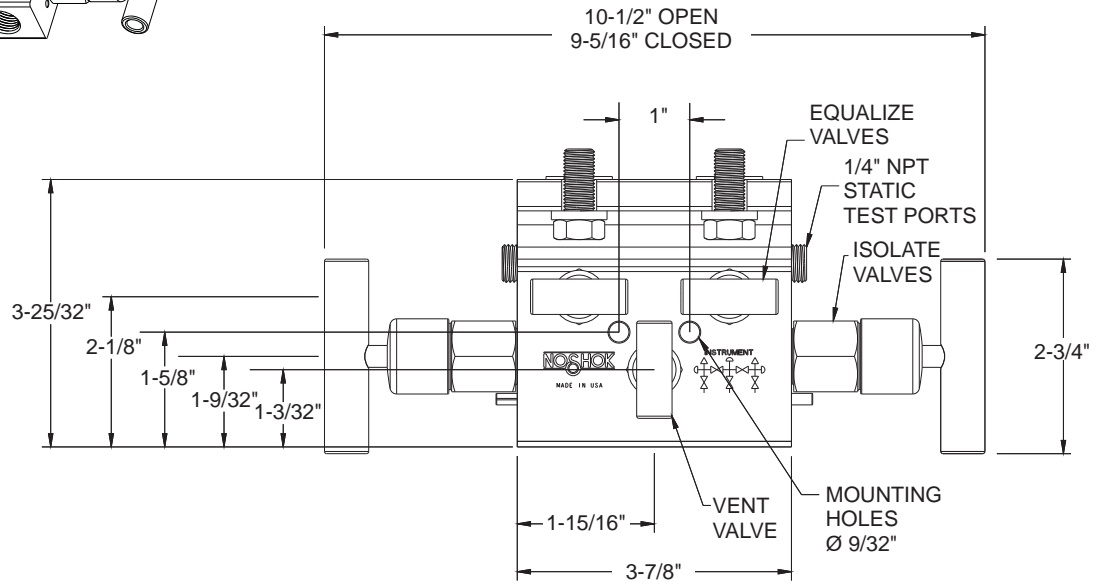
Side View



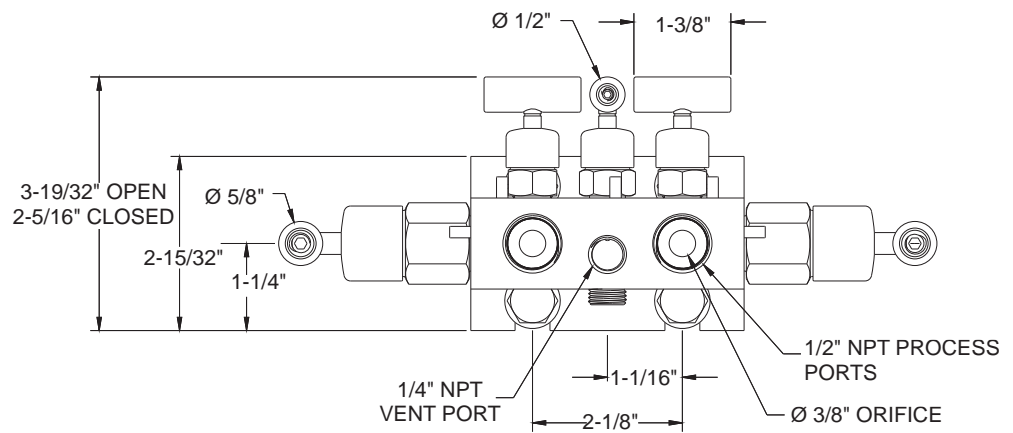
Flange-Female



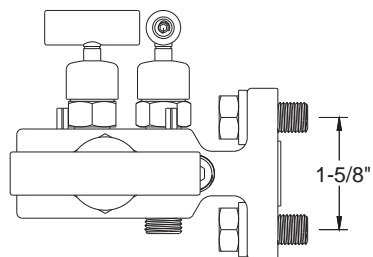
Top View



Front View

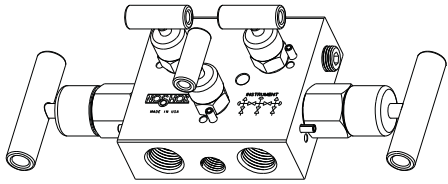


Side View

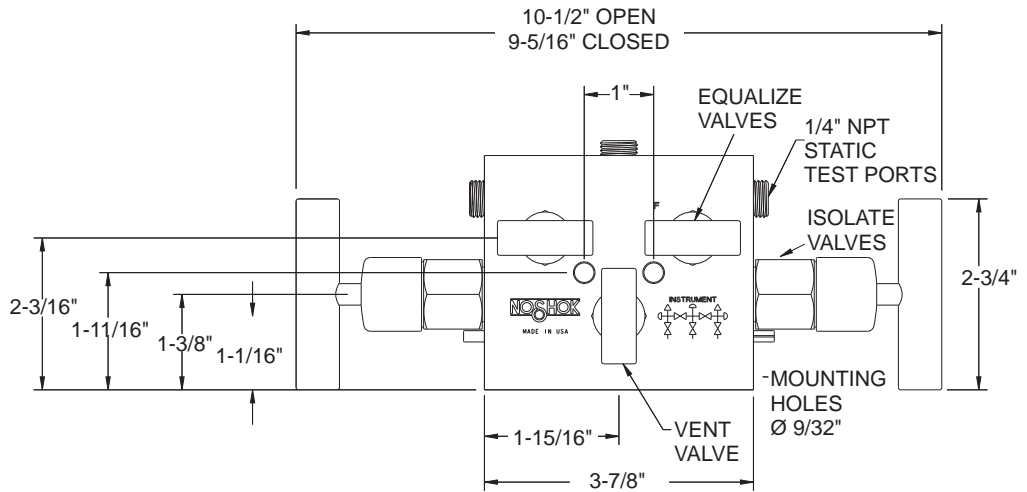


Dimensions

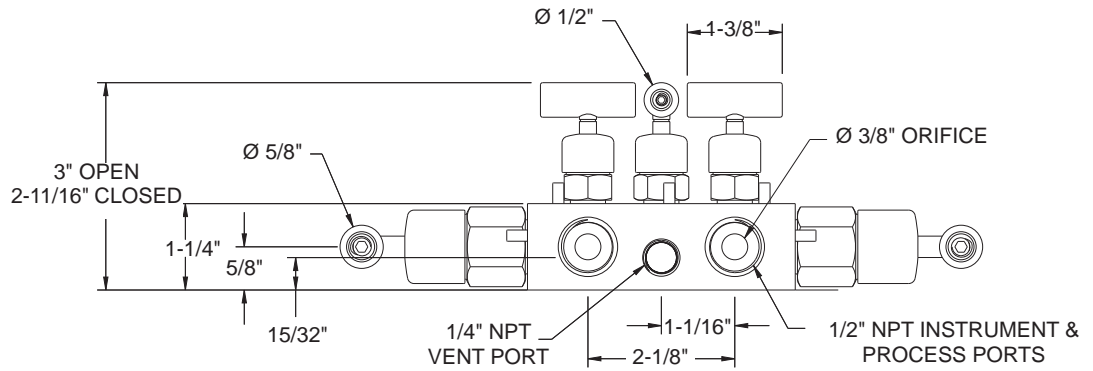
Female-Female



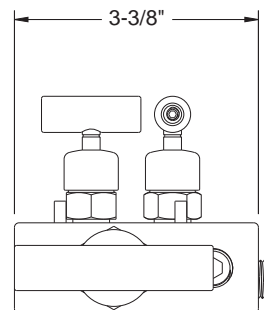
Top View



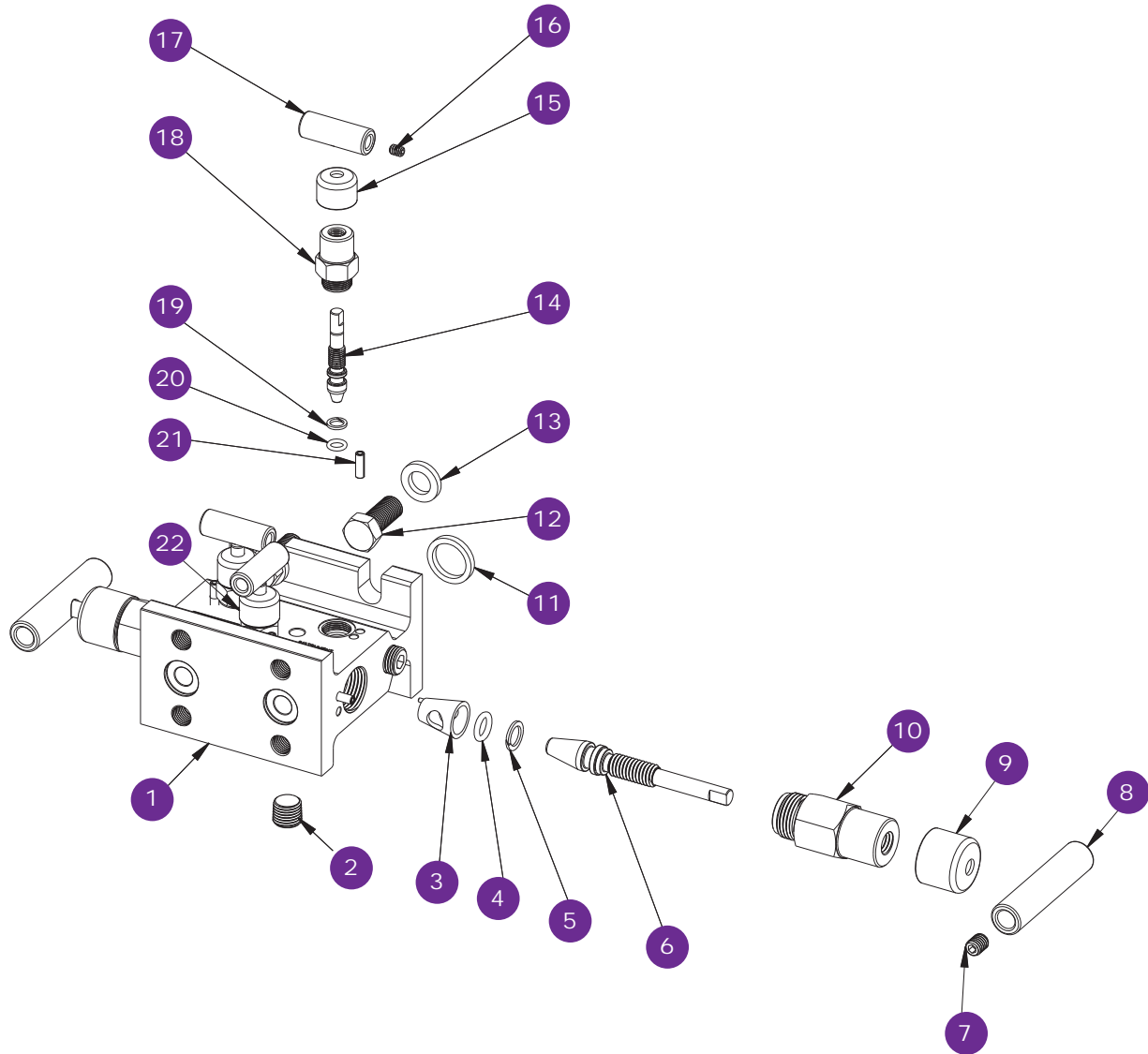
Front View



Side View



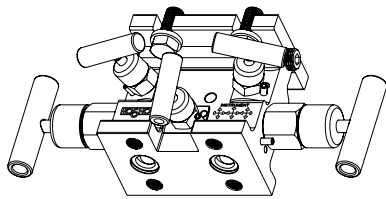
For panel mount and packing dimensions, see pgs. 64-65.



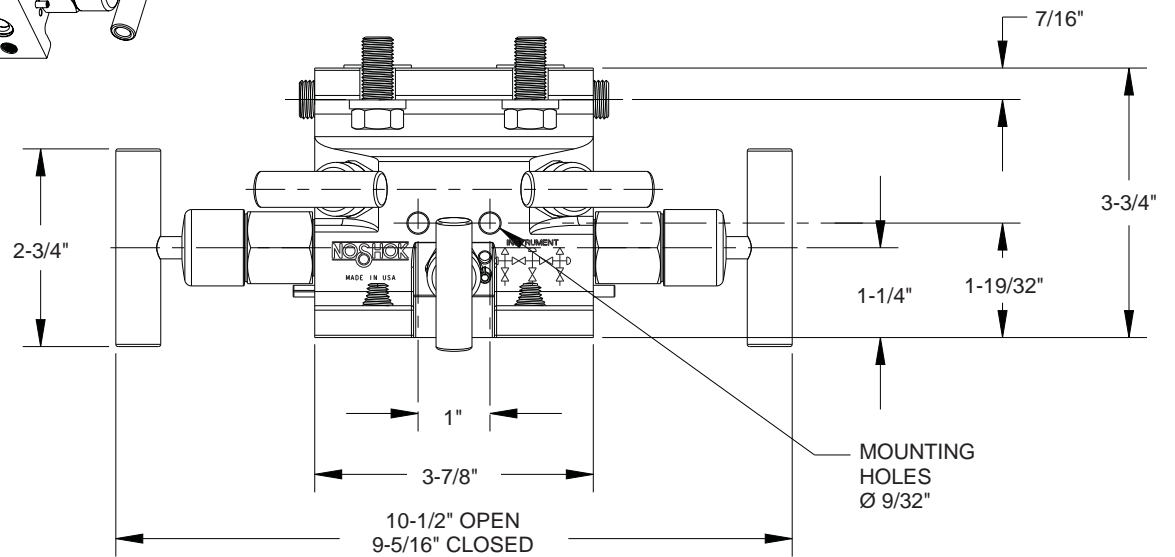
- | | |
|---------------------|--------------------------|
| 1 Valve body | 12 Head bolt |
| 2 Plug | 13 Washer |
| 3 Delrin® seat | 14 Soft tip stem |
| 4 FKM o-ring | 15 Green dust cap |
| 5 PTFE back-up ring | 16 Set screw |
| 6 Non-rotating stem | 17 Mini valve "T" handle |
| 7 Set screw | 18 Mini valve bonnet |
| 8 Valve "T" handle | 19 PTFE back-up ring |
| 9 Blue dust cap | 20 FKM o-ring |
| 10 Valve bonnet | 21 Slotted spring pin |
| 11 Gasket ring | 22 Red dust cap |

Dimensions

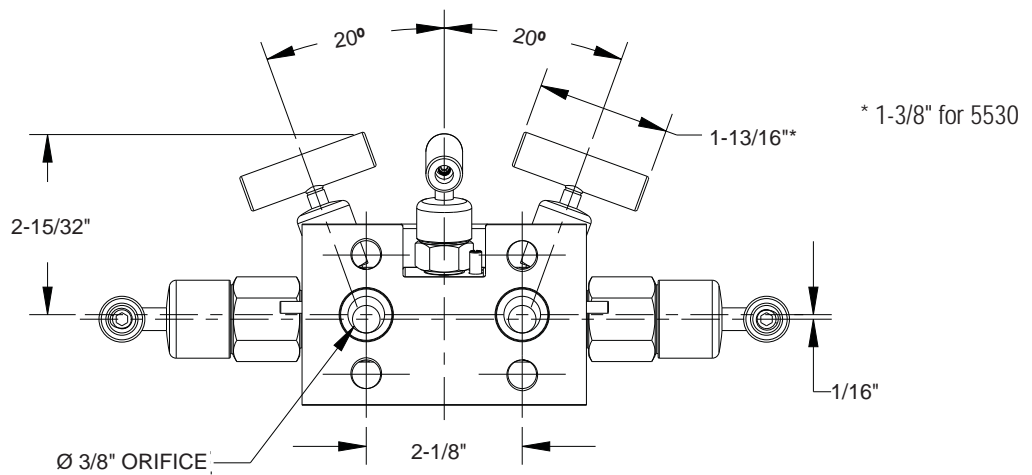
Flare Pattern™ Flange-Flange



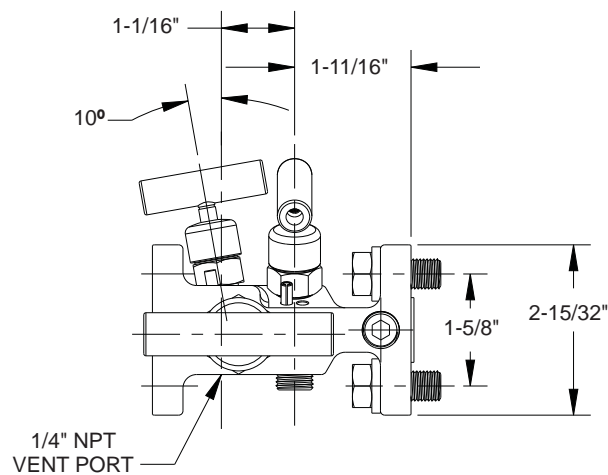
Top View



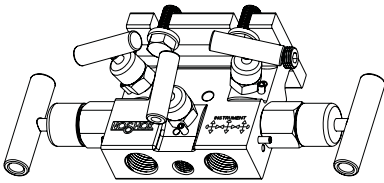
Front View



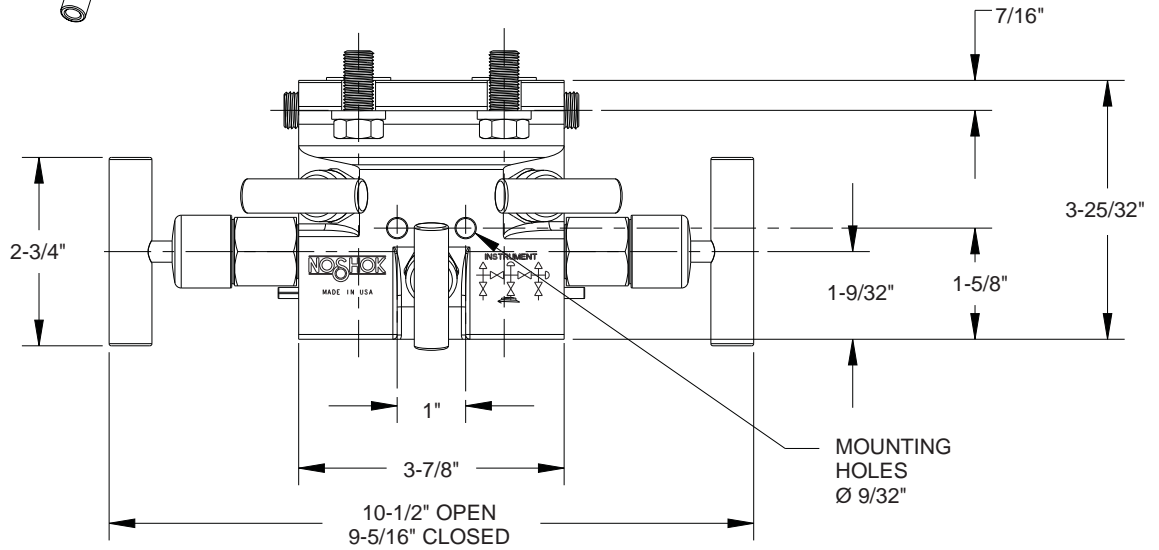
Side View



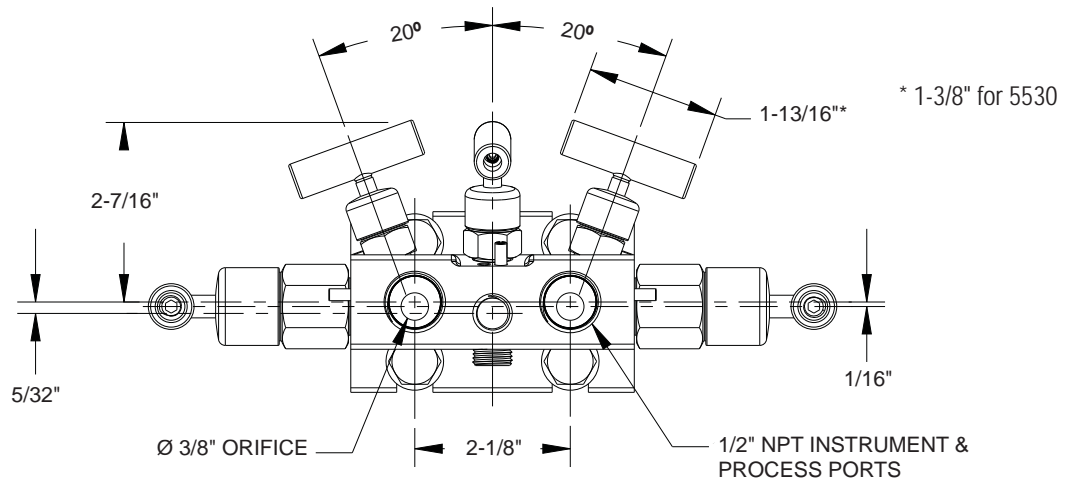
Flare Pattern™ Flange-Female



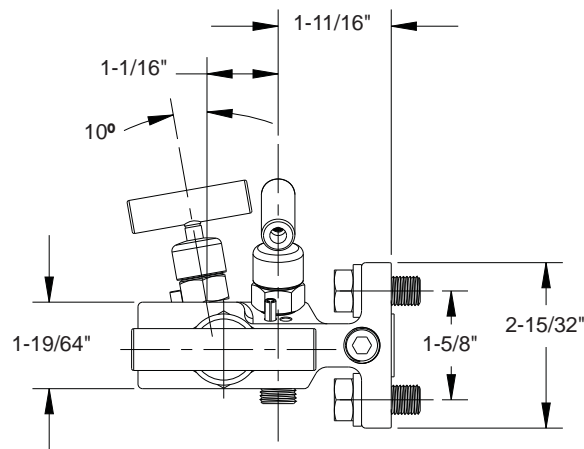
Top View



Front View

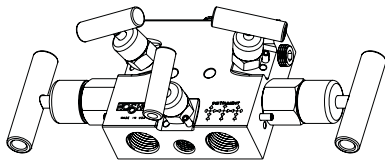


Side View

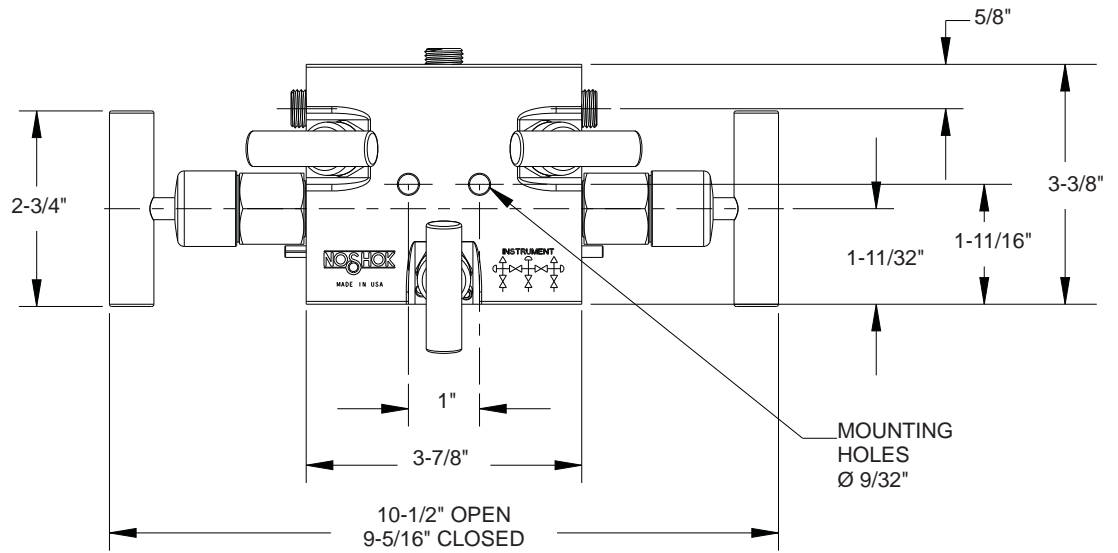


Dimensions

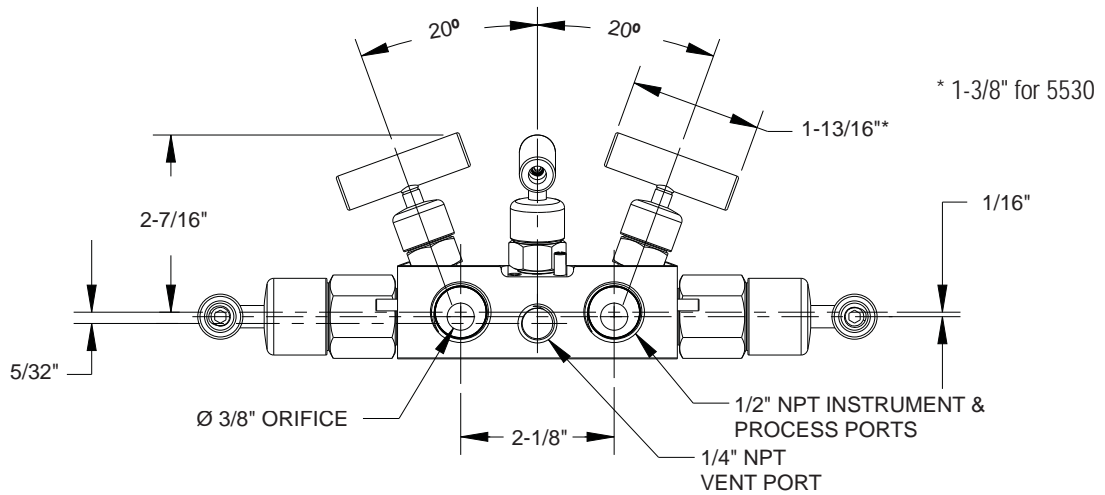
Flare Pattern™ Female-Female



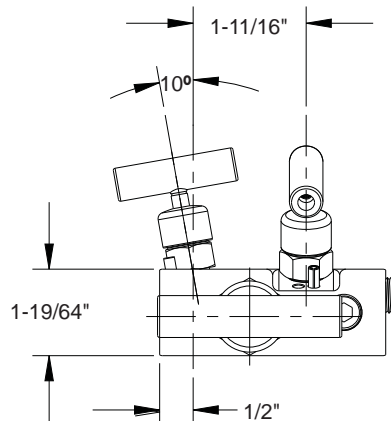
Top View

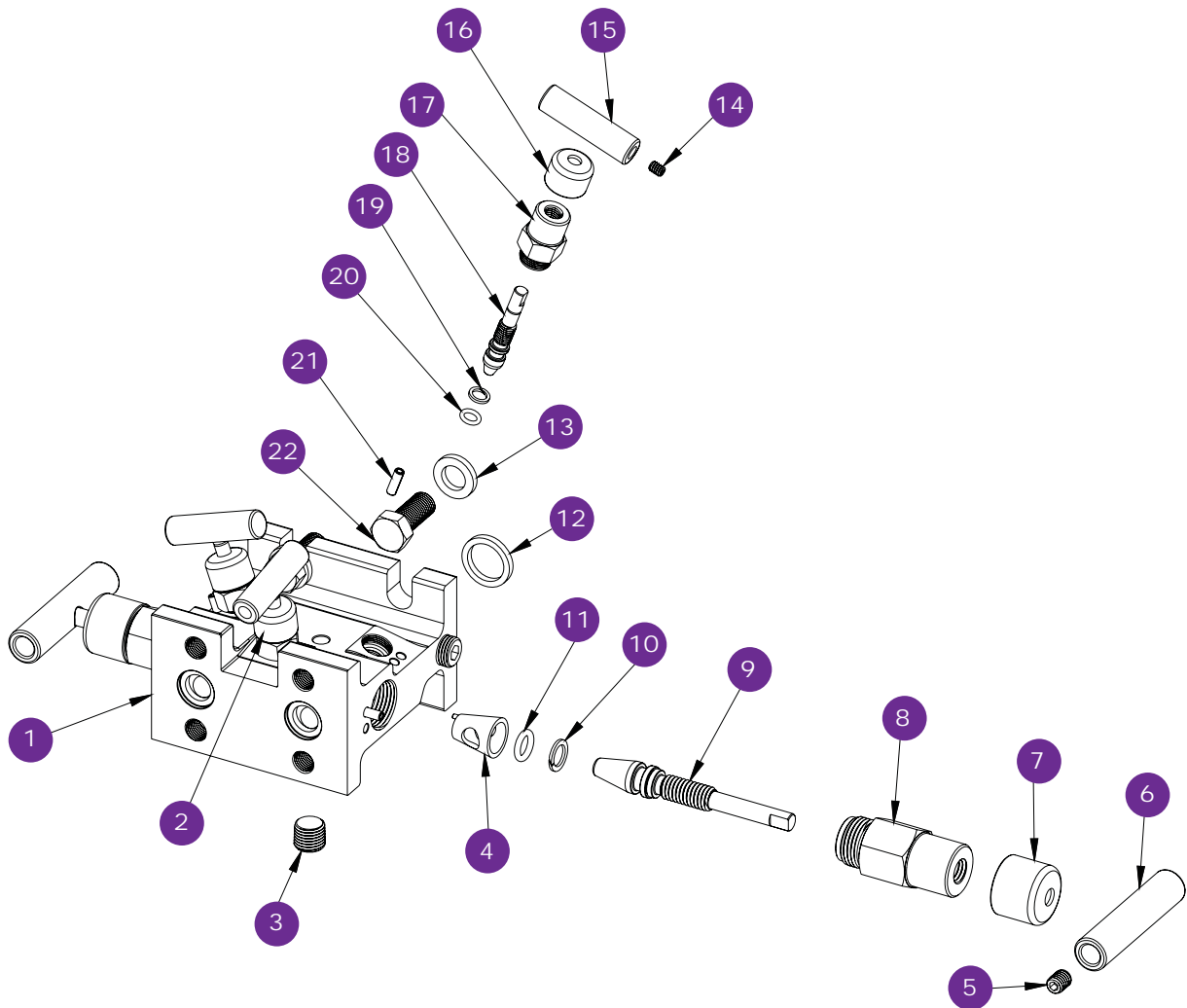


Front View



Side View





- | | |
|-----------------------------|--------------------------|
| 1 Flare Pattern™ valve body | 12 Gasket ring |
| 2 Red dust cap | 13 Washer |
| 3 Plug | 14 Set screw |
| 4 Delrin® seat | 15 Mini valve "T" handle |
| 5 Set screw | 16 Green dust cap |
| 6 Valve "T" handle | 17 Mini valve bonnet |
| 7 Blue dust cap | 18 Soft tip stem |
| 8 Valve bonnet | 19 PTFE back-up ring |
| 9 Non-rotating stem | 20 FKM o-ring |
| 10 PTFE back-up ring | 21 Slotted spring pin |
| 11 FKM o-ring | 22 Head bolt |